

Stockholm

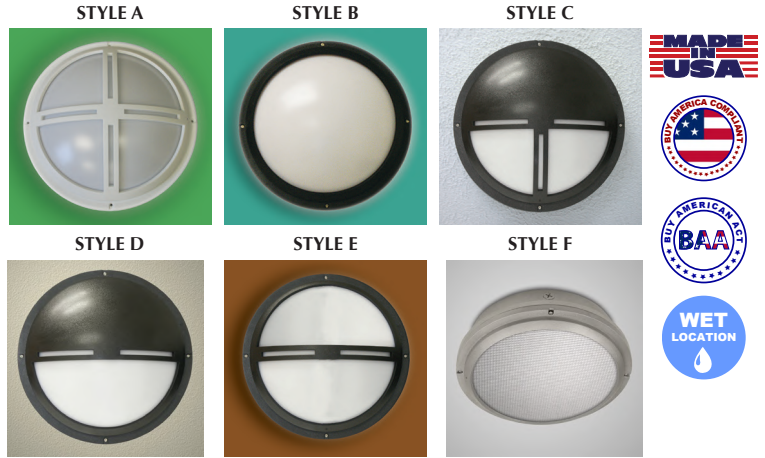
EURO WALL PACK FAMILY Surface Mount High Abuse Series

We reserve the right to revise the design or components of any product without notice.

CATALOG #		TYPE
PROJECT/LOCATION		
APPROVED BY		

SPECIFICATIONS

- DIFFUSER — Opal White Injection Molded Polycarbonate standard. Optional Ribbed Frosted Opal Lens (RF).
- DRIVER — Universal Voltage 120/277v Electronic Driver with 0-10V dimming.
- EMERGENCY — LED (Remote Only).
- FASTENERS — (4) Stainless steel tamperproof Torx screws to secure lens to backplate.
- FINISH— Extremely durable oven baked Polyester Powder Coat is Standard. Finishes include Black, Bronze or White.
- GASKETING — One Piece Die Cut 3/16" Thick Black EPDM.
- HOUSING — Marine Grade cast aluminum.
- LIGHT ENGINE — Energy Efficient Light Emitting Diode (LED).
- MOUNTING HOLES — (4) 5/16" Diameter Holes for 1/4" Diameter Bolts.
- COMPLIANCE — Built to comply with U.S. and Canadian Safety Standards. Suitable for Wet Locations.



ORDERING INFORMATION

Series	Style	Mounting	Wattage	CCT	Voltage	Finish	Options
ORDERING GUIDE:							

SERIES

- SK-S** = Stockholm Shallow Casting Series
 - 4" Depth ADA Compliant
 - Not for Use with Side Conduit Entry
- SK-M** = Stockholm Mid-Depth Casting Series
 - 6.5" Depth

STYLE

- A** = Style A: with Cage
- B** = Style B: no Cage
- C** = Style C: Eyelid with Vertical Bar
- D** = Style D: Eyelid
- E** = Style E: Horizontal Bar
- F** = Style F: Flat Lens
 - Ceiling Mount is Dark Sky Compliant

MOUNTING

- BLANK** = Surface Mount (Standard)
- SR** = Semi-Recessed (SK-M Only)

LED WATTAGE

Refer to Below Chart for Size/Wattage Compatibility
LED(xx) = LED (xx = Wattage, ex: LED25)

LED COLOR TEMPERATURE (CCT)

- 3K** = ±3000K range
- 35K** = ±3500K range
- 4K** = ±4000K range
- 5K** = ±5000K range

VOLTAGE

- 347** = 347 Volts
- UNV** = Universal Volt (120-277v) Driver
- 2UNV** = Two 120/277v Electronic Drivers

FINISH

- BK** = Black Finish
- BZ** = Bronze Finish
- SGR** = Silver Gray
- WH** = White Finish
- +NAT** = Epoxy Coating for Natatorium
 - Includes Conformal Coating of LEDs
- CC** = Custom Color (Visit www.ralcolor.com)

LENS OPTIONS

- FRO** = Frosted Opal Lens (Standard)
- FLO** = Flat Opal White Flat Lens for Style F (SK-M Only)
- FLP** = Flat Prismatic Clear Lens for Style F (SK-M Only)
- RF** = Ribbed Frosted Opal Lens

DIMMING OPTIONS

- Note: 0-10V 100%-30% is Standard**
- D7A** = 0-10VDC LED Dimming Driver (100-10%)
- D7B** = 0-10VDC LED Dimming Driver (100-1%)

CONTROL OPTIONS

- Note: See Accessory Options for Required Remote Controller**
- 9328** = Photocell Button (120/277V)
 - Compatible with SK-M Only
- OCC** = Occupancy Sensing | Motion Sensor Integral[Ⓢ]
 - Microwave / Single Feed / 120/277V Only
 - Standby Dim Level Presets: ON/OFF (0%/100%)
- BLS** = Bi-Level Switching — Using 2 Drivers (2UNV)

MISC OPTIONS

- FUS** = Single Fusing
- DFUS** = Double Fusing
- SG** = 10KA Surge Protection (ANSI spec. C62.41.2)
 - Compatible with SK-M Only

EMERGENCY BATTERY OPTIONS^{Ⓢ Ⓢ Ⓢ}

No onsite Emergency Power (AC or DC) is provided

- REL-GTD1** = Remote Generator Transfer Device (Signify)
- REL-GTD2** = Remote Generator Transfer Device (LGTD)
 - Shunt Relay w/Fire Alarm Override Input

Meets California Energy Commission Title 20:
(CEC-400-2014-009-CMF) Efficiency Standards

***Note: Compatible with SK-M Only**

- *EL4W** = Integral LED 4 Watt
- *EL8W** = Integral LED 8 Watt
- *EL16W** = Integral LED 16 Watt

- REL4W** = Remote LED 4 Watt
- REL8W** = Remote LED 8 Watt
- REL16W** = Remote LED 16 Watt

Cold Weather Emergency Batteries:

Operating Temp: -20°C thru 50°C
NON-CEC Compliant

- REL10W-CW** = Remote LED 10 Watt (Cold Weather)

ACCESSORY OPTIONS (order as a separate line)

- 9002** = Tamperproof Screwdriver
- REMT** = Remote Controller for Sensor Options

NOTES:

- [Ⓢ] Max mounting height of fixture is 10' (10 feet).
- [Ⓢ] Ribbed Clear Lens with LED lamping should be used only with cage Style "C" or "D" if wall mounted.
- [Ⓢ] Max WHIP length with the REL provided by the factory is 8 feet.
- [Ⓢ] Final selection of the Battery Pack under discretion of Factory.
- [Ⓢ] Integral Emergency Battery available on 30W MAX Fixtures.

Fixture	STOCKHOLM Shallow (SK-S)		STOCKHOLM Mid-Depth (SK-M)	
Dimensions - W x H x D	13 3/4" Diameter x 4" Depth (ADA)		13 3/4" Diameter x 6 1/2" Depth	
Light Emitting Diode	LED	15W / 25W	25W / 30W [Ⓢ] / 40W / 50W	

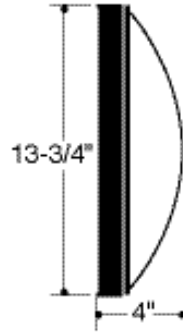
Stockholm

EURO WALL PACK FAMILY Surface Mount High Abuse Series

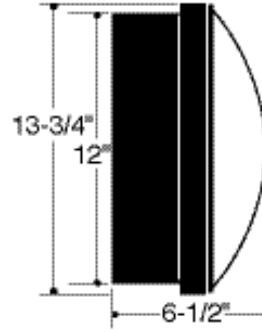
We reserve the right to revise the design or components of any product without notice.

CATALOG #		TYPE
PROJECT/LOCATION		
APPROVED BY		

DIMENSIONS



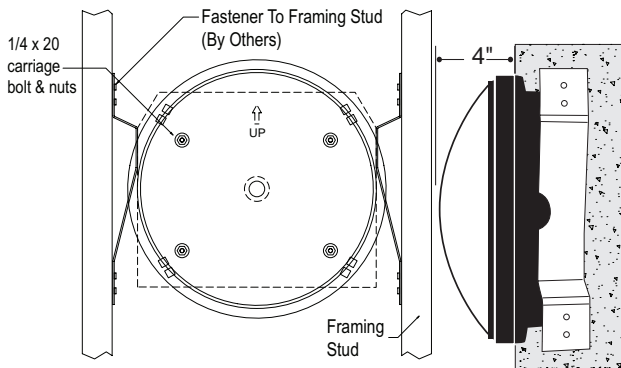
Shallow (SK-S)



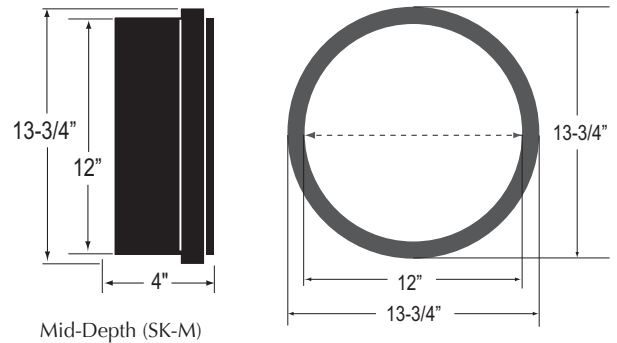
Mid-Depth (SK-M)

OPTIONS

Shown with Semi-Recessed Option (SR)



Shown with Flat Lens (Style F) — Ceiling Mount is Dark Sky Compliant



LUMENS

LED Watts vs. LED Color Temp — Lumen Output for ROUND Lens				
Color Temp (CCT)	3000K (3K)	4000K (4K)	5000K (5K)	6500K (65K)
15 Watt	1351 Lms	1427 Lms	1493 Lms	1502 Lms
25 Watt	2026 Lms	2141 Lms	2239 Lms	2252 Lms
30 Watt	2702 Lms	2855 Lms	2985 Lms	3003 Lms
40 Watt	3474 Lms	3670 Lms	3838 Lms	3861 Lms
50 Watt	4053 Lms	4282 Lms	4478 Lms	4505 Lms

NOTE: Lumen Output listed is estimated based upon delivered lumens at 25°C. See Lumen Ambient Temperature Multipliers Table to determine lumen output for other ambient temps.

LED Watts vs. LED Color Temp — Lumen Output for FLAT Lens				
Color Temp (CCT)	3000K (3K)	4000K (4K)	5000K (5K)	6500K (65K)
15 Watt	1446 Lms	1527 Lms	1597 Lms	1607 Lms
25 Watt	2168 Lms	2291 Lms	2396 Lms	2410 Lms
30 Watt	2891 Lms	3054 Lms	3194 Lms	3213 Lms
40 Watt	3717 Lms	3927 Lms	4107 Lms	4131 Lms
50 Watt	4337 Lms	4582 Lms	4791 Lms	4820 Lms

NOTE: Lumen Output listed is estimated based upon delivered lumens at 25°C. See Lumen Ambient Temperature Multipliers Table to determine lumen output for other ambient temps.

Lumen Ambient Temperature (LAT) Multipliers						
Ambient Temp	0°C / 32°F	10°C / 50°F	20°C / 68°F	25°C / 77°F	30°C / 86°F	40°C / 104°F
Lumen Multiplier	1.05	1.03	1.01	1.00	0.99	0.96

NOTE: Use these multipliers to determine relative lumen output for average ambient temps for 0-40°C (32-104°F).

Projected LED Lumen Maintenance				
Operating Hours	0 Hrs	25,000 Hrs	50,000 Hrs	100,000 Hrs
Lumen Maintenance Factor	1.0	0.97	0.95	0.90

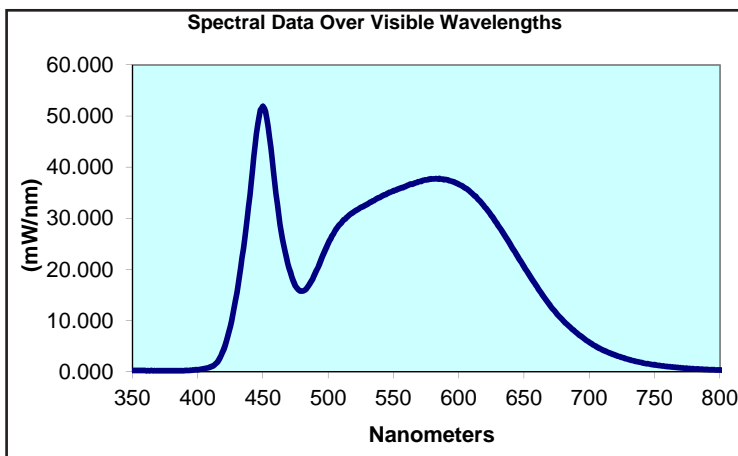
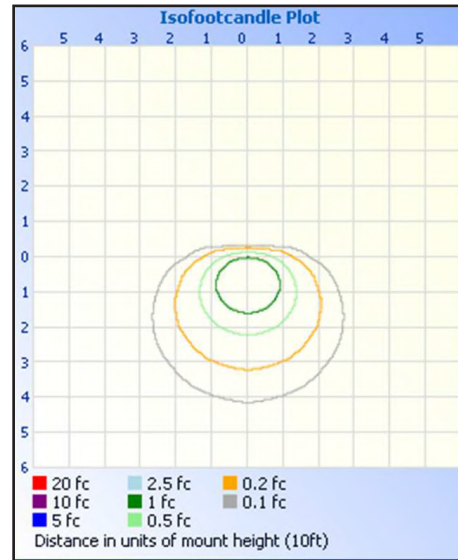
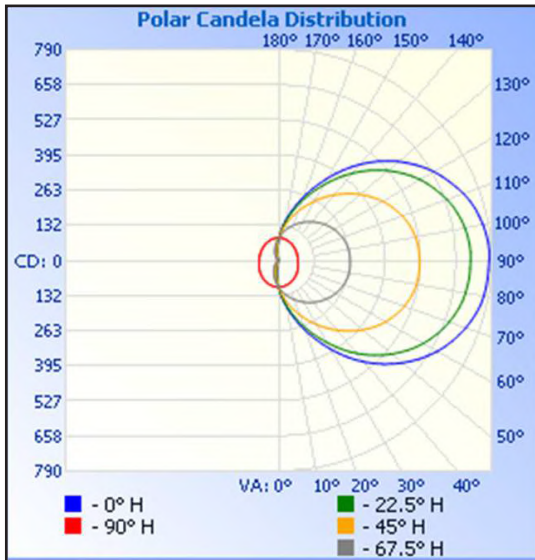
Tested in accordance with LM-79-80
The results contained in this summary report pertain only to the tested sample

Electrical Test Conditions						
Temp	Voltage	Current	Power	Power Factor	Current THD	BUG Rating
25°C (±1°C)	120	387.7mA	45.84	0.985	8.91%	B0-U4-G3

Summary of Results	
Total Lumen Output	2601
Efficacy (Lm/W)	56.74
CRI	85.7
CCT	4937
Duv	0.001

Zonal Lumen Summary		
Zone	Lumens	% Luminaire
0-30	101.9	4.1
0-40	200.1	8.0
0-60	529.4	21.1
60-90	746.8	29.8
0-90	1276	50.9
90-180	1230	49.1
0-180	2506	100.0

Chromaticity Coordinates	
Chromaticity (x)	0.347
Chromaticity (y)	0.354
Chromaticity (u')	0.212
Chromaticity (v')	0.486



Test Date: 08/10/2016

Tested in accordance with LM-79-80
The results contained in this summary report pertain only to the tested sample

Summary of Results	
Total Lumen Output	3249
Efficacy (Lm/W)	71.02
CRI	84.6
CCT	5114
Duv	0.000

Zonal Lumen Summary		
Zone	Lumens	% Luminaire
0-30	32.8	1.1
0-40	105.3	3.4
0-60	477.4	15.4
60-90	1056	34.1
0-90	1533	49.6
90-180	1560	50.4
0-180	3093	100.0

Chromaticity Coordinates	
Chromaticity (x)	0.342
Chromaticity (y)	0.349
Chromaticity (u')	0.210
Chromaticity (v')	0.483

Electrical Test Conditions						
Temp	Voltage	Current	Power	Power Factor	Current THD	BUG Rating
25°C (±1°C)	120	386.9mA	45.75	0.985	8.89%	B0-U5-G3

