

# WM-BS Series

## Vandal Resistant Wall Pack Luminaire Field Selectable Wattage/CCT/Beam Angle Wet Location

We reserve the right to revise the design or components of any product without notice.

CATALOG #		TYPE
PROJECT/LOCATION		
APPROVED BY		

### SPECIFICATIONS

- BEAM ANGLE — Field Selectable Beam Angle: 0°, 15°, 30°, 45°
- DRIVER — Universal Volt 120/277V electronic driver.
- EMERGENCY — Optional 8W Emergency Battery is available.
- FINISH — Weatherproof polyester powder coated finish.
- HOUSING — Die-cast aluminum, corrosion-resistant housing which conducts heat for optimal thermal management. Housing is fully-sealed which prevents moisture and external elements from contaminating the internal components.
- LENS — Durable borosilicate glass lens design provides optimal light distribution and uniformity.
- LIGHT ENGINE — Energy efficient LED - Field Selectable Wattage / CCT (50,000hr LED Lifespan)
- OPERATING TEMPERATURE — -40°C to 40°C / -40°F to 104°F.
- MOUNTING — Wall mounts to J-BOX via separate mounting plate.
- PHOTOCELL — Optional Photocell with On/Off switch is available.
- COMPLIANCE — Built to comply with U.S. and Canadian Safety Standards. UL/cUL Listed for Wet Locations.
- WARRANTY — 5-year Limited Warranty.



### ORDERING INFO

ORDERING GUIDE:	Series	Size	Wattage	CCT	Voltage	Finish	Options

#### SERIES

WM-BS = WM Watt/CCT/Beam Angle Selectable Series

#### SIZE

M = Medium: 14.2" Width x 9.3" Height x 8.1" Depth  
L = Large: 18" Width x 9.75" Height x 9.27" Depth

#### WATTAGE

Note: See Chart for Wattage/Lumen Output

SLED = \*Selectable LED Wattage  
— Medium: 24W | 36W | 48W | 60W  
— Large: 60W | 90W | 120W | 150W

#### COLOR TEMPERATURE (CCT)

SCCT = \*Selectable CCT: 3000K / 4000K / 5000K

\*Note: Fixtures will ship from factory at lowest wattage and warmest CCT. It is the installer's responsibility to set the fixture at the desired wattage and CCT for their project.

#### VOLTAGE

UNV = Universal Volt (120-277v) Driver

#### STANDARD FINISH

BK = Black Finish  
BZ = Bronze Finish  
WH = White Finish

#### PHOTOCELL OPTION

PHOT = Photocell (On/Off Switch)

#### SENSOR OPTIONS

PIR = PIR Sensor  
— Plug & Play Unit  
— 10-15VDC  
— 5min Hold | 30min Standby at 30% Dim  
— Daylight Disabled  
PIR-B = PIR - Bluetooth® Enabled Sensor  
— Plug & Play Unit

#### EMERGENCY BATTERY OPTION

EL8W = Integral Emergency LED Battery 8 Watt  
— 900 Lumens  
— 90 Minute Backup Time  
— Operating Temp: 10°C to 40°C / 50°F to 104°F

Size Model	Setting	System Wattage	CRI	Lumens (3000K)	LPW (3000K)	Lumens (4000K)	LPW (4000K)	Lumens (5000K)	LPW (5000K)
Medium	Level 1	60W	80	8,400lm	140 lm/W	8,900lm	148 lm/W	8,600lm	143 lm/W
	Level 2	48W	80	7,100lm	148 lm/W	7,500lm	156 lm/W	7,300lm	152 lm/W
	Level 3	36W	80	5,600lm	156 lm/W	6,000lm	167 lm/W	5,700lm	158 lm/W
	Level 4	24W	80	3,900lm	163 lm/W	4,200lm	175 lm/W	4,000lm	167 lm/W
Large	Level 1	150W	80	20,000lm	133 lm/W	22,000lm	147 lm/W	21,000lm	140 lm/W
	Level 2	120W	80	16,500lm	138 lm/W	18,500lm	154 lm/W	17,500lm	146 lm/W
	Level 3	90W	80	13,000lm	144 lm/W	14,500lm	161 lm/W	13,800lm	153 lm/W
	Level 4	60W	80	9,000lm	150 lm/W	10,000lm	167 lm/W	9,600lm	160 lm/W

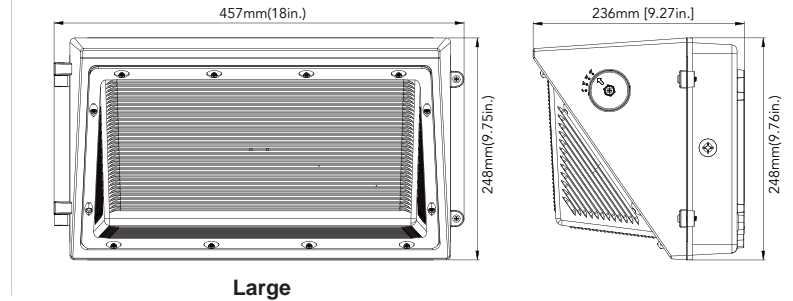
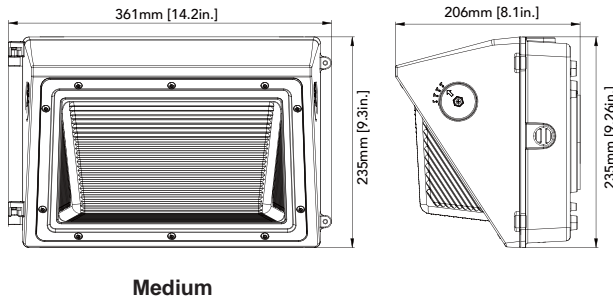
Note: Lumens and LPW shown are based on 45° Beam Angle.

# WM-BS Series

**Vandal Resistant Wall Pack Luminaire**  
**Field Selectable Wattage/CCT/Beam Angle**  
**Wet Location**

CATALOG #		TYPE
PROJECT/LOCATION		
APPROVED BY		

## DIMENSIONS

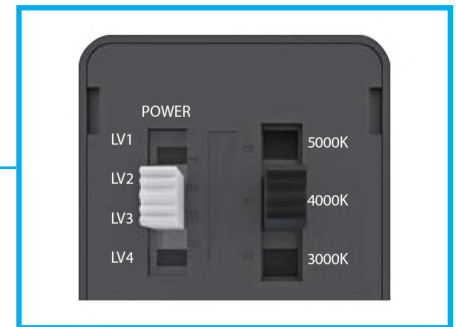
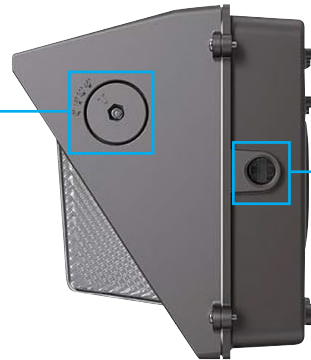
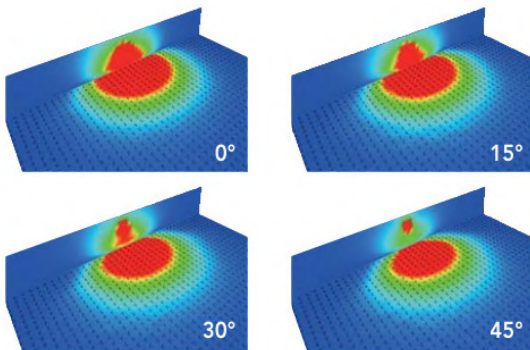


## SELECTABLE WATTAGE / CCT / BEAM ANGLE CONTROLLER

### Selectable Beam Angle

Located on the side of the fixture with a simple to use rotating dial.

Allows the user to adjust the beam angle to four settings without a third-party service.

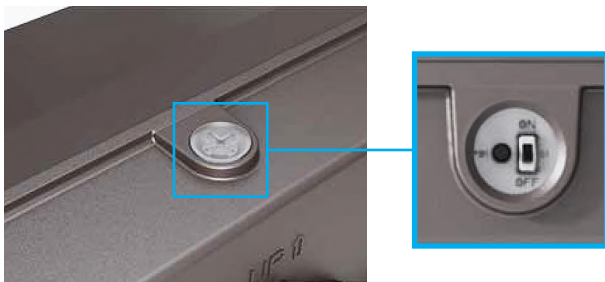


### Selectable Wattage / CCT Controller

Located on the side of the fixture with easy access through the removable screw plug.

Allows the user to make adjustments to the wattage and CCT via the dip switches in the field without a third-party service.

## OPTIONS



### Optional Photocell

Located on top of the fixture with easy access through the removable screw plug.

Allows the user to enable or disable the photocell by adjusting the dipswitch in the field without a third-party service.



### Optional PIR Sensor

Standard PIR Sensor or  
**Bluetooth® Enabled PIR Sensor**  
 Plug-and-Play Installation



### Optional Emergency Battery

8 Watt, 900 Lumens for 90min