

CM833

Vandal Resistant Fixture Ceiling/Wall Mount LED

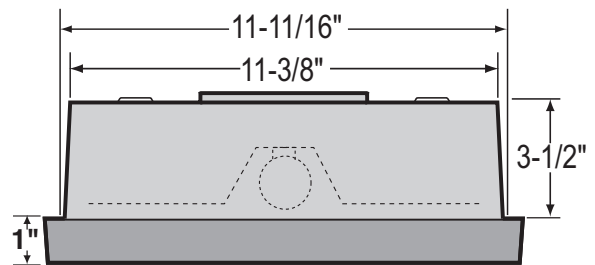


We reserve the right to revise the design or components of any product without notice.

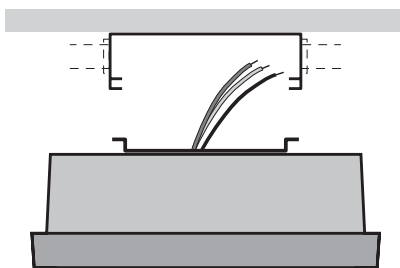
CATALOG #		TYPE
PROJECT/LOCATION		
APPROVED BY		

SPECIFICATIONS

- DRIVER — Universal Voltage 120/277V Electronic Driver with 0-10V dimming is standard.
- EMERGENCY — Remote or Integral Emergency Battery (LED).
- GASKETING — High temp., non-aging black EPDM and/or neoprene rubber concealed in housing pocket & enclosed by cast-in drip shield & rear wire entrance hole to protect against outside contaminants.
- HOUSING — Heavy wall cast aluminum with wire access on four sides and back through threaded 1/2" conduit size entrance holes. Bronze oven baked Polyester Powder Coat.
- LIGHT ENGINE — Energy Efficient Light Emitting Diode (LED).
- LENS — .156" thick K12 Prismatic Polycarbonate with internal collector prisms and external refractor prisms for high efficiency and low brightness.
- LENS FASTENERS — Stainless steel tamperproof screws (4) to secure lens in place.
- MOUNTING HOLES — 4-Point Mount: (4) 5/16" Diameter Holes For 1/4" Diameter Bolts. For Backbox (BB) option, Carriage Bolts must be used.
- REFLECTOR — .032 textured aluminum for high efficiency and reduce arc tube voltage rise.
- COMPLIANCE — Built to comply with U.S. and Canadian safety standards. Suitable for wet locations. **Made in USA / Buy America Compliant / Buy American Act.**

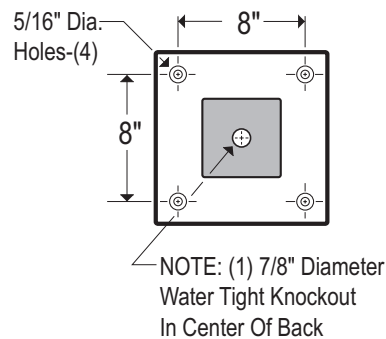


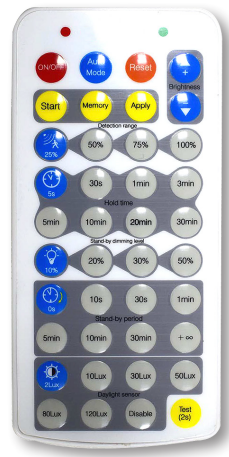
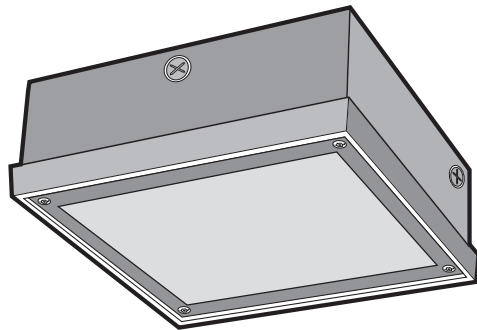
MOUNTING OPTIONS



Optional
Rapid Mount Box (RMB)

MOUNTING DIMENSIONS





Wireless Remote Control (REMT0008)
For Use with Motion Sensor Options

ORDERING GUIDE:	Series	LED Wattage	CCT	Voltage	Finish	Options

SERIES

CM833 = CM833 Series (12" x 12" x 4 1/2")

LED WATTAGE

Lumen Efficacy: 150 Lumens Per Watt (Nominal)

- LED30 = 30 Watt LED
- LED40 = 40 Watt LED
- LED50 = 50 Watt LED

LED COLOR TEMPERATURE (CCT)

- 3K = ±3000K range LED
- 4K = ±4000K range LED
- 5K = ±5000K range LED

VOLTAGE

- 347 = 347 Volts
- UNV = Universal Volt (120-277v) Electronic Driver

FINISH

- BK = Black Finish
- BZ = Bronze Finish — Standard
- PNA = Painted Natural Aluminum
- SGR = Silver Gray
- WH = Textured White
- CC = Custom Color (Visit www.ralcolor.com)

LENS OPTIONS

- 81 = .156" K12 Prismatic Polycarbonat (STANDARD)
- 85 = .156" Clear Tempered Glass

CONTROL OPTIONS

- 9328 = Photocell Button (120/277V)
- OCC = Occupancy Sensing | Motion Sensor Integral²⁰
 - Microwave / Single Feed / 120/277V Only
 - Standby Dim Level Presets: ON/OFF (0%/100%)
- BLD = Bi-Level Dimming | Motion Sensor Integral²⁰
 - Microwave / Single Feed / 120/277V Only
 - Standby Dim Level Presets:
 - 10% / 20% / 30% (Standard) / 50%
- BLD/AMB = Bi-Level Dimming | Motion Sensor Integral²⁰
 - Ambient Light Sensing Feature (AMB)
 - Microwave / Single Feed / 120/277V Only
 - Standby Dim Level Presets:
 - 10% / 20% / 30% (Standard) / 50%
 - Bi-Level Control Initiated at AMB Light Level Preset
- BLS = Bi-Level Switching - Using 2 Drivers (2UNV)
- REMT0008= Wireless Remote Control
 - For use with Motion Sensor Options

MISC OPTIONS

- FUS = Single Fusing
- DFUS = Double Fusing
- RMB = Rapid Mount "J" Box
- SG = 10KA Surge Protection (ANSI spec C62.41.2)
- TP = Tamperproof Screws

EMERGENCY / BATTERY OPTIONS^{1 3 5}

No onsite Emergency Power (AC or DC) is provided

- GTD1 = Generator Transfer Device (Signify)
- GTD2 = Generator Transfer Device (LGTD)
 - Shunt Relay w/Fire Alarm Override Input

Meets California Energy Commission Title 20:

- (CEC-400-2014-009-CMF) Efficiency Standards
- EL8W = Integral LED 8 Watt
- EL16W = Integral LED 16 Watt

- REL8W = Remote LED 8 Watt
- REL16W = Remote LED 16 Watt
- REL20W = Remote LED 20 Watt

Cold Weather Emergency Batteries:

Operating Temp: -20°C thru 50°C
NON-CEC Compliant

- EL10W-CW = Integral LED 10 Watt (Cold Weather)
- REL10W-CW = Remote LED 10 Watt (Cold Weather)

ACCESSORY OPTIONS (order as a separate line)

- 9002 = Tamperproof Screwdriver

NOTES:

- 1 Consult Factory with requests regarding LED color temp., wattages or voltages not shown.
- 3 Consult Factory for additional Emergency Battery options not shown.
- 20 Max mounting height of fixture with Motion Sensor is 18' feet.
- 50 Max WHIP length provided by the Factory with the REL (LED) is 8 feet
- 55 Due to form and fit, final selection of the Battery Pack under discretion of Factory.