

138

Wall Mount Polycarbonate Entry Light

Indoor / Outdoor Locations

IP65 / ADA Compliant

We reserve the right to revise the design or components of any product without notice.

CATALOG #		TYPE
PROJECT/LOCATION		
APPROVED BY		

SPECIFICATIONS

- APPLICATIONS — Retail Centers, Industrial Parks, Schools & Universities, Public Transit, Airports, Office Buildings, Medical Facilities.
- DRIVER — Universal Voltage (120/277v), 50/60Hz Electronic Driver. Non-Dimmable.
- FINISH — UV-Stabilized Polycarbonate Front Housing in Black with White Powdercoat Finish Back Plate.
- HOUSING — Die-cast Aluminum Back Plate with Molded UV-Stabilized Polycarbonate Front Housing.
- LENS — UV-Stabilized Opal Polycarbonate Vandal Resistant Lens.
- LIGHT ENGINE — Energy efficient LED designed to replace HID lighting systems.
- MOUNTING — Mounts directly over a 4" Recessed Outlet Box.
- PHOTOCCELL — 120/277V Photocell Included.
- OPERATING TEMP — -40°C to +40°C / -40°F to 104°F
- COMPLIANCE — Built to comply with U.S. and Canadian safety standards. CSA listed for Wet Locations. ANSI/UL 1598, 8750. IP65 Sealed LED Compartment. ADA Compliant.
- WARRANTY — 5-Year Limited Warranty.



ORDERING INFO

Series	Wattage	CCT	Voltage	Finish	Options
ORDERING GUIDE:					

SERIES

138 = 138 Series

WATTAGE

LED11 = 11 Watt LED

COLOR TEMPERATURE (CCT)

4K = ±4000K range (80CRI)

5K = ±5000K range (80CRI)

VOLTAGE

UNV = Universal Volt (120-277v) Driver

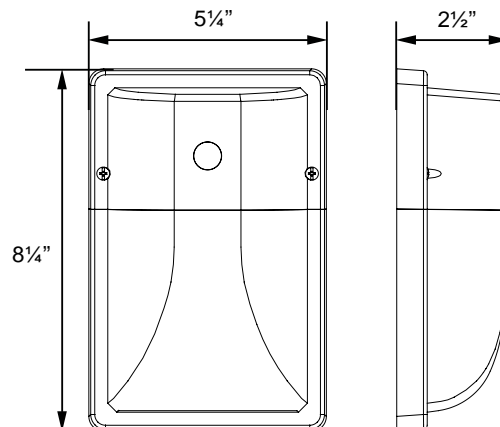
FINISH

BK = Black Finish

OPTIONS

CONSULT FACTORY

DIMENSIONS



138

Wall Mount Polycarbonate Entry Light

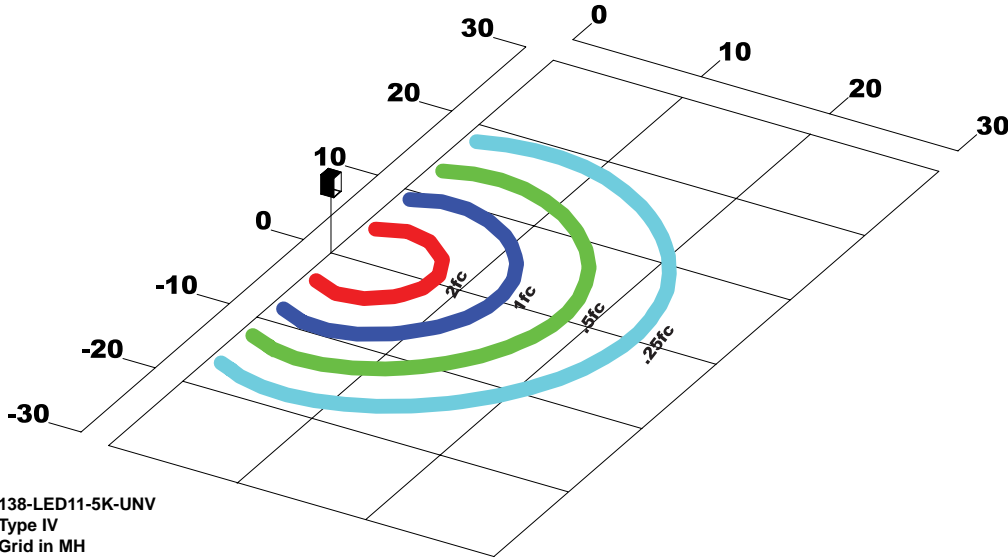
Indoor / Outdoor Locations

IP65 / ADA Compliant

We reserve the right to revise the design or components of any product without notice.

CATALOG #		TYPE
PROJECT/LOCATION		
APPROVED BY		

PHOTOMETRIC DATA



138-LED11-5K-UNV
Type IV
Grid in MH
MH = 10 Feet

PHOTOMETRIC PERFORMANCE

Led Wattage	Drive Current (mA)	Input Watts	Optics	5000K / 80 CRI				
				Lumens	LPW	B	U	G
11 Watt LED	170mA	14W	Type IV	1,490	107	0	3	2