

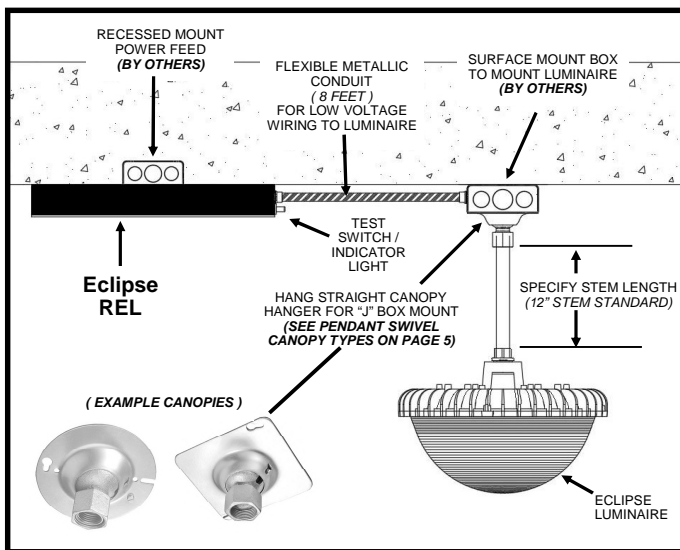
## READ THOROUGHLY BEFORE SELECTING MOUNTING TYPE

The REL is a surface mount only, emergency ballast backup system. The REL option can be used in numerous types of luminaire installations. The following illustrations demonstrate a variety of typical Eclipse REL installation options for parking garages and exterior outdoor applications.

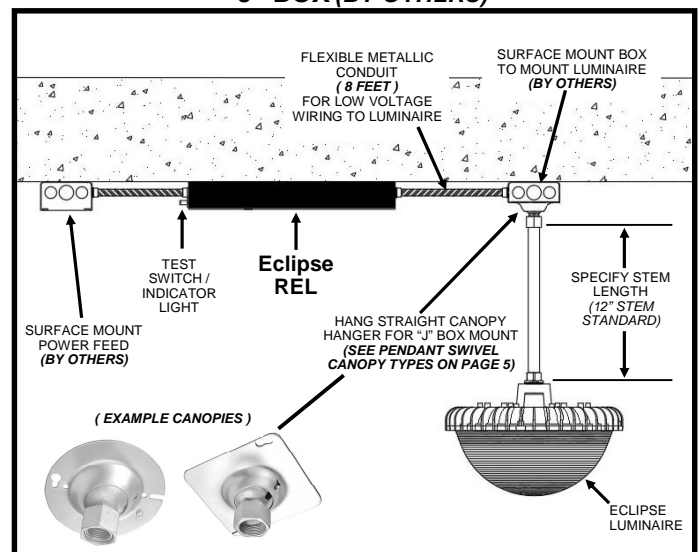
Note: REL is UL listed for DAMP locations only. Consult factory for application and installations issues.

REL's install with contractor supplied four (4) point mounting hardware. The below pictorials illustrate surface and recessed mounting methods with Eclipse luminaires. A contractor supplied Junction box or Eclipse Galileo series back box is required for installation of all REL's. Specifier and/or Contractor shall determine the correct installation method prior to ordering. REL's are supplied with 8' electrical whip.

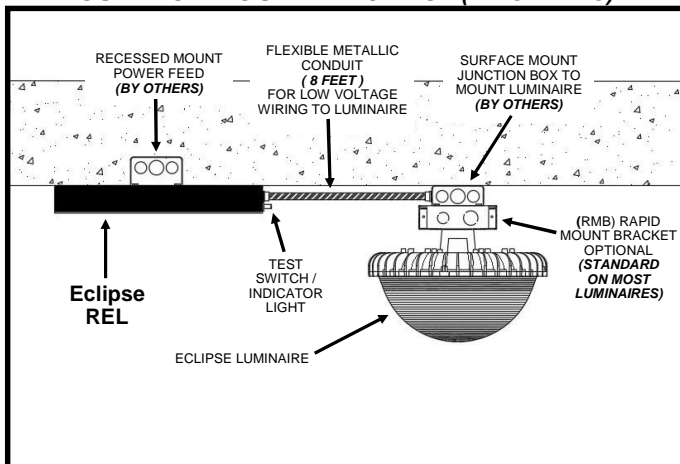
**REL MOUNTED OVER RECESSED "J" BOX, LUMINAIRE MOUNTED VIA HANGER OPTION**



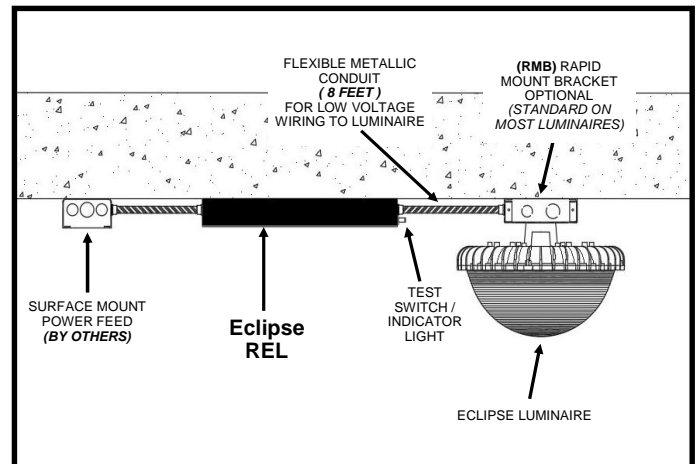
**REL POWERED THRU SURFACE MOUNTED "J" BOX, LUMINAIRE MOUNTED TO SURFACE MOUNTED "J" BOX (BY OTHERS)**



**REL MOUNTED OVER RECESSED "J" BOX, LUMINAIRE MOUNTED VIA (RMB) OPTION TO SURFACE MOUNTED "J" BOX (BY OTHERS)**



**REL POWERED THRU SURFACE MOUNTED "J" BOX, LUMINAIRE MOUNTED VIA (RMB) OPTION**



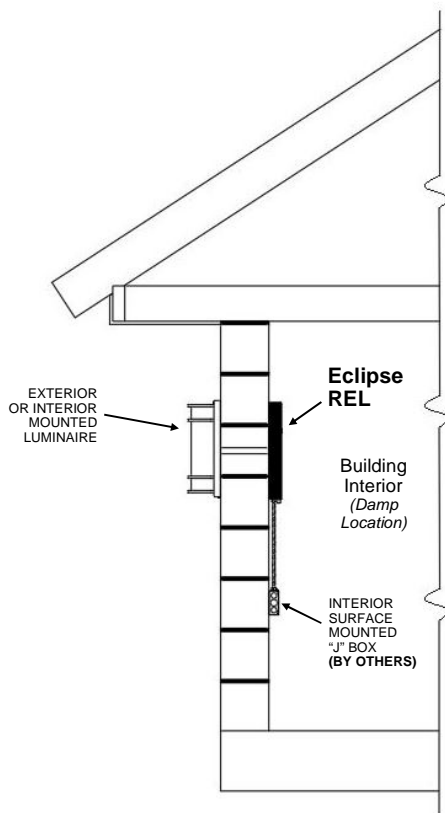
We reserve the right to revise the design or components of any product due to parts availability or change in UL standards, without assuming any obligation or liability to modify any products previously manufactured and without notice. This literature depicts a product DESIGN that is the SOLE and EXCLUSIVE PROPERTY of ECLIPSE LIGHTING, INC.—An Illinois Corporation. In compliance with U.S. COPYRIGHT and PATENT requirements, notification is hereby presented in this form that this literature, or the product it depicts, is NOT to be copied, altered or used in any manner without the express written consent of, or contrary to the best interests of, ECLIPSE LIGHTING, INC.—05/04/1994

## READ THOROUGHLY BEFORE SELECTING MOUNTING TYPE

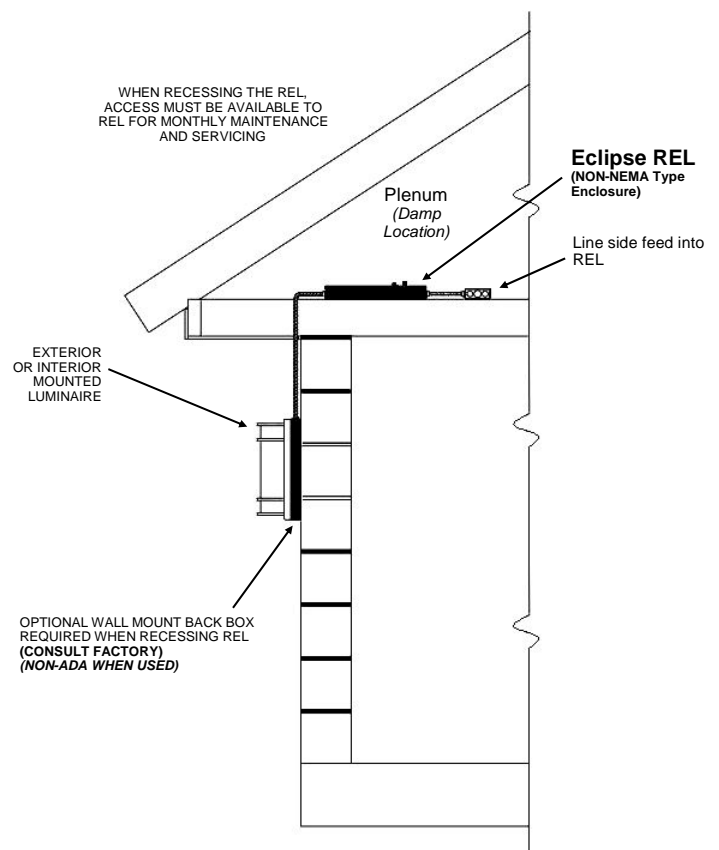
The REL is a surface mount only, emergency ballast backup system. The REL option can be used in numerous types of luminaire installations. The following illustrations demonstrate a variety of typical Eclipse REL installation options for parking garages and exterior outdoor applications. Note: REL is UL listed for DAMP locations only. Consult factory for application and installations issues.

### REL application with Galileo Series luminaires

**EXTERIOR WALL MOUNTED  
LUMINAIRE WITH INTERIOR REL**  
*(SHOWN WITH CINDER BLOCK  
EXTERIOR WALL)*




**EXTERIOR WALL MOUNTED  
LUMINAIRE WITH RECESSED REL**  
*(SHOWN WITH CINDER BLOCK  
EXTERIOR WALL)*

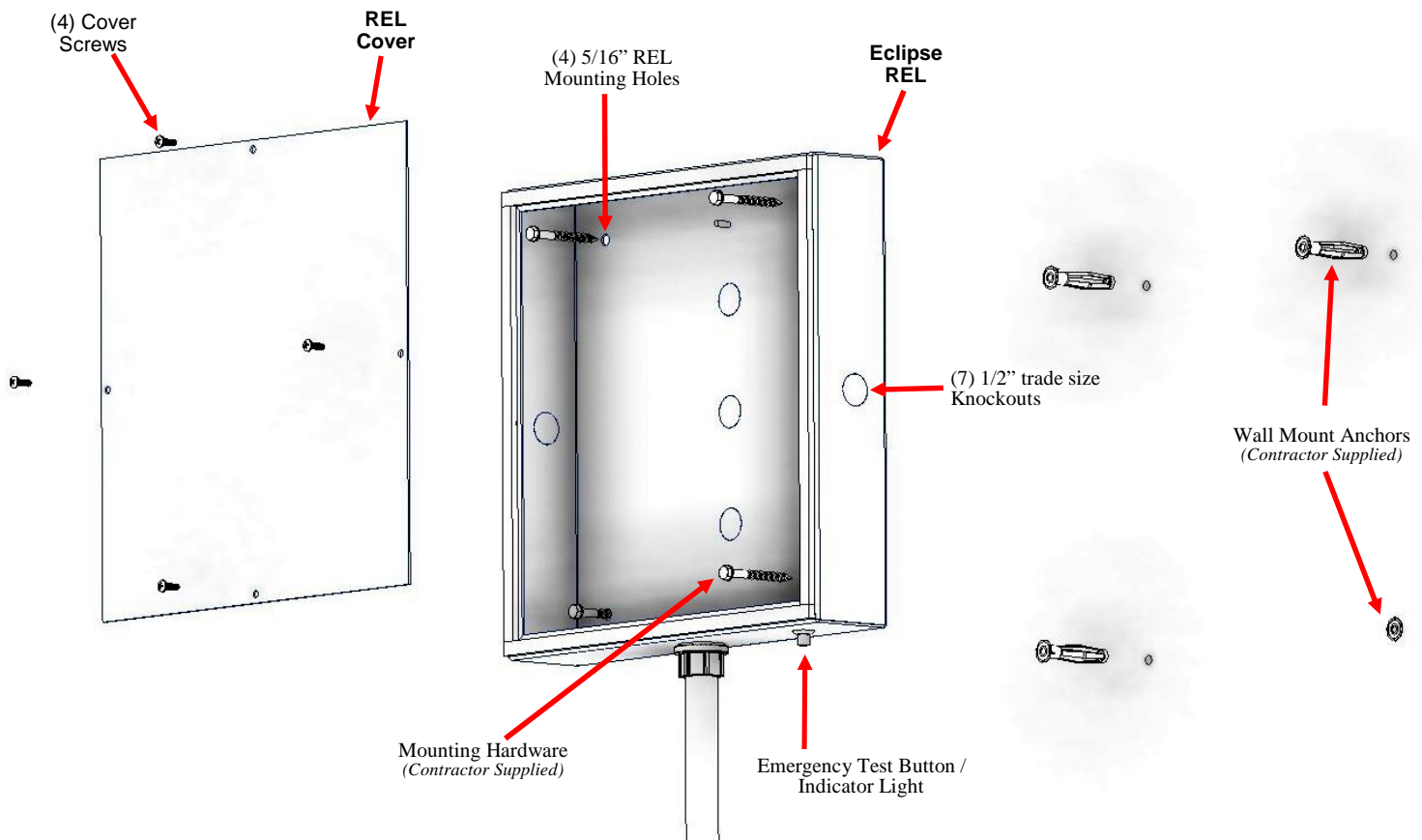


We reserve the right to revise the design or components of any product due to parts availability or change in UL standards, without assuming any obligation or liability to modify any products previously manufactured and without notice. This literature depicts a product DESIGN that is the SOLE and EXCLUSIVE PROPERTY of ECLIPSE LIGHTING, INC.—An Illinois Corporation. In compliance with U.S. COPYRIGHT and PATENT requirements, notification is hereby presented in this form that this literature, or the product it depicts, is NOT to be copied, altered or used in any manner without the express written consent of, or contrary to the best interests of, ECLIPSE LIGHTING, INC.—05/04/1994

### Installation Instructions

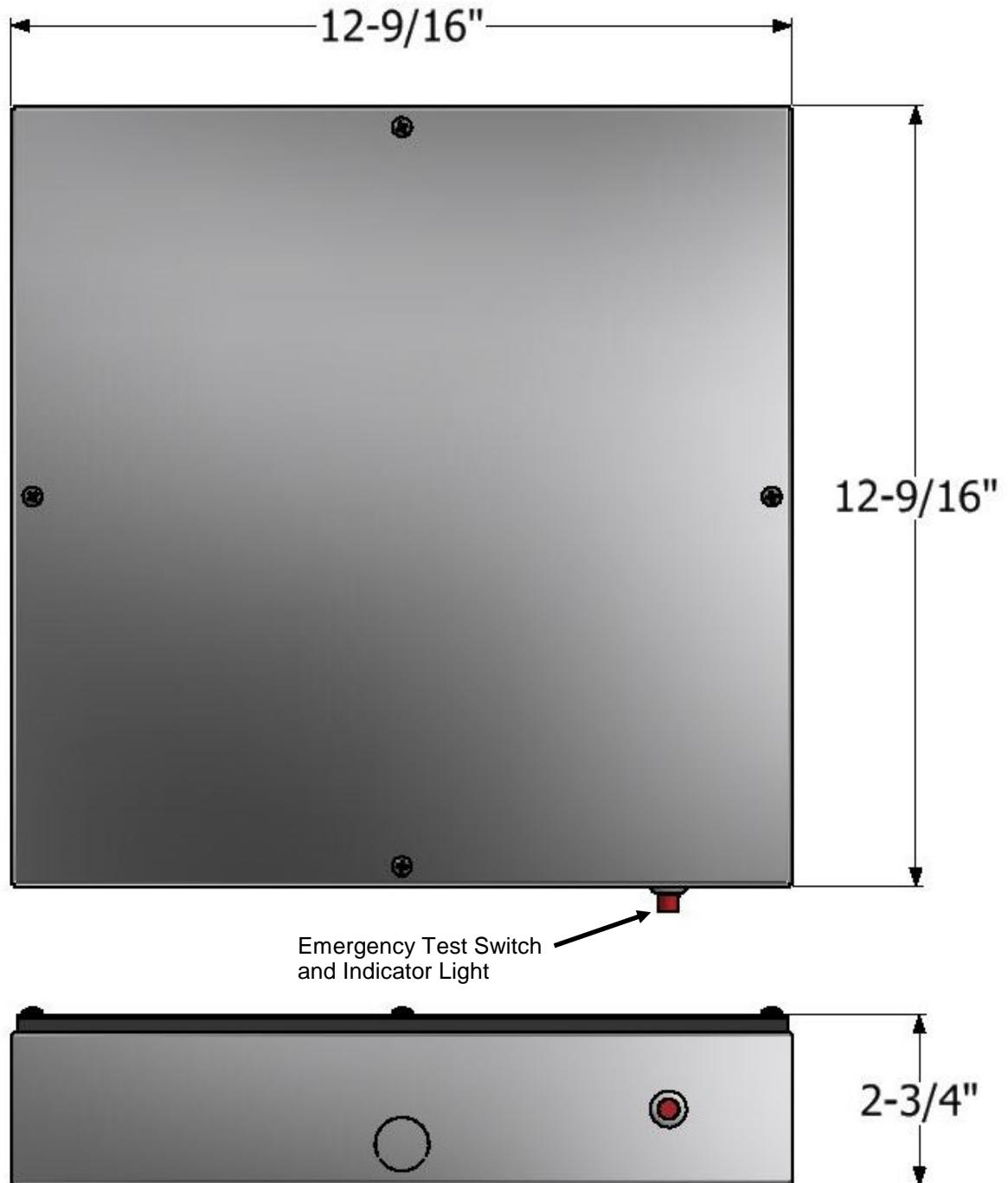
1. Remove four screws to release the cover from the REL, set aside.
2. Using the REL as a template for the mounting holes, place the REL on the mounting surface and mark the (4) hole locations. **Note:** *Installing contractor is responsible for the correct selection of wall mounting hardware that is suitable for the mounting surface. Contractor must use four point mount method as supplied by manufacturer. Four 5/16" mounting holes are provided in the REL box and all four must be utilized.*
3. Select the knock out to be used for line side power entry and remove it.
4. Verify that the supplied electrical whip properly reaches the luminaire and then install the REL box using contractor supplied hardware.
5. Install the line power conduit to the REL box and pull wire to box. NOTE: REL box is DAMP location rated and the use of water tight fittings is recommended by manufacturer.
6. Connect the supplied electrical whip to the junction box of the luminaire -or- directly to the luminaire itself via the surface mount back box. Using the supply WAGO lever nuts, connect the low voltage wiring to the LED modules. RED and BLUE wiring (positive to positive and negative to negative).
7. Locate the ORANGE 3-pole disconnect inside the REL box and wire the female end to line side wiring, (BLACK to BLACK, GREEN to GREEN and WHITE to WHITE), using the supplied WAGO lever nuts. **Note:** *If wiring to a wall switch, refer to the wiring diagram supplied with the emergency battery pack, supplied with the REL.)*
8.  Ensure that the wall REL box is properly grounded.
9. Connect the Test switch/Indicator Light connector(*located on the back of the cover plate*)to the emergency driver inside the REL box.
10. Reinstall the cover plate with the four original screws. You can now energize the luminaire.

*Final selection of Battery Pack under discretion of factory. Refer to manufacturers installation and operating instructions shipped with the luminaire. Contact factory for special requirements*



We reserve the right to revise the design or components of any product due to parts availability or change in UL standards, without assuming any obligation or liability to modify any products previously manufactured and without notice. This literature depicts a product DESIGN that is the SOLE and EXCLUSIVE PROPERTY of ECLIPSE LIGHTING, INC.—An Illinois Corporation. In compliance with U.S. COPYRIGHT and PATENT requirements, notification is hereby presented in this form that this literature, or the product it depicts, is NOT to be copied, altered or used in any manner without the express written consent of, or contrary to the best interests of, ECLIPSE LIGHTING, INC.—05/04/1994

## REL box dimensions

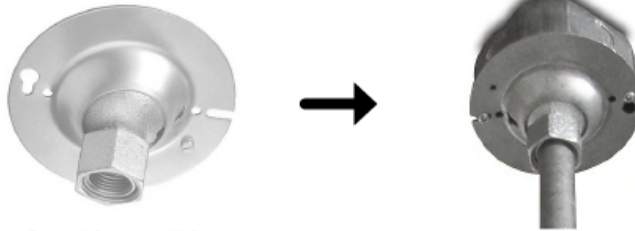


We reserve the right to revise the design or components of any product due to parts availability or change in UL standards, without assuming any obligation or liability to modify any products previously manufactured and without notice. This literature depicts a product DESIGN that is the SOLE and EXCLUSIVE PROPERTY of ECLIPSE LIGHTING, INC.—An Illinois Corporation. In compliance with U.S. COPYRIGHT and PATENT requirements, notification is hereby presented in this form that this literature, or the product it depicts, is NOT to be copied, altered or used in any manner without the express written consent of, or contrary to the best interests of, ECLIPSE LIGHTING, INC.—05/04/1994

## Swivel Canopies

Most Eclipse garage and commercial high bay luminaires can be ordered with swivel canopies. There are four different trade styles to choose from. Swivel canopy options can be found on all luminaire specification sheets that offer this mounting method. Consult factory for other mounting methods and types not shown on specification sheets. Below are the current swivel canopies offered.

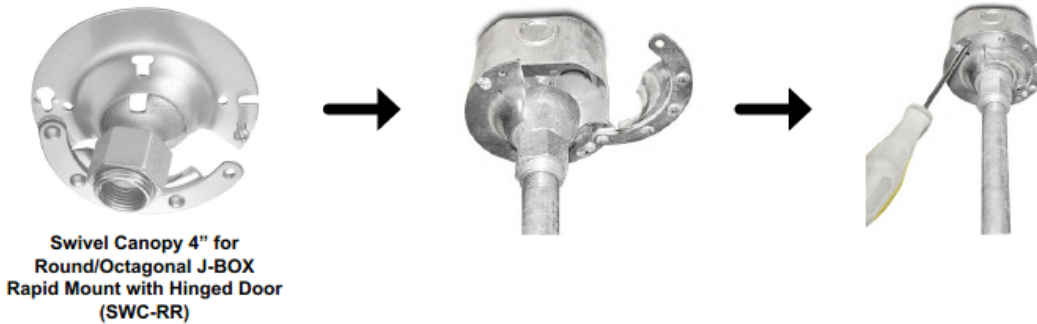
### PENDANT SWIVEL CANOPY TYPES



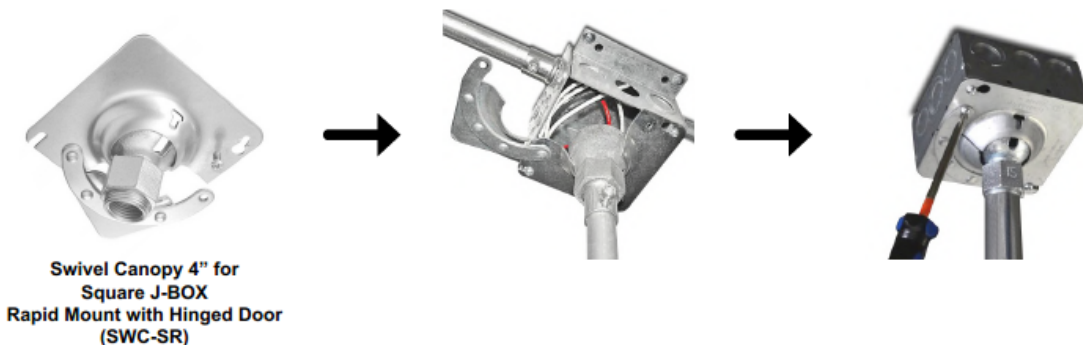
**Swivel Canopy 4" for Round/Octagonal J-BOX (SWC-R)**



**Swivel Canopy 4" for Square J-BOX (SWC-S)**



**Swivel Canopy 4" for Round/Octagonal J-BOX Rapid Mount with Hinged Door (SWC-RR)**



**Swivel Canopy 4" for Square J-BOX Rapid Mount with Hinged Door (SWC-SR)**

We reserve the right to revise the design or components of any product due to parts availability or change in UL standards, without assuming any obligation or liability to modify any products previously manufactured and without notice. This literature depicts a product DESIGN that is the SOLE and EXCLUSIVE PROPERTY of ECLIPSE LIGHTING, INC.—An Illinois Corporation. In compliance with U.S. COPYRIGHT and PATENT requirements, notification is hereby presented in this form that this literature, or the product it depicts, is NOT to be copied, altered or used in any manner without the express written consent of, or contrary to the best interests of, ECLIPSE LIGHTING, INC.—05/04/1994