

We reserve the right to revise the design or components of any product without notice.

# UVC-RM6S

**Recessed Downlight 6" LED / UVC Luminaire**  
**Selectable Wattage CCT**  
**Helps Eliminate Bacterial & Viral Threats**

CATALOG #		TYPE
PROJECT/LOCATION		
APPROVED BY		

## SPECIFICATIONS

- APPLICATIONS — Hospitals, Offices, Shopping Malls, Schools, Commercial Kitchens.
- AIR CIRCULATION VOLUME — 8.1CFM (45.3ft<sup>3</sup>/h)
- APPLICABLE AREA / VOLUME — 19.72ft / 51.22ft
- DISINFECTION MODES — 1: LED-ON/UVC-ON, 2: LED-ON/UVC-OFF, 3: LED-OFF/UVC-ON.
- DRIVER — Universal Voltage 120/277V electronic driver.
- FAN NOISE — 31.2dB (3.2ft distance)
- HOUSING — Die Aluminum housing.
- LAMPING — 10W White LED with Selectable CCT and 8W UV-C LED.
- LIFESPAN — >10,000 Hours UVC-LED
- MOUNTING — Recessed mount via torsion springs for replacement installations or mounting tabs for new embedded recessed installations.
- OPERATING TEMP — -10°C to 40°C / 14°F to 104°F
- COMPLIANCE — Built to comply with U.S. and Canadian safety standards. UL, FCC, CE, RoHS, FDA, and EPA Certified. **WARNING: Not listed for use in residential dwellings and living spaces.**
- WARRANTY — 2-year Limited Warranty.



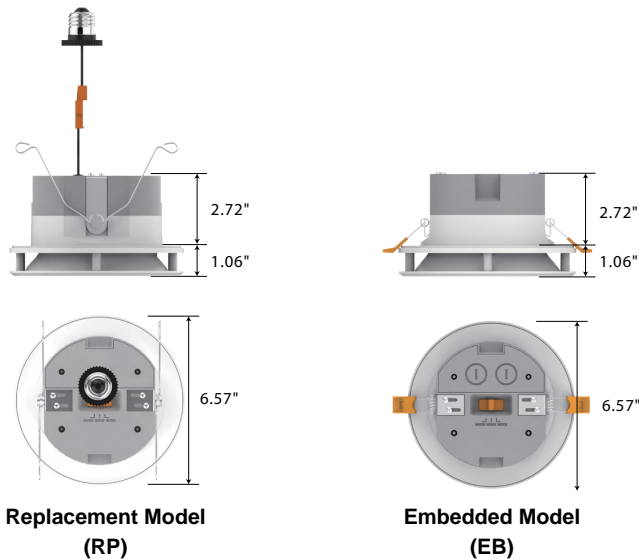
## ORDERING INFO

<b>ORDERING GUIDE:</b>	Series	Model Type	Wattage	CCT	Voltage

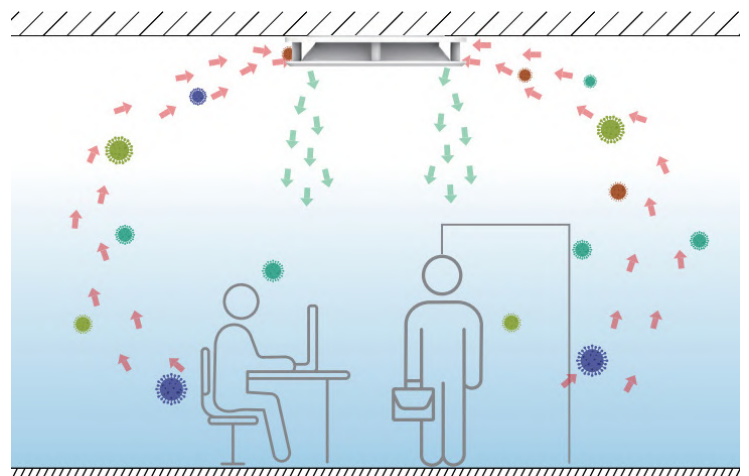
<b>SERIES</b> UVC-RM6S = Ultraviolet-C Recessed Mount 6" Series	<b>WATTAGE</b> LED10 = 10 Watt White LED	<b>VOLTAGE</b> UNV = Universal Volt (120-277v) Electronic Driver
<b>MODEL TYPE</b> RP = Replacement for Existing Recessed Down Lights EB = Embedded Recessed Installation	<b>COLOR TEMPERATURE (CCT)</b> SCCT = Selectable CCT: 3000K   4000K   5000K	

White LED Power	White LED Chip Type	Luminous Flux	Selectable CCT	CRI	Power Factor
10W	2835	850lm (+/-10%)	3000K   4000K   5000K	≥ 80Ra	≥ 0.88
UVC Power	UVC Source Type	UVC Lifespan	UVC Wavelength	UVC Radiant Power	UVC Light Angle
8W (UVC LED+Fan)	0.6W UVC-LED 3939	10,000hrs	275nm	160mw	30°

## DIMENSIONS



## AIR STERILIZATION DIAGRAM



**Air Sterilization / Filtration Cycle**  
 Note: Ceiling needs to be able to bear 11lbs of tension.

# UVC-RM6S

*Recessed Downlight 6" LED / UVC Luminaire*  
*Selectable Wattage CCT*  
*Helps Eliminate Bacterial & Viral Threats*

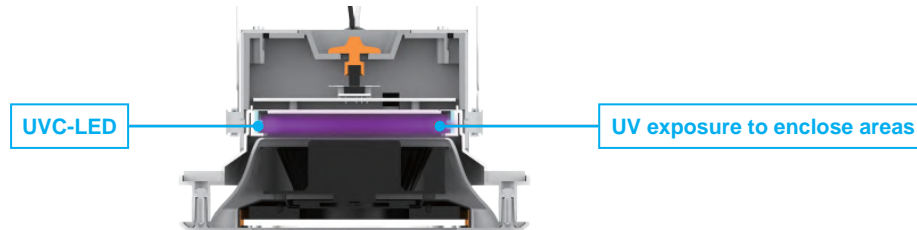
We reserve the right to revise the design or components of any product without notice.

CATALOG #		TYPE
PROJECT/LOCATION		
APPROVED BY		

## FEATURES

### 01 No UV leakage, safe for occupied areas and rooms:

The built-in ultraviolet light effectively removed viruses and bacteria. When the air disinfection downlight is turned on, the ultraviolet light is completely enclosed inside the product (in compliance with the IEC62471 RG0 standard), realizing the coexistence of human and machine.



### 02 Centrifugal fan design to improve disinfection efficiency:

High-quality industrial centrifugal fans with a lifespan of 70,000 hours are selected. Through the fan's active air convection, side air inlet and down air outlet, speed up the air circulation and improved the disinfection efficiency for per unit.

Based on 10m<sup>3</sup> lab testing:

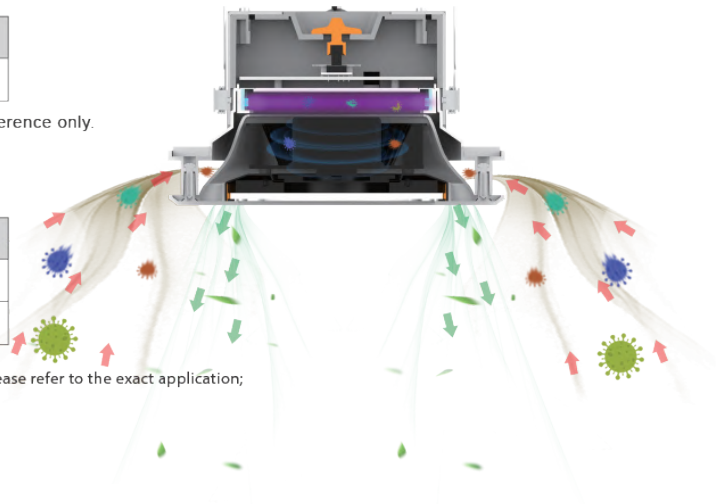
Bacteria	Spatial scope	Killing time	Killing rate
staphylococcus albus	10m <sup>3</sup>	3h	>99.9%

Note: This data comes from a third-party laboratory, the data is for reference only.

Recommended application, purification volume & time:

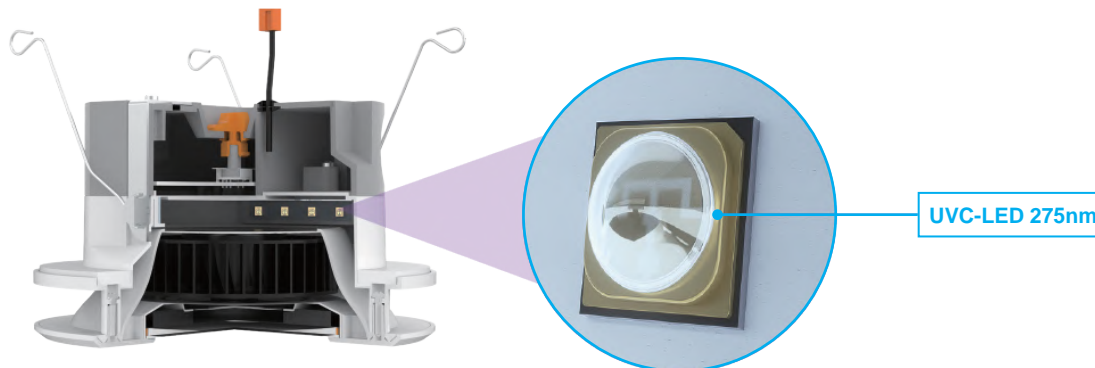
Category	Spatial scope	Recommended purification time
Applicable volume	15.6m <sup>3</sup>	>3h
Applicable area	6m <sup>2</sup>	>3h

Note: Based on embedded installation in enclosed space, for detailed specs, please refer to the exact application; it is recommend to keep this device on always to purify the air.



### 03 Newest UV LED light engines, longer lifespan:

Built-in 8 long-life UV LED chips on 2 sides, 10,000 hours of UV maintenance rate ≥ 70%, not easy to break, environmentally friendly and mercury-free.



# UVC-RM6S

*Recessed Downlight 6" LED / UVC Luminaire*  
*Selectable Wattage CCT*  
*Helps Eliminate Bacterial & Viral Threats*

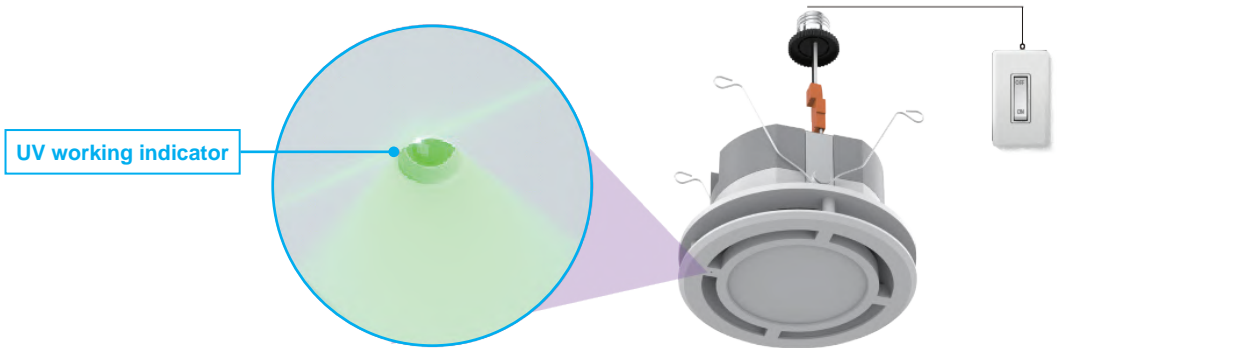
We reserve the right to revise the design or components of any product without notice.

CATALOG #		TYPE
PROJECT/LOCATION		
APPROVED BY		

## FEATURES (Continued)

### 04 LED lighting + UV disinfection mode switchable:

Equipped with LED lighting system, disinfection lighting can be operated at the same time. After powering on, enter mode 1, turn off the power and turn on the light within 1 second to enter mode 2, turn off the power again and turn on the light within 1 second to enter mode 3, restart after power off for 4 seconds, and re-enter mode 1.



● Mode 1 (on) -  
LED lighting + UV disinfection  
(the indicator light is on)

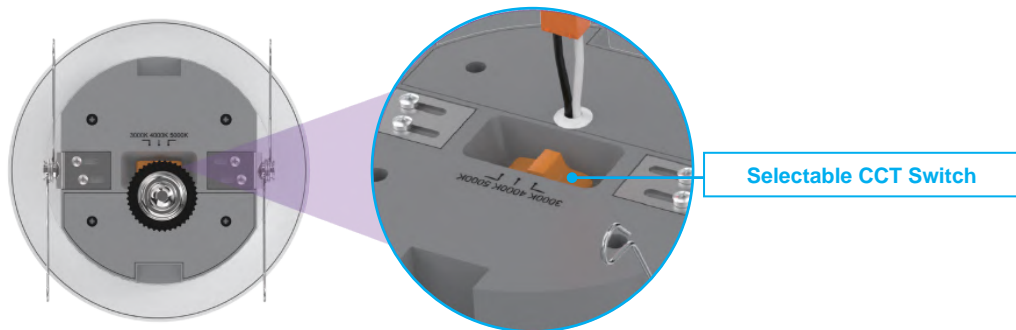
● Mode 2 (on-off-on) -  
LED lighting  
(indicator light off)

● Mode 3 (on-off-on-off-on)-  
UV disinfection  
(the indicator light is on)

Note: The indicator light works simultaneously with the UV function, and the indicator light is also turned off when the UV function is turned off.

### 05 CCT Change

You can choose the color temperature according to your own interest or the environment.



3000K Warm White

4000K Daylight White

5000K Cool White



We reserve the right to revise the design or components of any product without notice.

# UVC-RM6S

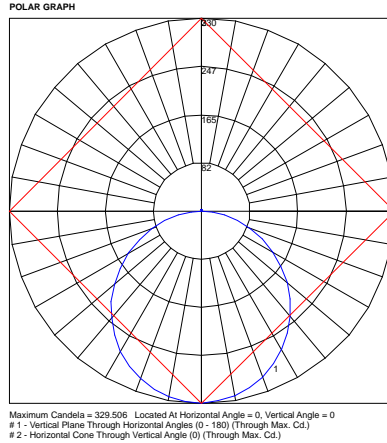
*Recessed Downlight 6" LED / UVC Luminaire*  
*Selectable Wattage CCT*  
*Helps Eliminate Bacterial & Viral Threats*

CATALOG #		TYPE
PROJECT/LOCATION		
APPROVED BY		

## PHOTOMETRIC DATA

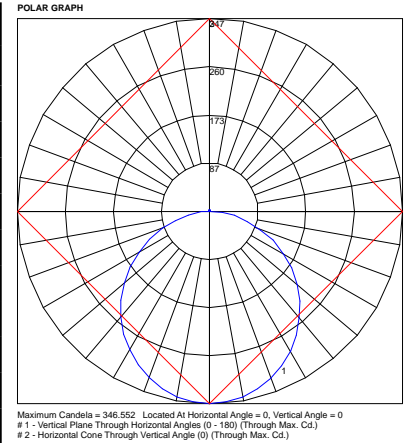
Summary of Results   UVC-RM6S-EB-LED10-3K-UNV					
Lumen Output	Efficacy	Input Power	CCT	Distribution	BUG Rating
945.2 Lumens	55.0 Lm/W	17.2W	3000K	Type VS	B1-U1-G1

LCS Summary	
Zone	Lumens
Forward Low (0-30)	126.6
Forward Medium (30-60)	237.3
Forward High (60-80)	90.2
Forward Very High (80-90)	10.4
Back Low (0-30)	127.3
Back Medium (30-60)	240.2
Back High (60-80)	91.9
Back Very High (80-90)	10.7
Up Low (90-100)	1.1
Up High (100-180)	9.4



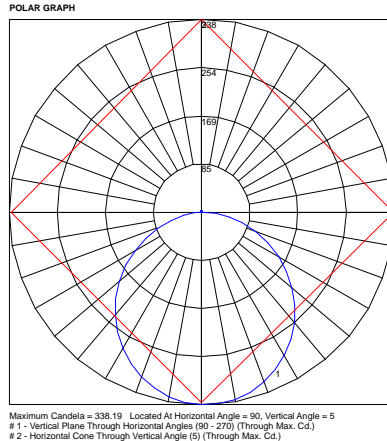
Summary of Results   UVC-RM6S-EB-LED10-4K-UNV					
Lumen Output	Efficacy	Input Power	CCT	Distribution	BUG Rating
995.0 Lumens	58.5 Lm/W	17.0W	4000K	Type VS	B1-U1-G1

LCS Summary	
Zone	Lumens
Forward Low (0-30)	133.7
Forward Medium (30-60)	252.3
Forward High (60-80)	97.4
Forward Very High (80-90)	11.8
Back Low (0-30)	133.5
Back Medium (30-60)	250.5
Back High (60-80)	94.3
Back Very High (80-90)	10.3
Up Low (90-100)	1.1
Up High (100-180)	10.0



Summary of Results   UVC-RM6S-EB-LED10-5K-UNV					
Lumen Output	Efficacy	Input Power	CCT	Distribution	BUG Rating
971.4 Lumens	56.2 Lm/W	17.3W	5000K	Type VS	B1-U1-G1

LCS Summary	
Zone	Lumens
Forward Low (0-30)	130.6
Forward Medium (30-60)	246.7
Forward High (60-80)	95.5
Forward Very High (80-90)	11.6
Back Low (0-30)	130.2
Back Medium (30-60)	244.3
Back High (60-80)	91.8
Back Very High (80-90)	10.0
Up Low (90-100)	1.1
Up High (100-180)	9.7



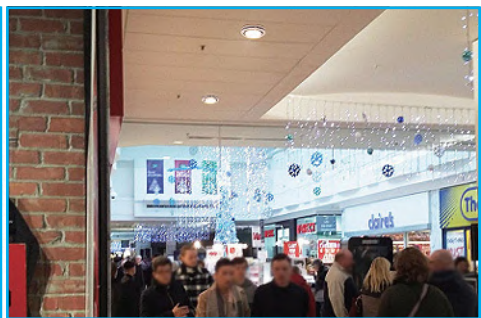
## APPLICATIONS



Hospitals



Offices



Shopping Malls

# UVC-RM6S

*Recessed Downlight 6" LED / UVC Luminaire*  
*Selectable Wattage CCT*  
*Helps Eliminate Bacterial & Viral Threats*

We reserve the right to revise the design or components of any product without notice.

CATALOG #		TYPE
PROJECT/LOCATION		
APPROVED BY		

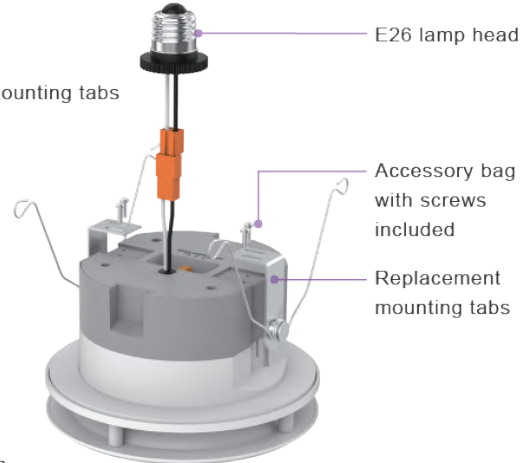
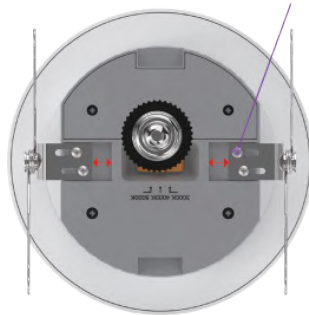
## REPLACEMENT MODEL INSTALLATION

### ● Replacement Model Installation Steps:

The location of 5" J-BOX mounting tabs

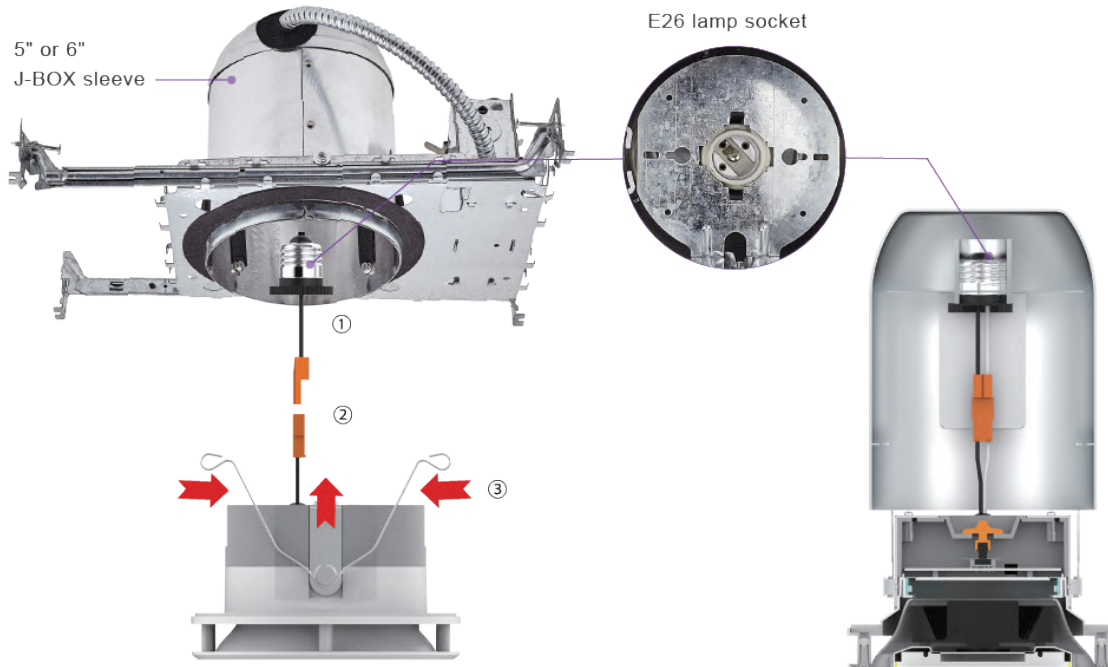


The location of 6" J-BOX mounting tabs



The effect drawing of the 5" mounting tabs which are locked tightly with the screws

The effect drawing of the 6" mounting tabs which are locked tightly with the screws



### Installation Steps:

- ① Screw the E26 lamp holder of the accessory package into the corresponding socket.
- ② Connect the terminal block on the E26 lamp holder with the terminal block on the main frame.
- ③ Clip the spring in the main frame into the J-BOX installation point and push it upward.

# UVC-RM6S

*Recessed Downlight 6" LED / UVC Luminaire*  
*Selectable Wattage CCT*  
*Helps Eliminate Bacterial & Viral Threats*

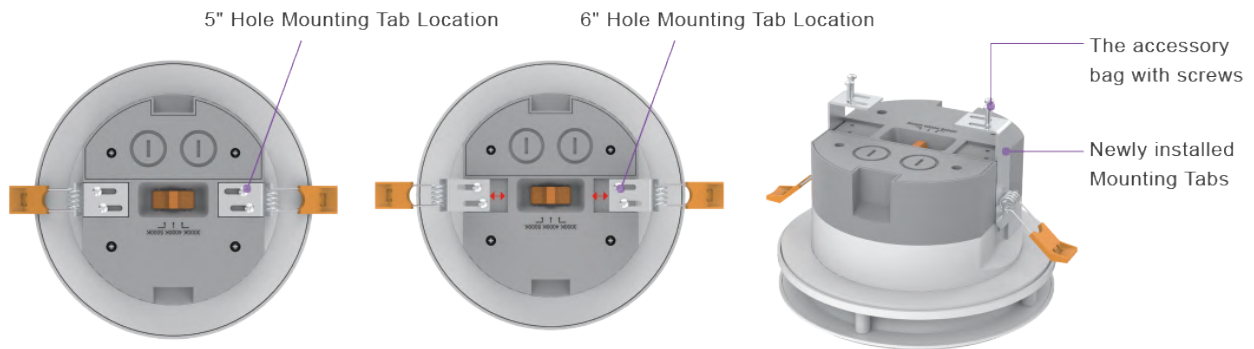
We reserve the right to revise the design or components of any product without notice.

CATALOG #		TYPE
PROJECT/LOCATION		
APPROVED BY		

## EMBEDDED MODEL INSTALLATION

### ● Embedded Model Installation Steps:

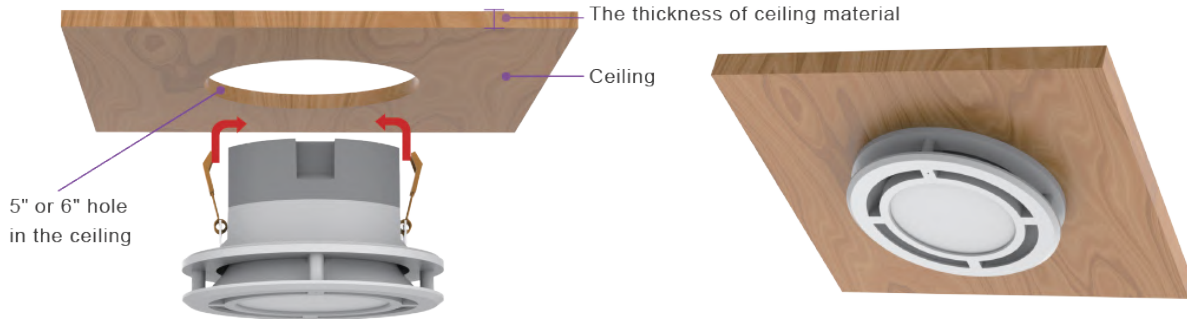
The size of the ceiling hole demand		
The type of the ceiling hole	The size of the ceiling Hole	The thickness of ceiling material
5"	135mm~145mm	9mm~18mm
6"	150mm~155mm	12mm~18mm



The effect drawing of the 5" mounting tabs which are locked tightly with the screws

The effect drawing of the 6" mounting tabs which are locked tightly with the screws

Installation step①: Use a tool to fix the embedded mounting tabs in the accessory bag on the main frame, and adjust the distance between the two mounting tabs according to the 5-inch or 6-inch hole in the ceiling.



Installation step②: Press the two sides of the shrapnel with your hands, press the middle to align the installation hole, and push it into the ceiling. The lamp is positioned on the ceiling by the elastic force of the installation shrapnel.