

# RM6 / LED Retrofit Kit

## LED Recessed Downlight Luminaire



We reserve the right to revise the design or components of any product without notice.

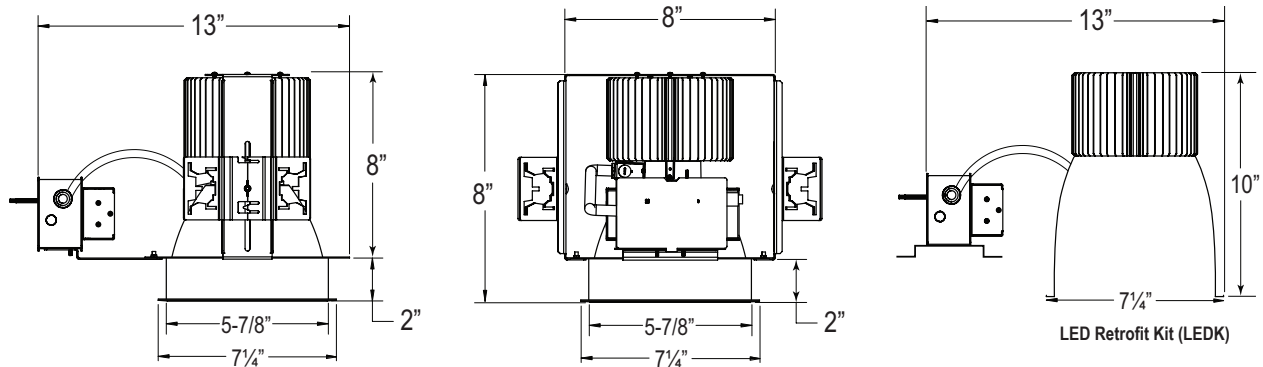
CATALOG #		TYPE
PROJECT/LOCATION		
APPROVED BY		

### SPECIFICATIONS

- DRIVER — Universal Voltage (120-277V) Electronic Driver is standard for LED.
- REFLECTOR — Spun aluminum #1100 Haze Alzak Finish.
- BEAM — 40° Beam Spread Standard.
- MOUNTING — 18 Ga. (.048") galvanized steel die formed universal mounting frame fits most ceiling systems; min. 1/2", max. 2" thick. Thru way splice box.
- LIGHT ENGINE — 25W thru 38W LED (2000-4000 Lumen Output).
- HEAT SINK — Extruded aluminum, supports light engine. Dissipates heat from LED board.
- THERMAL DEVICE — Automatic resetting heat sensitive device for non-IC installations. Protects fixture from overheating if insulation covers fixture.
- COMPLIANCE — Built to comply with U.S. and Canadian Safety Standards. Suitable for wet location (with optional lens) under covered ceiling. LM79/LM80 tested. For Cylinder and/or other sizes, Consult Factory.



### DIMENSIONS



ORDERING GUIDE:	Series	Lamp/Wattage	Color	Voltage	Finish	Options

#### SERIES

**RM6** = RM6 Series - 6" dia. downlight

#### LIGHT ENGINE WATTAGE

**LED25** = 25W LED (Nominal 2000 Lumens)

**LED31** = 31W LED (Nominal 3000 Lumens)

**LED38** = 38W LED (Nominal 4000 Lumens)

#### LED COLOR TEMPERATURE

**27K** = 2700K range

**3K** = 3000K range

**35K** = 3500K range

**4K** = 4000K range

#### VOLTAGE

**EBU** = Universal Volt (120-277) Electronic Driver

#### OPTIONS

**FUS** = Single Fusing

**CPA** = Chicago Plenum Approved

**D7** = 0-10V low-voltage LED Dimming (100-30% Standard, Consult Factory for Other)

**D8** = TRIAC, Leading Edge

**D14** = DMX—Consult Factory

**SA** = Slope Adapter: 5°-35° Adjustable

**TP** = Tamperproof Screws

**TPD** = Tamperproof Door - Includes Polycarbonate Lens (Specify)

—Clear (CLR)

—1.125" Clear Tempered Glass (#78)

—1.56" K12 Prismatic Polycarbonate (#81)

—Note: TPD Option limited to LED25 Watt

**LEDK** = LED Retrofit Kit to convert existing fixtures

**FG** = Reflector Flange Gasket

**WET** = Wet Location Compliant

**LED EMERGENCY BATTERY** — Consult Factory