

PWT-J

Panel Light Backlit/Tunable Luminaire Selectable 4-CCT / 4-Wattage Settings 2X2 / 2X4 Model Sizes

We reserve the right to revise the design or components of any product without notice.

| | | |
|------------------|--|------|
| CATALOG # | | TYPE |
| PROJECT/LOCATION | | |
| APPROVED BY | | |

SPECIFICATIONS

- DRIVER — Universal Voltage 120-277V Electronic Driver. 0-10V Dimmable.
- POWER FACTOR — ≥ 0.95 .
- LENS — PMMA LGP 3mm thick, Anti-Yellowing Lens.
- HOUSING — Anodized, anti-corrosion heat dissipating aluminum housing.
- FINISH — Painted White (WH).
- LIGHT ENGINE — Energy Efficient Light Emitting Diode. Selectable Wattage.
- BEAM ANGLE — 120°.
- COLOR TEMPERATURE — Selectable CCT: 3000K/3500K/4000K/5000K | CRI >80.
- LIFESPAN — 50,000hrs.
- OPERATING TEMP — -4~113°F (-20~45°C)
- MOUNTING — Lay-in Grid Recessed Mount. Optional Aircraft Cable or Surface Mount.
- COMPLIANCE — Built to comply with U.S. and Canadian Safety Standards. UL / cUL compliant. Suitable for Damp Location with covered ceiling.
- WARRANTY — 5-Year Limited Warranty.



**Built-in Selectable
CCT/WATT Switch**

ORDERING INFO

| ORDERING GUIDE: | Series | Size | LED Wattage | CCT | Voltage | Finish | Options |
|-----------------|--------|------|-------------|-----|---------|--------|---------|
| | | | | | | | |

SERIES

PWT-J = Panel Light Backlit Tunable Series

SIZE

22 = 2' x 2' Series
24 = 2' x 4' Series

LED WATTAGE

Note: Refer to Below Chart for Size / Wattage / Lumens Output

SLED = \pm Selectable LED Wattage
— PWT22: 20W | 25W | 30W | 35W
— PWT24: 35W | 40W | 45W | 50W

LED COLOR TEMPERATURE

SCCT = \pm Selectable CCT: 3000K/3500K/4000K/5000K

DRIVER VOLTAGE

UNV = Universal Volt (120-277v) Electronic Driver
— 0-10V Dimmable

FINISH

WH = White

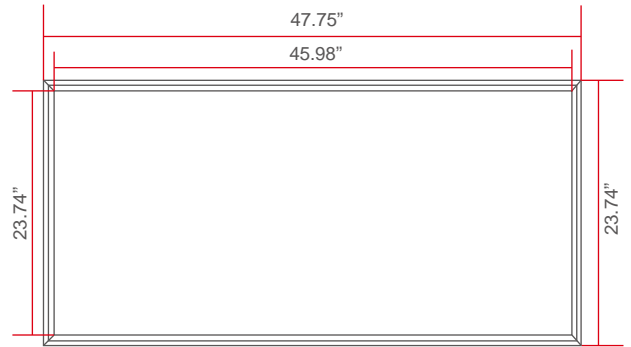
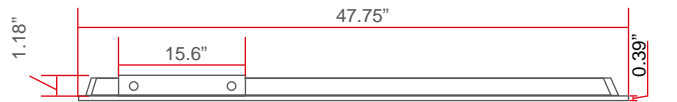
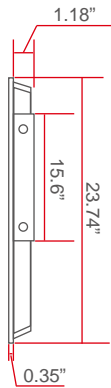
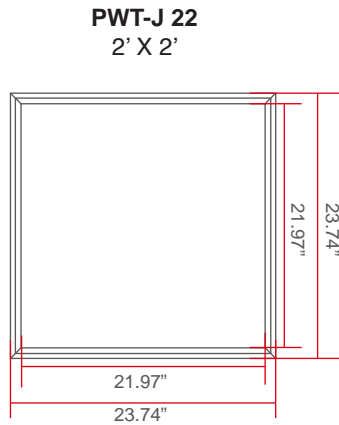
MOUNTING OPTIONS

ACM = Aircraft Cable Mount
SMK = Surface Mount Kit

| LED WATTAGE / LUMENS | | |
|----------------------------------|--|--|
| Fixture | PWT-J 2X2 | PWT-J 2X4 |
| Dimensions - W x L x D (Nominal) | 23.74" Sq. x 1.18"D | 23.74"W x 47.75"L x 1.18"D |
| Selectable LED Wattage (SLED) | 20W (2600 Lumens) 25W (3250 Lumens) 30W (3900 Lumens) 35W (4550 Lumens) | 35W (4550 Lumens) 40W (5200 Lumens) 45W (5850 Lumens) 50W (6500 Lumens) |

Note: Lumen Values based On 130 lm/W Efficacy.

MODEL TYPE/DIMENSIONS



PWT-J 24
2' X 4'

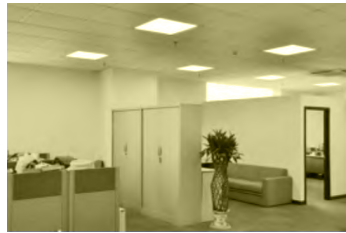
CCT PRESETS



5000K



4000K

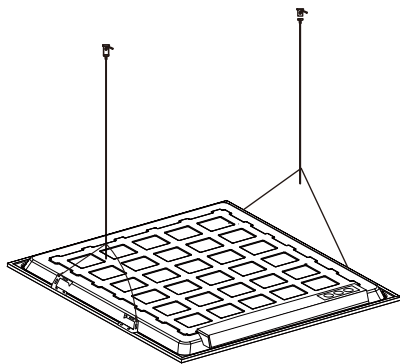


3500K

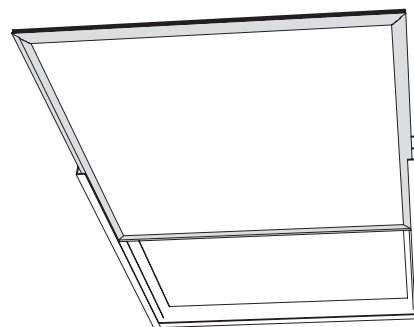


3000K

MOUNTING OPTIONS



Aircraft Cable Mount (ACM)



Surface Mount Kit (SMK)

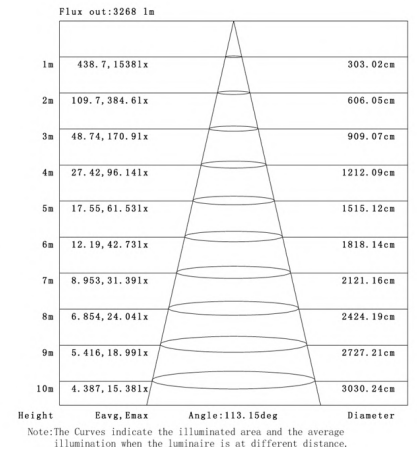
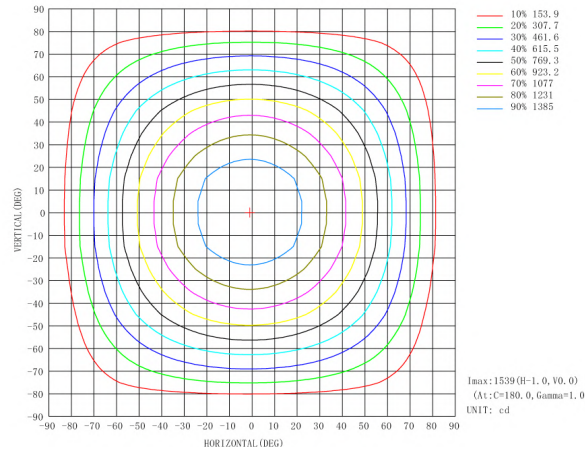
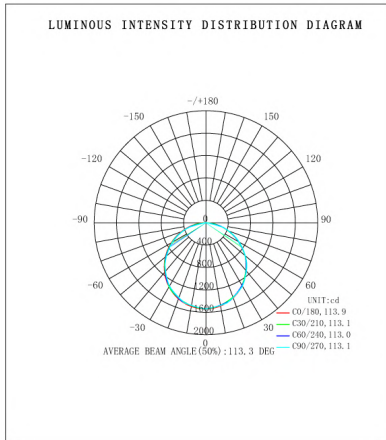
PHOTOMETRIC DATA

Test # PWTJ2235W5K

CATALOGUE #: PWT-J-22-LED35-5K

Test Date: 11/12/2019 — Tested in accordance with LM-79-80. The results contained in this summary report pertain only to the tested sample.

| Summary of Results | | | | | | | | |
|--------------------|----------------|---------------|---------------|---------------|--------------|-----------|------------|------------|
| Lamp Output | Lumen Efficacy | Input Voltage | Input Current | Input Wattage | Power Factor | Frequency | Color Temp | BUG Rating |
| 4390.63 Lumens | 132.39 LPW | 121.5V | 0.2758A | 33.16W | 0.9900 | 59.98Hz | 5000K | B2-UX-G1 |



Test # PWTJ2450W5K

CATALOGUE #: PWT-J-24-LED50-5K

Test Date: 11/18/2019 — Tested in accordance with LM-79-80. The results contained in this summary report pertain only to the tested sample.

| Summary of Results | | | | | | | | |
|--------------------|----------------|---------------|---------------|---------------|--------------|-----------|------------|------------|
| Lamp Output | Lumen Efficacy | Input Voltage | Input Current | Input Wattage | Power Factor | Frequency | Color Temp | BUG Rating |
| 6727.23 Lumens | 138.57 LPW | 121.6V | 0.4033A | 48.55W | 0.9898 | 59.96Hz | 5000K | B2-UX-G1 |

