

BLP-E

Backlit LED Panel Light Luminaire
T-Bar Grid / Suspension Mount / Surface Mount
Suitable for Damp Locations

We reserve the right to revise the design or components of any product without notice.

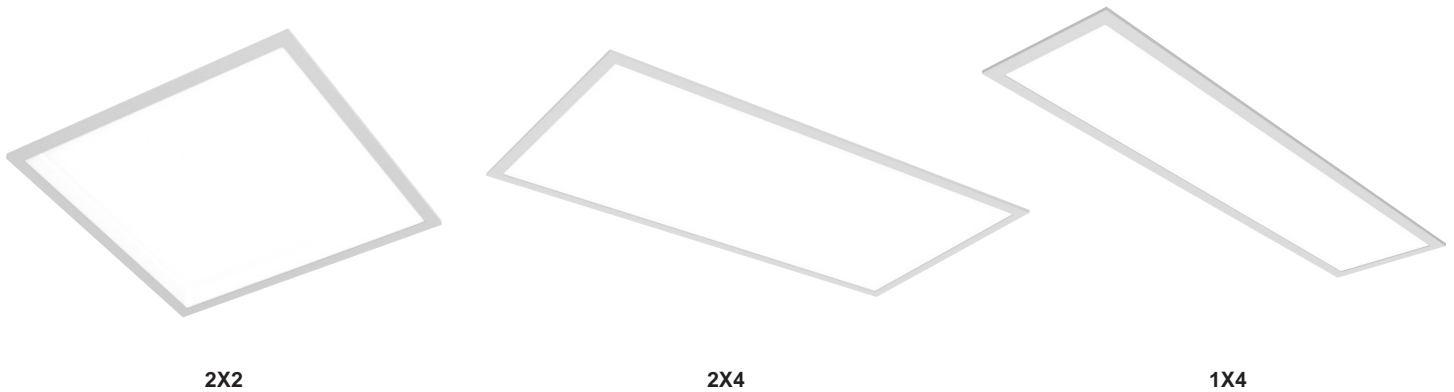
CATALOG #		TYPE
PROJECT/LOCATION		
APPROVED BY		

SPECIFICATIONS

- DRIVER — Universal Voltage 120-277V Electronic Driver with 0-10V Dimming Standard. Optional 347 Volt.
- FINISH — Painted White (WH).
- LENS — PMMA Anti-Yellowing Acrylic Lens provides even illumination and low glare. SDCM < 5. 120° Beam Angle.
- HOUSING — Aluminum frame with rigid die-formed steel back enclosure which prevents fixture from warping over time.
- LIGHT ENGINE — Backlit LED technology with even light distribution.
- COLOR TEMPERATURE — 3500K to 5000K Standard. 125~127.5LPW. CRI >80.
- EMERGENCY — Optional Emergency Battery with 0-10V Dimming.
- MOUNTING — Recessed mount in T-Bar grid ceiling with integral earthquake clips for secure attachment. Optional Surface or Suspension mounting available.
- OPERATIONAL TEMP — -20°C to 40°C (4°F to 104°F).
- COMPLIANCE — Built to comply with U.S. and Canadian Safety Standards. RoHS / FCC / DLC Compliant. IC Rated for Insulated Ceilings. cUL/US Listed suitable for Damp Location.
- WARRANTY — 5-Year Limited Warranty. 50,000hr Lifespan.



MODEL SIZES



ORDERING INFO

ORDERING GUIDE:	Series	Size	LED Wattage	CCT	Voltage	Finish	Options
-----------------	--------	------	-------------	-----	---------	--------	---------

SERIES
 BLP-E = Backlit LED Panel Light

SIZE
 22 = 2' X 2'
 24 = 2' X 4'
 14 = 1' X 4'

LED WATTAGE
 See Chart Below for Size/Wattage Compatibility
 LED(xx) = LED (xx = Wattage, ex: LED36)

LED COLOR TEMPERATURE (CCT)
 35K = ±3500K range LED
 4K = ±4000K range LED
 5K = ±5000K range LED

VOLTAGE
 347 = 347 Volt
 UNV = Universal Volt (120-277v) Driver
 — 0-10V Dimming is standard

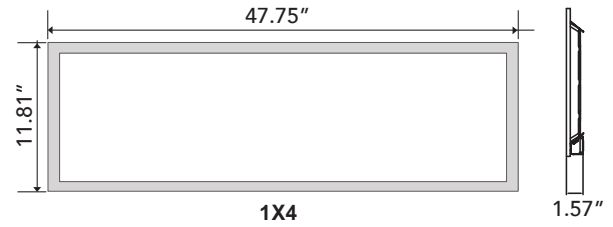
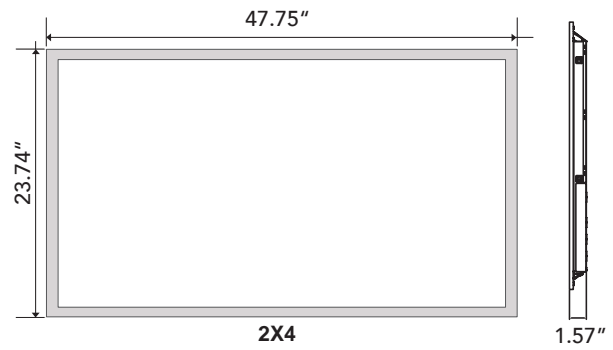
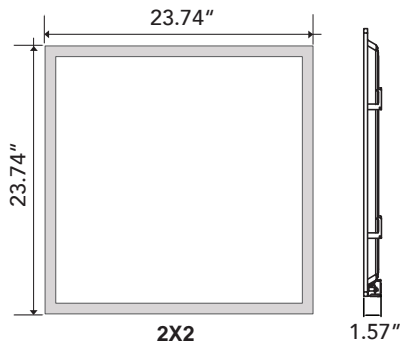
MOUNTING OPTIONS
 SMK = Surface Mount Kit
 SSPM2 = Suspension Mounting Kit | 2-Cable
 SSPM4 = Suspension Mounting Kit | 4-Cable

MISC OPTIONS
 LC6 = Line Cord - 6' Length
 ACR = Acrylic Diffuser
 MS = Motion Sensor (Consult Factory)
 RD = Remote Driver
 — Max Distance: 20ft

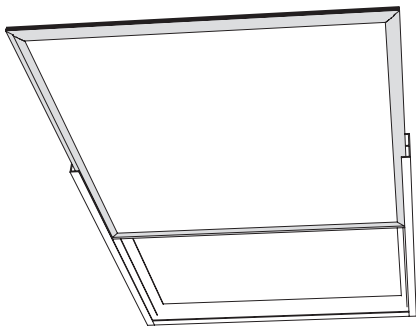
EMERGENCY / BATTERY OPTIONS
 EL = Emergency Battery Backup
 — Features 0-10V Dimming

SIZE	Wattage	Lumens	Weight
2X2	30 Watt	3750 - 3825 Lumens	4.41lbs
	36 Watt	4500 - 4590 Lumens	
2X4	40 Watt	5000 - 5100 Lumens	8.82lbs
	50 Watt	6250 - 6375 Lumens	
1X4	30 Watt	3750 - 3825 Lumens	4.63lbs

DIMENSIONS



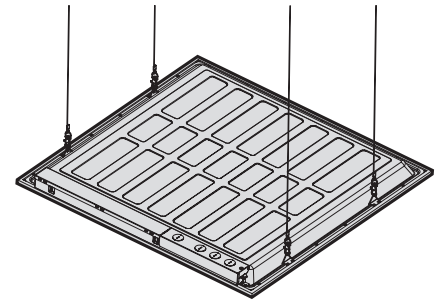
MOUNTING OPTIONS



Optional Surface Mount Kit (SMK)



Optional Suspension Mount
2-Cable Kit (SSPM2)

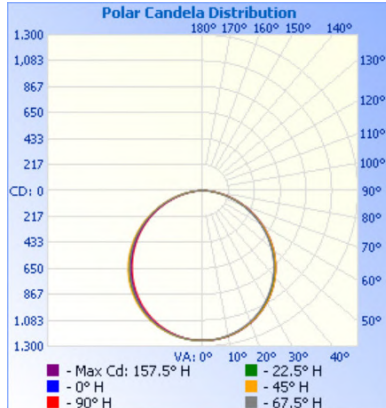


Optional Suspension Mount
4-Cable Kit (SSPM4)

PHOTOMETRIC DATA

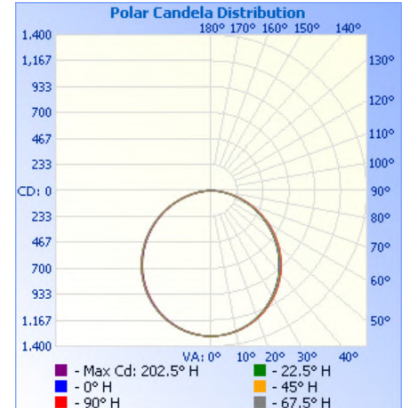
Summary of Results BLP-E-14-LED30-4K-120V					
Lumen Output	Efficacy	Input Power	CCT	CRI	Beam Angle
3,705.7 Lumens	128.45 Lm/W	28.85W	4071K	83.5	114.2°

Zonal Lumen Summary	
Zone	Lumens
0-30	979.3
0-40	1,611.4
0-60	2,876.2
60-90	825.8
70-100	359.3
90-120	1.1
0-90	3,702.0
90-180	3.4
0-180	3,705.4



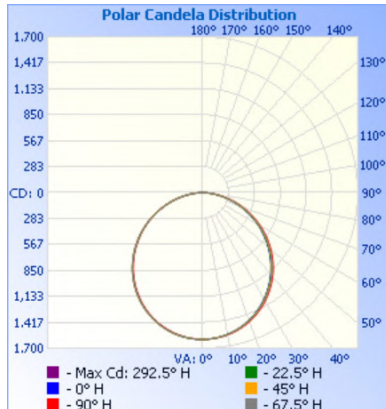
Summary of Results BLP-E-22-LED30-4K-120V					
Lumen Output	Efficacy	Input Power	CCT	CRI	Beam Angle
3,802.2 Lumens	128.15 Lm/W	29.67W	4058K	83.3	113.5°

Zonal Lumen Summary	
Zone	Lumens
0-30	1,016.9
0-40	1,667.7
0-60	2,960.7
60-90	836.4
70-100	362.0
90-120	1.8
0-90	3,797.1
90-180	4.7
0-180	3,801.8



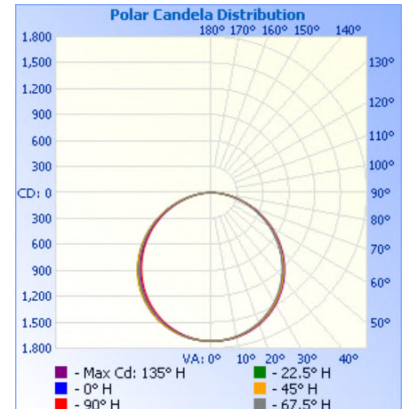
Summary of Results BLP-E-22-LED36-4K-120V					
Lumen Output	Efficacy	Input Power	CCT	CRI	Beam Angle
4661.0 Lumens	127.63 Lm/W	36.52W	4065K	83.2	113.5°

Zonal Lumen Summary	
Zone	Lumens
0-30	1,246.3
0-40	2,043.9
0-60	3,628.2
60-90	1,026.1
70-100	444.1
90-120	2.4
0-90	4,654.3
90-180	6.2
0-180	4,660.6



Summary of Results BLP-E-24-LED40-4K-120V					
Lumen Output	Efficacy	Input Power	CCT	CRI	Beam Angle
5090.6 Lumens	128.13 Lm/W	39.73W	4041K	83.2	114.3°

Zonal Lumen Summary	
Zone	Lumens
0-30	1,344.1
0-40	2,211.5
0-60	3,946.0
60-90	1,139.9
70-100	500.2
90-120	2.7
0-90	5,085.9
90-180	4.3
0-180	5,090.2



Summary of Results BLP-E-24-LED50-4K-120V					
Lumen Output	Efficacy	Input Power	CCT	CRI	Beam Angle
6,491.5 Lumens	127.61 Lm/W	50.87W	4055K	83.1	114.3°

Zonal Lumen Summary	
Zone	Lumens
0-30	1,713.6
0-40	2,819.4
0-60	5,031.1
60-90	1,453.5
70-100	638.3
90-120	3.9
0-90	6,484.6
90-180	6.3
0-180	6,490.9

