

# GR13S

## Garage Round 13" Diameter Luminaire Selectable LED Wattage / CCT IP65 Rated / Wet Location

We reserve the right to revise the design or components of any product without notice.

CATALOG #		TYPE
PROJECT/LOCATION		
APPROVED BY		

### SPECIFICATIONS

- DRIVER — Universal Voltage (120~277V) electronic driver with 0-10V Dimming.
- HOUSING — Die cast aluminum housing with baked powder coated finish.
- LENS — Polycarbonate optical lens.
- LIFE SPAN — Projected >150,000 Hours (L70).
- LIGHT ANGLE — Type VS.
- LIGHT ENGINE — Energy Efficient LED - Selectable Wattage / CCT. 18W Uplight is standard.  
*Note: Uplight is switchable ON/OFF for applications that do not require uplight.*
- MOUNTING — Mounting plate directly mounts to ceiling or J-BOX is Standard. Can be surface mounted with conduit. Optional Pendant Mount.
- OPERATING TEMPERATURE — -30°C~+40°C (-22°F TO +104°F)
- COMPLIANCE — Built to comply with U.S. and Canadian Safety Standards.  
ETL and DLC 5.1 Listed, IK08/IP65 Rated, Suitable for Wet Locations.
- SURGE PROTECTION — 4kV line to line, 6kV line to earth.
- WARRANTY — 5 Year Limited Warranty.



### ORDERING INFO

Series	Mounting	Wattage	CCT	Voltage	Finish	Options
ORDERING GUIDE:						

#### SERIES

GR13S = Garage Round 13"Dia. - Selectable Wattage / CCT

#### MOUNTING

- SM = Surface Mount (w/Mounting Plate)
- PEND12-SWC-RR = Pendant 13" Length Conduit Stem (1/2" IPS)  
— Includes Swivel Canopy for 4" Round Box
- PEND12-SWC-SR = Pendant 13" Length Conduit Stem (1/2" IPS)  
— Includes Swivel Canopy for 4" Square Box

#### WATTAGE

SLED = \*Selectable LED Wattage: 24W | 40W | 60W | 80W

#### COLOR TEMPERATURE (CCT)

SCCT = \*Selectable CCT: 3000K | 4000K | 5000K

*\*Note: Fixtures will ship from factory at lowest wattage and warmest CCT. It is the installer's responsibility to set the fixture at the desired wattage and CCT for their project.*

#### VOLTAGE

UNV = Universal Volt (120-277v) Electronic Driver  
— 0-10V Dimmable

#### STANDARD FINISH

WH = White Finish

#### PREMIUM UPCHARGE FINISH

BK = Black Finish  
BZ = Bronze Finish  
SGR = Silver Gray Finish

#### SENSOR OPTIONS

**Note: Fixture wattage operates at 100% only when sensor is installed (Non-Selectable).**

- OCC = Occupancy Sensing | Motion Sensor Integral  
— Plug-and-Play Installation
- BLD = Bi-Level Dimming | Motion Sensor Integral  
— Plug-and-Play Installation

#### EMERGENCY BATTERY OPTIONS

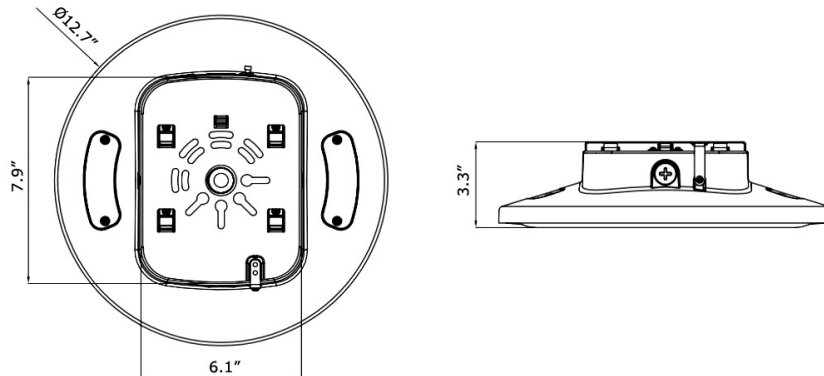
REL8W = Remote LED 8 Watt Emergency Battery  
REL10W-CW = Remote LED 10 Watt Emergency Battery  
— Cold Weather: -20°C thru 50°C

#### ACCESSORY OPTIONS (order as a separate line)

REMT = Remote Controller for Sensor Options

Power Setting	30%	50%	75%	100%
Wattage / Lumens	24W (3360 Lumens)	40W (5600 Lumens)	60W (8400 Lumens)	80W (11,200 Lumens)

### DIMENSIONS



# GR13S

**Garage Round 13" Diameter Luminaire**  
**Selectable LED Wattage / CCT**  
**IP65 Rated / Wet Location**

We reserve the right to revise the design or components of any product without notice.

CATALOG #		TYPE
PROJECT/LOCATION		
APPROVED BY		

## FEATURES



## MOUNTING

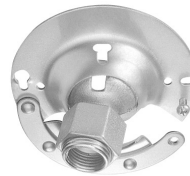


Surface Mount Bracket (SM)



Pendant Mount (PEND)

### Swivel Canopy Types for Pendant Mount



Swivel Canopy 4" for Round/Octagonal J-BOX (SWC-RR)



Swivel Canopy 4" for Square J-BOX (SWC-SR)

## OPTIONS



**Occupancy Motion Sensor (OCC)**  
*Plug-and-Play Installation*

**Bi-Level Dimming Motion Sensor (BLD)**  
*Plug-and-Play Installation*



Remote Emergency Battery

# GR13S

**Garage Round 13" Diameter Luminaire**  
**Selectable LED Wattage / CCT**  
**IP65 Rated / Wet Location**

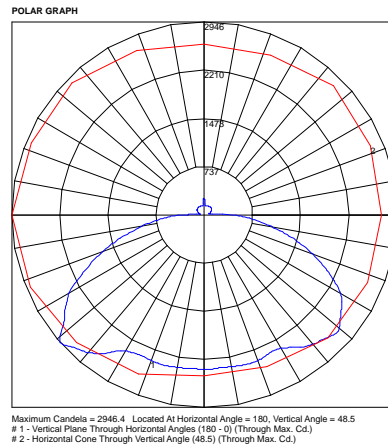
We reserve the right to revise the design or components of any product without notice.

CATALOG #		TYPE
PROJECT/LOCATION		
APPROVED BY		

## PHOTOMETRIC DATA

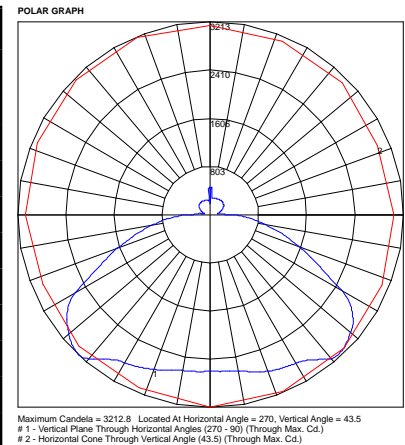
Summary of Results   GR13S-SLED-M-80W-5000K					
Lumen Output	Efficacy	Input Power	CCT	Distribution	BUG Rating
12,547.3 Lumens	159 Lm/W	78.9W	5000K	Type VS	B3-U4-G3

LCS Summary	
Zone	Lumens
Forward Low (0-30)	986.7
Forward Medium (30-60)	2884.0
Forward High (60-80)	1660.3
Forward Very High (80-90)	359.9
Back Low (0-30)	994.4
Back Medium (30-60)	2971.8
Back High (60-80)	1594.7
Back Very High (80-90)	329.4
Up Low (90-100)	136.7
Up High (100-180)	629.4



Summary of Results   GR13S-SLED-M-100W-5000K					
Lumen Output	Efficacy	Input Power	CCT	Distribution	BUG Rating
14,357.8 Lumens	142 Lm/W	101.1W	5000K	Type VS	B3-U5-G3

LCS Summary	
Zone	Lumens
Forward Low (0-30)	1155.0
Forward Medium (30-60)	3384.5
Forward High (60-80)	1690.5
Forward Very High (80-90)	363.4
Back Low (0-30)	1162.7
Back Medium (30-60)	3380.5
Back High (60-80)	1573.0
Back Very High (80-90)	318.0
Up Low (90-100)	179.0
Up High (100-180)	1151.2



Model Number	Wattage	Kelvin (CCT)	Lumens	Lumens Per Watt	IES Classification	BUG Rating
GR13S-SLED25-M-30K	25 Watts	3000K	3355 Lumens	135 LPW	Type VS	B1-U4-G1
GR13S-SLED25-M-40K	25 Watts	4000K	3611 Lumens	150 LPW	Type VS	B1-U3-G2
GR13S-SLED25-M-50K	25 Watts	5000K	3465 Lumens	140 LPW	Type VS	B1-U4-G1
GR13S-SLED40-M-30K	40 Watts	3000K	5890 Lumens	139 LPW	Type VS	B2-U4-G2
GR13S-SLED40-M-40K	40 Watts	4000K	6481 Lumens	158 LPW	Type VS	B2-U4-G2
GR13S-SLED40-M-50K	40 Watts	5000K	6200 Lumens	147 LPW	Type VS	B2-U4-G2
GR13S-SLED60-M-30K	60 Watts	3000K	8642 Lumens	141 LPW	Type VS	B3-U5-G2
GR13S-SLED60-M-40K	60 Watts	4000K	9340 Lumens	157 LPW	Type VS	B3-U4-G3
GR13S-SLED60-M-50K	60 Watts	5000K	8887 Lumens	145 LPW	Type VS	B3-U4-G3
GR13S-SLED80-M-30K	80 Watts	3000K	11,796 Lumens	144 LPW	Type VS	B3-U5-G3
GR13S-SLED80-M-40K	80 Watts	4000K	12,677 Lumens	160 LPW	Type VS	B3-U4-G3
GR13S-SLED80-M-50K	80 Watts	5000K	12,547 Lumens	159 LPW	Type VS	B3-U4-G3