

GR13

Garage 13" Diameter Luminaire
Unique Ring Diffuser Design
Wet Location



We reserve the right to revise the design or components of any product without notice.

CATALOG #		TYPE
PROJECT/LOCATION		
APPROVED BY		

SPECIFICATIONS

- DRIVER — Universal Volt 120/277V electronic driver.
- EMERGENCY — Optional Emergency Battery is available.
- HOUSING — Sealed die-cast aluminum housing with built-in heat sink.
- FINISH — Weatherproof polyester powder coated finish.
- LENS — Polycarbonate frosted ring diffuser.
- LIGHT ENGINE — Energy efficient LED - 130lm/W. Replaces 250W MH.
- PROJECTED LIFESPAN — 50,000hrs.
- OPERATING TEMPERATURE — -40°C to 55°C / -40°F to 131°F.
- MOUNTING — Hook, Pendant, or Surface Mount (via Adjustable Bracket).
- APPLICATIONS — Commercial, Retail, Gymnasiums, Factories, Warehouses.
- COMPLIANCE — Built to comply with U.S. and Canadian Safety Standards. Suitable for Wet Locations.
- WARRANTY — 5-year Limited Warranty.



ORDERING GUIDE:

Series	Mounting	LED Wattage	CCT	Voltage	Finish	Options

SERIES

GR13 = Garage Round 13" Diameter Series

MOUNTING

HOOK = Hook Mount
PEND = Pendant Mount
SM = Surface Mount (via Adjustable Bracket)

LED WATTAGE

Note: See chart below for Wattage / Lumen Output
LED67 = 67 Watt LED
LED97 = 97 Watt LED

LED COLOR TEMPERATURE (CCT)

4K = ±4000K LED Range (80CRI)
5K = ±5000K LED Range (80CRI)

DRIVER VOLTAGE

UNV = Universal Volt (120-277v) Driver

FINISH

BK = Black Finish

CONTROL OPTIONS

MS = Integral Motion Sensor
 — PIR | Occupancy Sensing | 120/277V
 — Standby Dim Level Presets: ON/OFF (0%/100%)

MISC OPTIONS

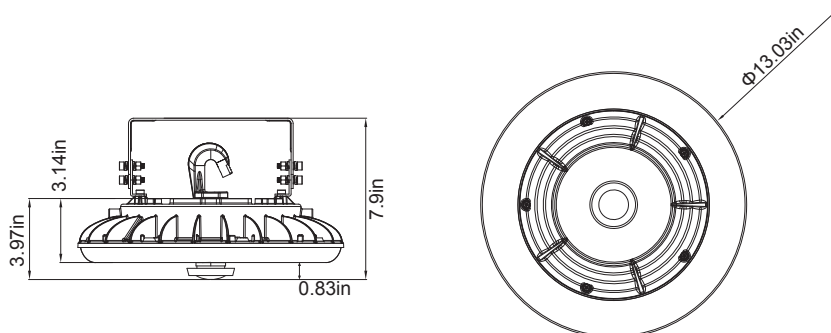
FUS = Single Fusing
SG = 10KA Surge Protection (ANSI spec C62.41.2)

EMERGENCY / BATTERY OPTIONS

EB = Emergency Battery
 — 16 Watt / 2000 Lumen / 90min
 — Includes Emergency Battery Box

LED Wattage / Lumens				
LED	Wattage	Voltage	Lumens / LPW (Based on 4000K CCT)	Lumens / LPW (Based on 5000K CCT)
LED67	67 Watt	120~277VAC	8,700 Lumens 130lm/w	8,700 Lumens 130lm/w
LED97	97 Watt	120~277VAC	12,400 Lumens 128lm/w	12,400 Lumens 128lm/w

DIMENSIONS



GR13

Garage 13" Diameter Luminaire
Unique Ring Diffuser Design
Wet Location



We reserve the right to revise the design or components of any product without notice.

CATALOG #		TYPE
PROJECT/LOCATION		
APPROVED BY		

FEATURES



MOUNTING OPTIONS



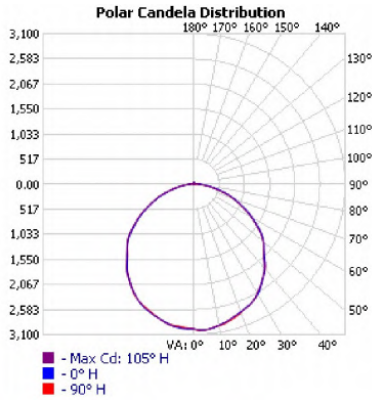
OPTIONS



PHOTOMETRIC DATA

Summary of Results		GR13-LED67-5K			
Lumen Output	Efficacy	Input Power	CCT	Distribution	BUG Rating
8,936.2 Lumens	129.4 Lm/W	69.06W	5000K	Type VS	B3-U3-G2

LCS Summary	
Zone	Lumens
Forward Low (0-30)	1,171.9
Forward Medium (30-60)	2,262.1
Forward High (60-80)	870.3
Forward Very High (80-90)	134.0
Back Low (0-30)	1,159.1
Back Medium (30-60)	2,180.4
Back High (60-80)	792.4
Back Very High (80-90)	113.0
Up Low (90-100)	100.1
Up High (100-180)	152.8



Summary of Results		GR13-LED97-5K			
Lumen Output	Efficacy	Input Power	CCT	Distribution	BUG Rating
12,477.3 Lumens	125.3 Lm/W	99.56W	5000K	Type VS	B3-U3-G2

LCS Summary	
Zone	Lumens
Forward Low (0-30)	1,629.5
Forward Medium (30-60)	3,138.2
Forward High (60-80)	1,203.4
Forward Very High (80-90)	184.9
Back Low (0-30)	1,615.7
Back Medium (30-60)	3,055.4
Back High (60-80)	1,125.2
Back Very High (80-90)	165.8
Up Low (90-100)	143.0
Up High (100-180)	216.1

