

# VTC-F

## Vapor-Tite/Vandal Resistant Linear LED Fiberglass Housing - Flat Lens Damp/Dusty/Wet Locations

We reserve the right to revise the design or components of any product without notice.

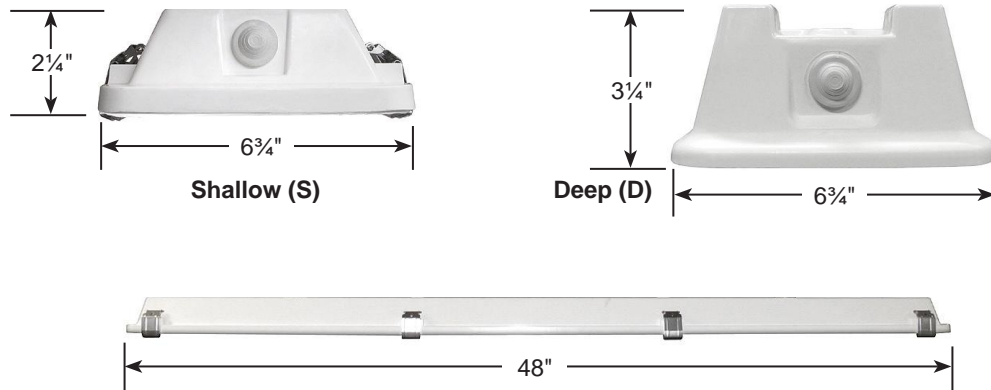
CATALOG #		TYPE
PROJECT/LOCATION		
APPROVED BY		

### SPECIFICATIONS

- DRIVER — Standard EBU – Instant Start universal volt (120-277v) electronic. Optional 120/277 volt Electronic <10 THD CW Instant Start – 0°C start.
- EMERGENCY — LED — Integral.
- FINISH — All metal parts are phosphate pre-treated and finished in white oven baked polyester powder coat.
- GASKETING — Continuous Poured in Place to seal Outside Contaminants.
- GEAR TRAY — Efficiently carries Electrical Gear, maintaining Weatherproof Enclosure while reducing cost and weight.
- HOUSING — 5VA rated Fiberglass for maximum strength and rigidity — White Standard. Shallow (2¼" Depth) or Deep (3¼" Depth) housing style.
- LATCHES — Stainless Steel (SSL) Snap-In Latches - Standard. Optional Clear Polycarbonate Latches (CPL)—suitable for dry environment indoor fixtures.
- LENS — Flat Prismatic Lens is Standard.
- MOUNTING — Standard Stainless Steel Mounting Brackets—Included with Fixture. Snaps onto housing (no holes to drill through housing) at most points along fixture for variable mounting centers (brackets cannot be fitted over latches). Optional Cable or Pendant Mounting.
- TEMPERATURE RATINGS — 25W = 40°C, 50W = 32°C, 75W = 25°C.
- COMPLIANCE — Built to comply with U.S. and Canadian Safety Standards. Suitable for indoor damp and outdoor wet location installations. IP65 Tested and Rated.



### DIMENSIONS



### FEATURES/OPTIONS



# VTC-F

Vapor-Tite/Vandal Resistant  
Fiberglass Housing - Flat Lens  
Damp/Dusty/Wet Locations  
Linear LED

LAMP TYPE/QTY/WATTAGE ①				
Visit <a href="http://www.eclipselightinginc.com">www.eclipselightinginc.com</a> for available IES files				
Fixture		2 Foot	4 Foot	8 Foot
Dimensions - W x H x D		24" long x 6 1/4" width	48" long x 6 3/4" deep	96" long x 6 3/4" width
Light Emitting Diode	LED	25w 4,000 Lumens	25w (4,000 Lumens) 50w (6,500 Lumens) 75w (9,000 Lumens)	150w 18,000 lumens
Light Emitting Diode (AC) T8 Medium (AC Powered - Driverless LED Engine)	LEDAC-T8M	(2)18w 3600 Initial Lumens	(2)18w 3600 Initial Lumens	(4)18w 7200 Initial Lumens
Light Emitting Diode (AC) T8 High (AC Powered - Driverless LED Engine)	LEDAC-T8H	(2)22w 4800 Initial Lumens	(2)22w 4800 Initial Lumens	(4)22w 9600 Initial Lumens

**ORDERING GUIDE:**

Series	Size	Style	Latches	Lamp/Wattage	Color	Voltage	Finish	Options
<input type="text"/>	<input type="text"/>	<input type="text"/>	<input type="text"/>	<input type="text"/>	<input type="text"/>	<input type="text"/>	<input type="text"/>	<input type="text"/>

## SERIES

VTC-F = Flat Lens VTC Series

## SIZE

- 2' = 2 Foot Length
- 4' = 4 Foot Length
- 8' = 8 Foot Length

## STYLE

- S = Shallow (2 1/4" Depth)
- D = Deep (3 1/4" Depth)

## LATCHES

- CPL = Clear Polycarbonate Latches
- SSL = Stainless Steel Latches - Standard

## LAMP TYPE/QUANTITY/WATTAGE ①

Refer to Above Chart

## VOLTAGE

- 120 = 120 Volts
- 277 = 277 Volts
- 347 = 347 Volts
- EBU = Universal Volt (120-277v) Electronic Drivers
- 2EBU = Two Universal Volt (120-277v) Drivers

## FINISH

- WH = White Finish — Standard

## COLOR TEMPERATURE

- 3K = ±3000K LED Range
- 35K = ±3500K LED Range
- 4K = ±4000K LED Range
- 5K = ±5000K LED Range

\*Note: Tight Binning (2-3 MacAdam Ellipses)

## OPTIONS

- ACM = Aircraft Cable Mount
- BB = Back Box ②
- GTD = Generator Transfer Device (Bodine)
- HUB2 = 1/2" Myers Hub
- HUB3 = 3/4" Myers Hub
- NS = No Stem Included
- PC = Polycarbonate Diffuser (Specify Clear "CPC", or frosted "FPC")
- PEND = Two Stem Pendant Mount — 12" Standard
- SG = 10KA Surge Protection for LED fixtures (meets ANSI spec C62.41.2)

## SENSOR OPTIONS

- MSE = Motion Sensor External; Single circuit: all on, all off  
Specify Finish: White (WH) or Bronze (BZ)
- MSE2 = Motion Sensor External; Dual circuit, half on half off
- MSI1 = Motion Sensor Integral ③ (Microwave)  
—Single Circuit:-OFF / ALL-ON
- MSI2 = Motion Sensor Integral ③ (Microwave)  
—Single Circuit: HALF-ON / ALL-ON
- MSI3 = Motion Sensor Integral ③ (Microwave)  
(Single Circuit Multi-Level Daylight with Motion Sense  
-ALL-ON with Motion Sense, specified HOLD TIME,  
DIMS to Low Light Level, specified STAND-BY PERIOD,  
ALL-OFF. Specified Ambient Foot-Candle Control.)
- MSI4 = Motion Sensor Integral ③ (Microwave)  
(Single Circuit Bi-Level, ALWAYS ON  
-ALL-ON with specified HOLD TIME,  
DIMS to specified Low Light Level and stays on, powers  
back to full light output with Motion Sense.)
- MSI5 = Motion Sensor Integral ③ (Microwave)  
(Single Circuit Zone Control  
-Used for passageways, corridors, stairwells  
and Garage applications.)
- MSI6 = Motion Sensor Integral ③ (Microwave)  
-Synchronization Control for Multiple Fixtures
- MSI7 = Motion Sensor Integral ③ (Microwave)  
-Daylight Harvest Control
- MSI8 = Motion Sensor Integral ③ (Microwave)  
-Wireless Control

## DIMMING OPTIONS

- BL1 = Bi-Level Light (High/Low)  
— Single AC Input Feed  
— Switch Sensor (Required)
- BL2 = Bi-Level Light (High/Low)  
— Wired for Dual AC Input Feeds
- D7 = 0-10V low-voltage LED Dimming  
(100-30% Standard, Consult Factory for Other)
- D8 = LED Dimming: Forward Phase (Triac)

## EMERGENCY BATTERY OPTIONS ③ ⑤

No onsite Emergency Power (AC or DC) is provided  
Specify Fixture Voltage: 120V or 277V Power Feed  
A=120V or B=277V

## LED Emergency Battery ②

### Factory Recommended

- EL82 = LED 4 Watt (Integral)
- EL85 = LED 20 Watt (Integral)
- EL88 = LED 16 Watt (Integral)

### Premium (Bodine/Iota)

- EL61 = LED 12 Watt (Integral)
- EL63 = LED 23 Watt (Integral)
- EL67 = LED 23 Watt Cold Weather (Integral)

### Meets CEC Efficiency Standards

(CEC-400-2014-009-CMF)  
EL91 = LED 10 Watt (Integral)

## NOTES:

- ① Consult Factory with requests regarding lamp sources, wattages or voltages not shown. Wattages are nominal.
- ② Backbox required; BB included with Integral Emergency Battery (EL)
- ③ Consult Factory for additional Emergency Battery options.
- ④ Max mounting height of fixture is 10' (10 feet)
- ⑤ Due to form and fit, final selection of the Battery Pack under discretion of Factory