

**Puff Series**  
**LINEAR FAMILY**  
 Energy Saving LED Luminaire

CATALOG #		TYPE
PROJECT/LOCATION		
APPROVED BY		

**SPECIFICATIONS**

**Features**

The molded white cloud diffuser has rounded corners and edges for a soft pillow appearance. It can be used in various applications including corridors, kitchens and public spaces.

**Construction**

Housing is 16-gauge aluminum. Two 5/16" mounting holes are included. Power supply connections can be made inside the fixture wire way or in a junction box (not included).

**Finish**

Back plate is finished in lighting grade white baked gloss enamel paint.

**Diffuser**

Diffuser is made of a high strength lighting plastic material with high impact properties. Four clips on the two edges of the diffuser allow it to lift and shift for easy removal.

**Electrical**

120-277 Universal 50/60Hz AC Driver Standard

**Lamping**

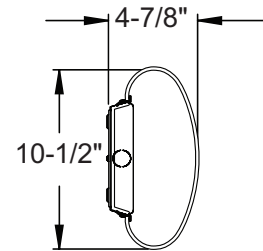
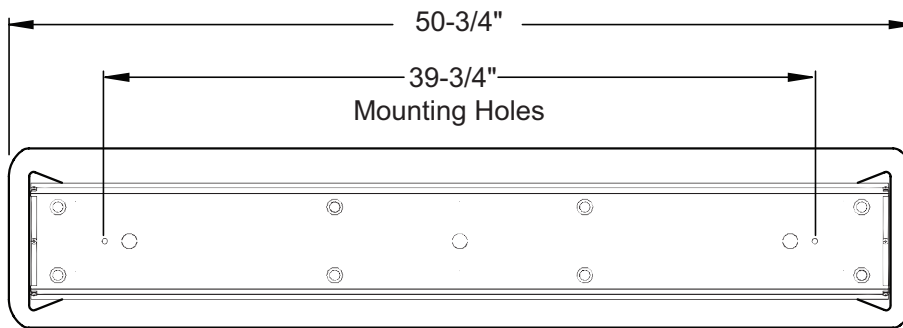
LED 50 watt

**Certification**

All fixtures are cULus listed for damp locations.

**Options (consult factory)**

120-277V HPF  
 Dimming  
 Emergency battery back-up



**ORDERING GUIDE:**

Series	Lamp Type/Watt	Color Temp	Voltage: Primary/Emergency	Finish	Options
PF					

**SERIES**  
 PF = Linear Puff SERIES

**LAMP TYPE/QUANTITY/WATTAGE**  
 LED50 = 50 Watt LED

**COLOR TEMP (LED, Induction)**  
 3K = ±3000K range Induction Only  
 4K = ±4000K range Induction Only  
 5K = ±5000K range LED or Induction

**VOLTAGE**  
 EBU = Universal Voltage (120 thru 277v)

**FINISH:**  
 WH = White Finish

**OPTIONS**  
 LDIM = Dimming Ballast – Consult Factory  
 EL = Emergency Battery – Consult Factory