

714 - 724 Series

VANDAL RESISTANT FIXTURE

Wall Or Ceiling Mount

LED



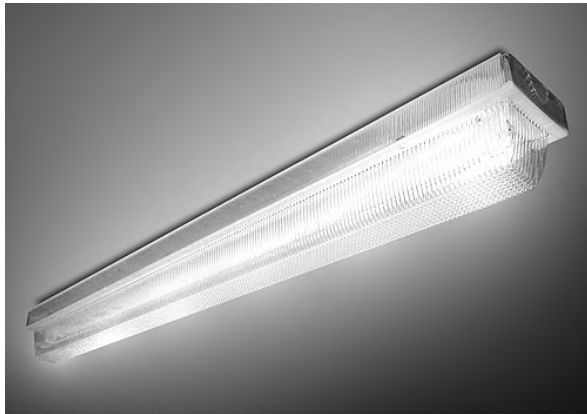
ARRA
Compliant

We reserve the right to revise the design or components of any product without notice.

CATALOG #		TYPE
PROJECT/LOCATION		
APPROVED BY		

SPECIFICATIONS

- DRIVER — EBU – Universal volt (120-277v) Electronic Driver is standard for LED.
- EMERGENCY — Integral LED Emergency Battery.
- HOUSING — Heavy 16G cold rolled steel with internally reinforced double thickness welded ends for maximum strength and rigidity.
- REFLECTOR — 20G cold rolled steel die formed with multiple bends for maximum rigidity and unitized with all electrical components.
- FINISH — All metal parts are phosphate pre-treated and finished in white oven baked polyester powder coat.
- LENS — .187 thick U.V. stabilized clear prismatic POLYCARBONATE lens installed in double wall lens channels in housing to deter unwanted entry to lamp compartments — totally encloses exterior.
- LENS FASTENERS — Stainless steel tamperproof screws to secure lens in place (3) on each side—(6) total.
- LIGHT ENGINE — Light Emitting Diode (LED).
- COMPLIANCE — Built to comply with U.S. and Canadian safety standards. Ceiling Mount: Suitable For Wet Location. Wall Mount: Suitable For Damp Location.

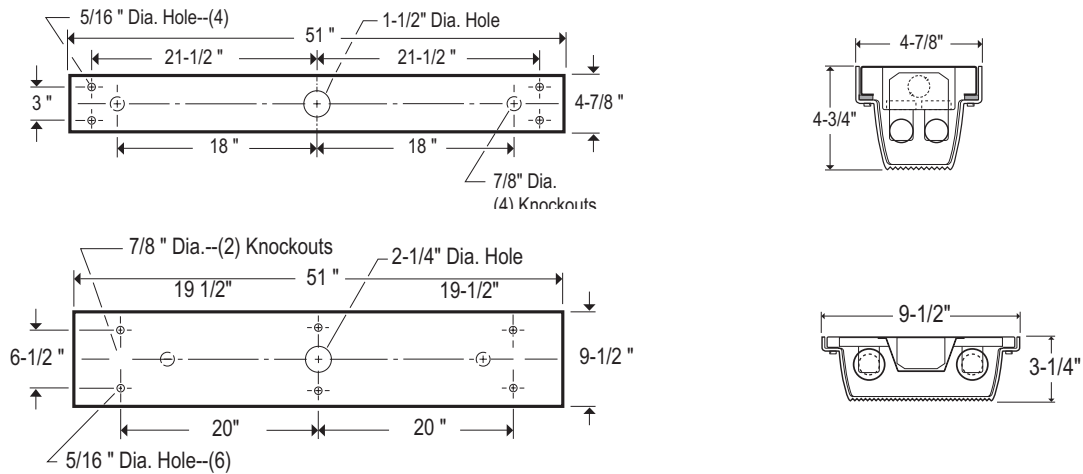


714 Series

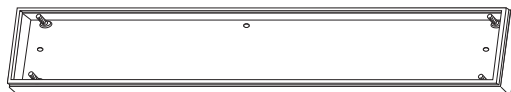


724 Series

OPTIONS



Backbox (BB) option - req'd for conduit entry



714 - 724 Series

VANDAL RESISTANT FIXTURE
Wall Or Ceiling Mount
LED

LAMP TYPE/QTY/WATTAGE ^①			
Visit www.eclipselightinginc.com for available IES files			
Fixture		714	724
Dimensions - W x H x D		51" x 4 7/8" x 3 3/4"	51" x 9 1/2" x 3 3/4"
Light Emitting Diode	LED	20w / 40w	40w / 60w / 80w ^②
*Consult Factory for Linear Fluorescent Lamping			

ORDERING GUIDE:

	Series	Lamp/Wattage	Color Temp	Voltage	Finish	Options

SERIES

714 = 714 Series
 724 = 724 Series

LAMP TYPE/QUANTITY/WATTAGE

Refer to Above Chart

LED COLOR TEMPERATURE

3K = ±3000K range LED
 4K = ±4000K range LED
 5K = ±5000K range LED
 65K = ±6500K range LED

VOLTAGE

120 = 120 Volts
 277 = 277 Volts
 347 = 347 Volts
 EBU = Universal Volt (120-277v) Electronic Driver
 2EBU = Two (120-277v) Electronic Drivers

FINISH

WH = White

OPTIONS

9002 = Tamperproof Screwdriver
 BB = Backbox for conduit entry - Required where ^② Shown
 FUS = Single Fusing
 DFUS = Double Fusing
 GTD = Generator Transfer Device (Bodine)
 TDM = Tandem Mount – 714 Only ^②
 — Backbox Required for TDM
 — Includes Mounting Hardware

LED OPTIONS

D7 = 0-10V low-voltage LED Dimming (100-30% Standard, Consult Factory for Other)
 D8 = LED Dimming: Forward Phase (Triac)
 GC = Diffusion Lens for Glare Control of LED
 BL1 = Bi-Level Light (High/Low)
 — Single AC Input Feed, with Switch Sensor (Required)
 BL2 = Bi-Level Light (High/Low)
 — Wired for Dual AC Input Feeds
 SG = 10KA Surge Protection for LED fixtures (meets ANSI spec C62.41.2)
 MS11 = Motion Sensor Integral 1 ^④ (Microwave/Single Circuit)
 — Steps: 0% - 100% - 0%
 MS12 = Motion Sensor Integral 2 ^④ (Microwave/Single Circuit)
 — Steps: xx% - 100% - xx%
 — xx% = LOW Level and/or STANDBY Dim Levels:
 Options: 50% / 30% / 20% / 10%

EMERGENCY BATTERY OPTIONS ^{③⑤}

No onsite Emergency Power (AC or DC) is provided
 Specify Fixture Voltage: 120V or 277V Power Feed
 A=120V or B=277V

Meets California Energy Commission Title 20: (CEC-400-2014-009-CMF) Efficiency Standards

*NOTE: 714 Series Requires Backbox for Integral EL.

EL4W = Integral LED 4 Watt
 EL8W = Integral LED 8 Watt
 EL16W = Integral LED 16 Watt
 EL20W = Integral LED 20 Watt

REL4W = Remote LED 4 Watt
 REL8W = Remote LED 8 Watt
 REL16W = Remote LED 16 Watt
 REL20W = Remote LED 20 Watt

Cold Weather Emergency Batteries:

Operating Temp: -20°C thru 50°C

NON-CEC Compliant

*NOTE: 714 Series Requires Backbox for Integral EL.

EL10W-CW = Integral LED 10 Watt (Cold Weather)
 EL23W-CW = Integral LED 23 Watt (Cold Weather)

REL10W-CW = Remote LED 10 Watt (Cold Weather)
 REL23W-CW = Remote LED 23 Watt (Cold Weather)

NOTES:

- ① Consult Factory with requests regarding lamp sources, wattages or voltages not shown.
- ② Backbox (BB) Required (where text bold and note# ^② shown)
- ③ Consult Factory for additional Emergency Battery options.
- ④ Max mounting height of fixture is 10' (10 feet)
- ⑤ Due to form and fit, final selection of the Battery Pack under discretion of Factory