

572-N • 574-N

Vandal Resistant Narrow Linear Fixture Selectable or Static LED Wattage / CCT Wet Location (Covered Ceiling)

We reserve the right to revise the design or components of any product without notice.

CATALOG #		TYPE
PROJECT/LOCATION		
APPROVED BY		

SPECIFICATIONS

- APPLICATIONS — Stairwells, Locker Rooms, Corridors, Hallways, Lavatories.
- DRIVER — Universal volt (120-277v) electronic driver.
- FASTENERS — Flat head stainless steel torx screws.
- FINISH — Polyester powder coated finish.
- HOUSING — Aluminum housing and heatsink.
- LENS — Polycarbonate translucent lens for uniform light distribution.
- LIGHT ENGINE — Energy Efficient LED.
- MOUNTING — Mounts to ceiling J-BOX via pre-cut mounting holes.
- COMPLIANCE — Built to comply with U.S. and Canadian Safety Standards.
Complies with CE, CB, SAA, and the Buy American Act. ETL listed and suitable for indoor wet locations (covered ceiling).
- WARRANTY — 5-year Limited Warranty.



ORDERING INFO - SELECTABLE WATTAGE/CCT SERIES

ORDERING GUIDE:	Series	Wattage	CCT	Voltage	Finish	Options
		SLED	SCCT	UNV		
SERIES 572-N = 572 Narrow 2-Foot LED Linear Series 574-N = 574 Narrow 4-Foot LED Linear Series			VOLTAGE UNV = Universal Volt (120-277v) Electronic Driver — Non-Dimmable			BACK BOX OPTIONS BBX2 = Back Box for 2-Foot BBX4 = Back Box for 4-Foot
WATTAGE SLED = *Selectable LED Wattage — 572-N: 20W 30W 40W — 574-N: 35W 42W 50W			STANDARD FINISH WH = White Finish			SENSOR OPTIONS OCC = Occupancy Sensing Motion Sensor Integral ²⁰ — Standby Dim Level Presets: ON/OFF (0%/100%)
COLOR TEMPERATURE (CCT) SCCT = *Selectable CCT: 3000K 4000K 5000K			PREMIUM UPCHARGE FINISH BK = Black Finish BZ = Bronze Finish SGR = Silver Gray Finish CC = Custom Color (Visit www.ralcolor.com) — Provide RAL# or Make-to-Match Color Chip			EMERGENCY BATTERY OPTIONS EL10W = Integral 10 Watt Emergency Battery
<i>*Note: Fixtures will ship from factory at lowest wattage and warmest CCT. It is the installer's responsibility to set the fixture at the desired wattage and CCT for their project.</i>						MISC OPTIONS TDM = Tandem Joined Fixtures ²

ORDERING INFO - STATIC WATTAGE/CCT SERIES

ORDERING GUIDE:	Series	Wattage	CCT	Voltage	Finish	Options
				UNV		
SERIES 572-N = 572 Narrow 2-Foot LED Linear Series 574-N = 574 Narrow 4-Foot LED Linear Series			STANDARD FINISH WH = White Finish			CONTROL OPTIONS (Choose from Manual or Sensor) MANUAL CONTROL (Wall Switch or Control System) Note: Cannot be used with Sensor Controls below Note: 0-10V (100-30%) Dimming is Standard D7A = 0-10VDC LED Dimming Driver (100-10%) D7B = 0-10VDC LED Dimming Driver (100-1%)
WATTAGE Note: Refer to Below Chart for Size / Wattage Compatibility LED(xx) = LED (xx = Wattage, ex: LED40)			PREMIUM UPCHARGE FINISH BK = Black Finish BZ = Bronze Finish SGR = Silver Gray Finish CC = Custom Color (Visit www.ralcolor.com) — Provide RAL# or Make-to-Match Color Chip			OR Sensor Control (Sensor Integral to Fixture) Note: Cannot be used with Manual Controls above OCC = Occupancy Sensing Motion Sensor Integral ²⁰ — Standby Dim Level Presets: ON/OFF (0%/100%) BLD = Bi-Level Dimming Motion Sensor Integral ²⁰ — Standby Dim Level Presets: 10% / 20% / 30% (Standard) / 50%
COLOR TEMPERATURE (CCT) 3K = ±3000K range LED 35K = ±3500K range LED 4K = ±4000K range LED 5K = ±5000K range LED			BACK BOX OPTIONS BBX2 = Back Box for 2-Foot BBX4 = Back Box for 4-Foot			EMERGENCY BATTERY OPTIONS EL10W = Integral 10 Watt Emergency Battery
VOLTAGE UNV = Universal Volt (120-277v) Electronic Driver — 0-10V Dimming (100-30%) is Standard						MISC OPTIONS TDM = Tandem Joined Fixtures ²

Fixture		572-N	574-N
Light Emitting Diode	LED	20W / 30W / 40W	30W / 40W / 50W

- NOTES:**
² Backbox (BB) Required.
²⁰ Max mounting height is 18' (18 feet).

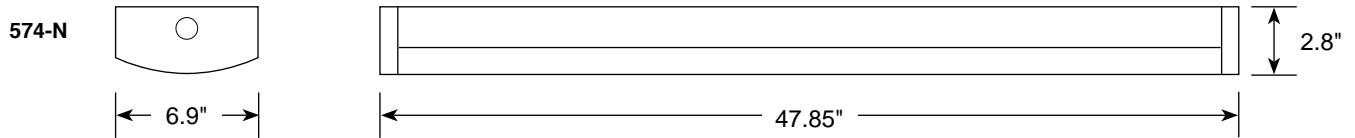
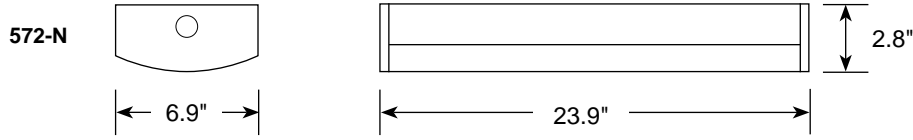
572-N · 574-N

Vandal Resistant Narrow Linear Fixture
Selectable or Static LED Wattage / CCT
Wet Location (Covered Ceiling)

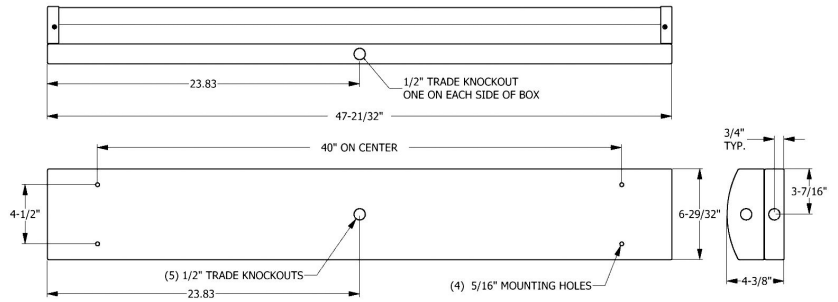
We reserve the right to revise the design or components of any product without notice.

CATALOG #		TYPE
PROJECT/LOCATION		
APPROVED BY		

DIMENSIONS



BACK BOX OPTION



PHOTOMETRIC DATA

Summary of Results 574-N-LED42-4K-UNV					
Lumen Output	Efficacy	Input Power	CCT	Distribution	BUG Rating
5,668.6 Lumens	129.4 Lm/W	43.79W	4000K	Type VS	B2-U3-G2

LCS Summary	
Zone	Lumens
Forward Low (0-30)	680.6
Forward Medium (30-60)	1309.1
Forward High (60-80)	551.0
Forward Very High (80-90)	114.2
Back Low (0-30)	683.9
Back Medium (30-60)	1323.6
Back High (60-80)	560.6
Back Very High (80-90)	117.1
Up Low (90-100)	116.5
Up High (100-180)	212.0

