

TUNDRA

Energy Saving Square Area Luminaire LED

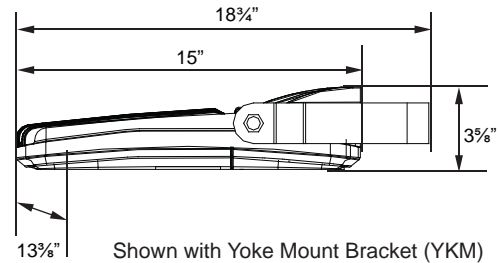


We reserve the right to revise the design or components of any product without notice.

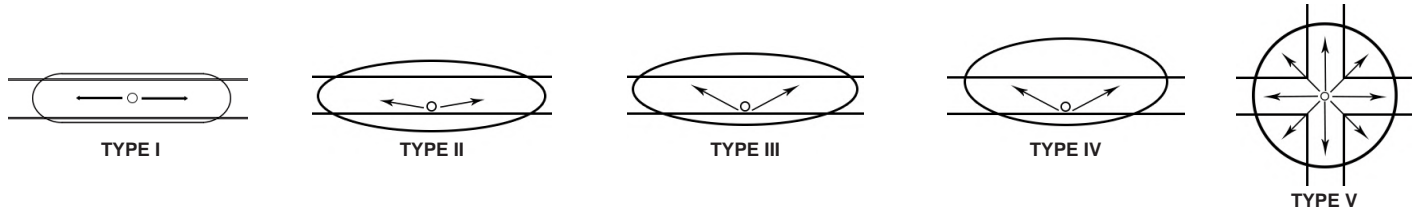
CATALOG #		TYPE
PROJECT/LOCATION		
APPROVED BY		

SPECIFICATIONS

- HOUSING** — Precision die cast aluminum housing and lens frame. Housing is designed with integral heat sinking for proper thermal management of LED arrays. Concealed internal driver compartment designed to provide long life for LED drivers.
- LENS** — .156" thick clear, tempered glass lens (TYPE 3 Distribution) provided as standard. Clear Prismatic Glass (CP) with Medium Beam Spread option available.
- FINISH** — Cast aluminum housing, Lens Frame and optional mounting hardware finished in chip & fade resistant polyester powder coating. Bronze finish standard with custom colors available. Consult factory on custom finish options.
- GASKETING** — High temp., non-aging black EPDM gasketed seal. Seals die cast lens frame to the die cast housing to protect against exterior contaminants.
- DRIVER** — Universal voltage (120 thru 277 Volt) supplied as standard. Optional 347 Volt available. Bi-Level operation and 0-10V Dimming available. See LED options.
- LIGHT DISTRIBUTION** — Type I thru Type V Distribution. See chart for Wattage/Lumen info.
- LED ARRAY** — Offered in either 81W or 125W versions. LED arrays have a minimum CRI of 72 and rated for 50,000 hours of operational life. Aluminum clad substrate is used for all LED arrays to provide proper thermal management of the LEDs and to extend operational life of the array.
- DELIVERED LUMENS** — 81 watt version with Clear Glass Optic (**7097 Lumens**). 81 watt version with Clear Prismatic Glass (**7751 Lumens**). 125 watt version with Clear Prismatic Glass (**10,530 Lumens**).
- MOUNTING** — Numerous mounting options available. (**BRKM**) Two Piece Swivel Mount Bracket, (**EHM**) Easy Hang Wall Mount Bracket, (**KARM**) One Piece Die Cast Arm Mount, designed for square poles, (**SFM**) Slip-fitter Flood Mount Bracket, (**SSM**) Slip-fitter Street Mount Bracket, (**YKM**) Yoke Mount Bracket. Also available to choose from six different pole mount head options. See Mounting Options and illustrations on Page 2.
- COMPLIANCE** — Built to comply with U.S. and Canadian Safety Standards. Suitable for Wet Locations. IP66 Tested & Approved. Complies with Buy American Act.
- WARRANTY** — Standard 5 Years, defects and workmanship.
*Consult Factory for Extended Conditional Warranty.



LED DISTRIBUTION TYPES



LED WATTAGE / COLOR TEMP / DISTRIBUTION TYPE COMPATIBILITY AND LUMENS					
LED WATTAGE / COLOR TEMP	TYPE I	TYPE II	TYPE III	TYPE IV	TYPE V
LED81 / 3000K	N/A	N/A	9202 Lumens	8643 Lumens	8778 Lumens
LED81 / 4000K	9417 Lumens	8984 Lumens	9869 Lumens	9269 Lumens	9414 Lumens
LED81 / 5000K	10,099 Lumens	9634 Lumens	10,583 Lumens	9940 Lumens	10,095 Lumens
LED125 / 3000K	N/A	N/A	N/A	11,738 Lumens	12,716 Lumens
LED125 / 4000K	13,641 Lumens	13,013 Lumens	14,296 Lumens	12,588 Lumens	13,637 Lumens
LED125 / 5000K	14,629 Lumens	13,995 Lumens	15,331 Lumens	13,499 Lumens	14,624 Lumens

ORDERING GUIDE: Series Distribution Type LED Wattage Color Voltage Finish Options

SERIES

TD = Tundra Series (18 3/4" L x 13 3/8" W x 3 3/8" D)

LED DISTRIBUTION TYPE

- TYPE I = Type I Distribution (15° Lateral Width)
- TYPE II = Type II Distribution (25° Lateral Width)
- TYPE III = Type III Distribution (40° Lateral Width)
- TYPE IV = Type IV Distribution (60° Lateral Width)
- TYPE V = Type V Distribution (360° Coverage)

LED WATTAGE

- LED81 = 81 Watt LED
- LED125 = 125 Watt LED

LED COLOR TEMPERATURE

- 3K = ±3000K range
- 4K = ±4000K range
- 5K = ±5000K range

VOLTAGE

- 347 = 347 Volts (For LED81 Watt Only)
- EBU = Universal Volt (120-277v) Electronic Driver
*Consult Factory for Other Voltages

FINISH

- BZ = Bronze
- CC = Custom Color
(Consult Factor for Other Finishes)

OPTIONS

See 2nd Page for Options



MOUNTING OPTIONS



Bracket Mount (BRKM)



Easy Hang Wall Bracket Mount (EHM)



One Piece Die Cast Arm Mount (KARM)



Pole Mounting Arm Adapter (PARM)



Slipfitter Flood Mount (SFM)



Slipfitter Street Mount (SSM)



Yoke Mount (YKM)



Pole Mount Option 1 (P1)



Pole Mount Option 2 (P2)



Pole Mount Option 3 (P3)



Pole Mount Option 4 (P4)



Pole Mount Option 5 (P5)



Pole Mount Option 6 (P6)

ORDERING GUIDE:

Series	Distribution Type	LED Wattage	Color	Voltage	Finish	Options
<input type="text"/>	<input type="text"/>	<input type="text"/>	<input type="text"/>	<input type="text"/>	<input type="text"/>	<input type="text"/>

OPTIONS[®]

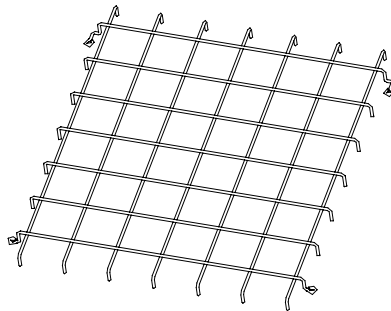
- 9206 = Photocell 120V
- 9221 = Photocell 277V
- 9328 = Universal Photocell 120/277V
- ARM = Extended Arm—Specify Length: 6", 10" or 12"
- CP = Clear Prismatic Glass
- FUS = Single Fusing
- SG = 10KA Surge Protection for LED (meets ANSI spec C62.41.2)
**Consult Factor for Alternate Surge Protection Options*
- WG = Wire Guard (Stainless Steel Construction)

DIMMING OPTIONS[®]

- BL1 = Bi-Level Light (High/Low)
— Single AC Input Feed
— Switch Sensor Required
- BL2 = Bi-Level Light (High/Low)
— Wired for Dual AC Input Feeds
- D7 = 0-10V low-voltage dimming (100-30% Standard, Consult Factory for Other)
- MSE = Motion Sensor External; Single circuit, all on, all off
Specify Finish: White (WH)/Bronze (BZ)
- MSE2 = Motion Sensor External; Dual circuit, half on half off
Specify Finish: White (WH)/Bronze (BZ)

MOUNTING OPTIONS[®]

- BRKM = Two-Piece Swivel Bracket Mount
- EHM = Easy Hang Wall Bracket Mount
- KARM = One Piece Die Cast Arm Mount (Attaches Directly to Square Poles)
- PARM = Pole Mounting Arm Adapter, Fits 2-3/8" Arm Includes Hardware, Bronze Finish
- SFM = Slipfitter Flood Mount
- SSM = Slipfitter Street Mount
- YKM = Yoke Mount
- P1 = Single Pole Tenon Spoke Bracket
- P2 = Twin Pole Tenon Spoke Bracket, 90° Arms
- P3 = Twin Pole Tenon Spoke Bracket, 180° Arms
- P4 = Triple Pole Tenon Spoke Bracket, 90° Arms
- P5 = Triple Pole Tenon Spoke Bracket, 120° Arms
- P6 = Quad Pole Tenon Spoke Bracket, 90° Arms



Wire Guard (WG)

NOTES:

- 1 Consult Factory with requests regarding alternate power control systems including Motion Sensing, Daylight Harvesting, Bi-Level Control, LED Drivers and alternate wattages.
- See next page for photometric diagrams and visit www.eclipselightinginc.com for Photometric IES Reports.
- Please note LEDs are constantly evolving and LPW are subject to change.

PHOTOMETRIC DATA

Test # 70041259-2

CATALOGUE #: TD-LED81-5K-EBU

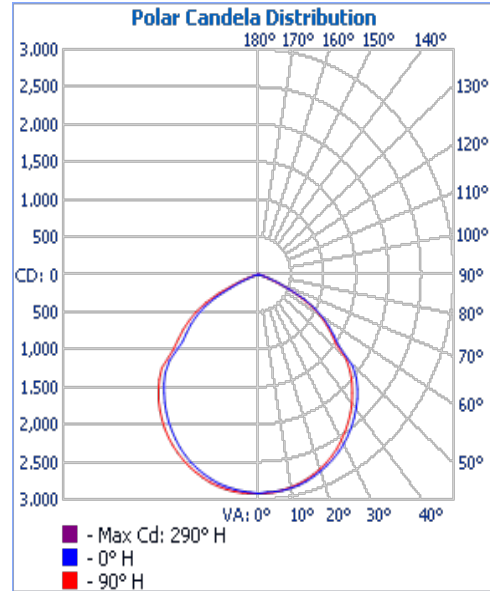
Test Date: 7/31/2015 — Tested in accordance with LM-79-80. The results contained in this summary report pertain only to the tested sample.

Summary of Results	
Total Lumen Output	7752
Efficacy (Lm/W)	83.15

Electrical Test Conditions				
Temp	Voltage	Current	Power	Power Factor
25°C (±1°C)	120.0	0.7337 Amps	87.65	0.9951

Zonal Lumen Summary		
Zone	Lumens	%Luminaire
0-30	2325.6	30
0-40	3864.2	49.9
0-60	6840.6	88.3
60-90	908.3	100
0-90	7748.9	100.0
90-180	0.0	0.0
0-180	7748.9	100.0

Cone of Light Tabulation (Beam Angle)			
Mounting Height (Ft)	Footcandles at Nadir	Diameter (Ft)	
5.0	116.80	13.7	14.0
10.0	29.20	27.4	27.9
15.0	12.98	41.1	41.9
20.0	7.30	54.7	55.9
25.0	4.67	68.4	69.8



PHOTOMETRIC DATA

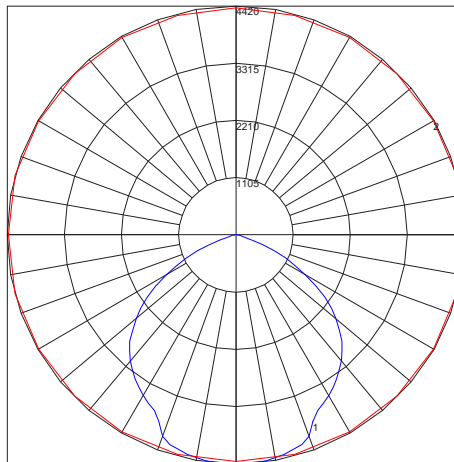
Test # Q2014102301

CATALOGUE #: TD-LED125-5K-EBU

Test Date: 10/23/2014 — Tested in accordance with LM-79-80. The results contained in this summary report pertain only to the tested sample.

Summary of Results	
Total Lumen Output	13573
Efficacy (Lm/W)	78

Zonal Lumen Summary		
Zone	Lumens	%Luminaire
0-30	1669.3	15.9
0-60	4603.7	43.8
60-90	659.3	6.3
0-90	6932.3	66.0
90-180	4.5	0.0
0-180	10530.5	100.0



Maximum Candela = 4419.503 Located At Horizontal Angle = 15, Vertical Angle = 2.5
 # 1 - Vertical Plane Through Horizontal Angles (15 - 195) (Through Max. Cd.)
 # 2 - Horizontal Cone Through Vertical Angle (2.5) (Through Max. Cd.)