

Nome

LED Multi-Purpose Surface Mount High/Low Bay Luminaire



We reserve the right to revise the design or components of any product without notice.

CATALOG #		TYPE
PROJECT/LOCATION		
APPROVED BY		

SPECIFICATIONS

- HOUSING — Upper shroud features acrylic which yields high light efficiency and while emitting an ambient glow.
- DIFFUSER — 16" dia. acrylic bottom lens controls brightness and illumination levels.
- DRIVER — Universal Voltage (120~277V) supplied as Standard.
- EMERGENCY — Optional (EL) Integral Remote Emergency Battery.
- LIGHT ENGINE — Energy Efficient Light Emitting Diode.
- MOUNTING — Ceiling Surface Mount (SM) or Pendant (PEND). See 2nd Page for Additional Mounting Options.
- WEIGHT — Approximate 18lbs.
- STEM — 1/2" trade size, galvanized, 12" long stem standard. Optional lengths available, consult factory.
- COMPLIANCE — Built to comply with U.S. and Canadian Safety Standards. Suitable for Wet Locations. IP66 Tested and Approved.

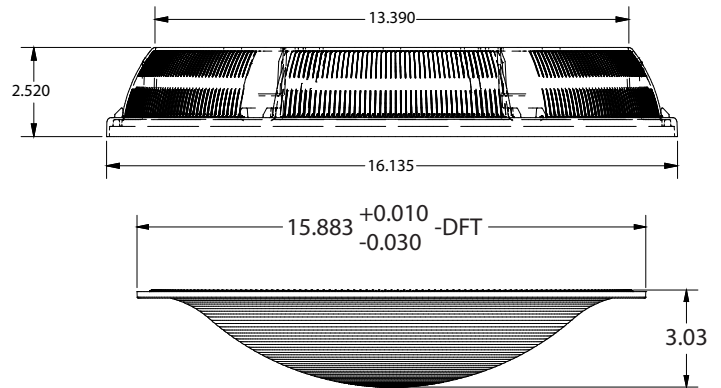
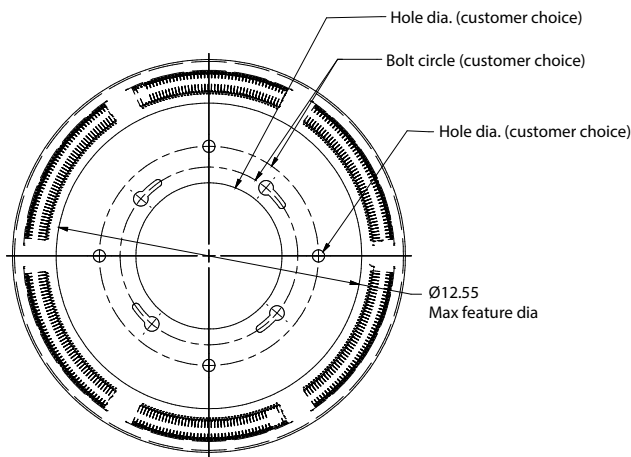


Close up of Nome, Showing Top Shroud & Bottom Lens
Type V - Batwing Distribution (See Last Page)



Nome
Pendant Mount (PEND)

DIMENSIONS



Nome

LED Multi-Purpose Surface Mount High/Low Bay Luminaire

ORDERING GUIDE:

Series	Mounting	Lamp/Wattage	Color	Voltage	Finish	Options

SERIES

NM = Nome Series
16" dia. x 8.8" h — 18lbs

MOUNTING

CAM = Crook Arm Mount
(Goose neck Wall Mount)

HOOK = Hook Mount

PEND = Pendant Mount
1/2" IPS Conduit Stem (12" is Standard)
For Other Stem Lengths (Consult Factory)

Choose Pendant Canopy Style:

SWC-R = Swivel Canopy for 4" Round J-Box
SWC-RR = Swivel Canopy for 4" Round J-Box
— Rapid Mount with Hinged Door
SWC-S = Swivel Canopy for 4" Square J-Box
SWC-SR = Swivel Canopy for 4" Square J-Box
— Rapid Mount with Hinged Door

Note: See Page 3 for Images/Examples

PEND-AC = Pendant with Aircraft Cable Suspension

QSB = Hinged Quick-Stall Box with Latches

RMBHS = Rapid Mount Hang Straight Swivel
Pendant Mount Box

RMBXL = Rapid Mount Box

SM = Surface Mount (**STANDARD**)

LED WATTAGE

LED35 = 35 Watt LED
(replaces up to MH50)

LED55 = 55 Watt LED
(replaces up to MH100)

LED75 = 75 Watt LED
(replaces up to MH150)

LED100 = 100 Watt LED
(replaces up to MH175)

Note: See Page 4 for Photometric Data

LED COLOR TEMPERATURE

27K = ±2700K range

3K = ±3000K range

35K = ±3500K range

4K = ±4000K range

5K = ±5000K range

VOLTAGE

347 = 347 Volts

EBU = Universal Volt (120-277v) Electronic

55DC = 55 Watt DC
(Consult Factory for Other DC Wattages)

FINISH

BK = Black

BZ = Bronze

CC = Custom Color (Consult Factory)

PNA = Painted Natural Aluminum

WH = White—Standard

OPTIONS

9002 = Tamperproof Screw Driver

BC = Bird Cage

CR = Custom Requirements

DFUS = Double Fusing

FUS = Single Fusing

HSS = House Side Shield (120° is Standard).

**NOTE: HSS option available for Denali Series ONLY*

SSL1 = Stainless Steel Latches for QSB mounting option

TPS = Stainless Steel Tamper Proof Locking Screw
(Used with QSB Option)

LENS OPTIONS

ACRC = Acrylic Frosted Shroud & Acrylic Clear Bottom Lens
— ACRC comes **STANDARD** for Nome

ACRF = Acrylic Frosted Shroud & Acrylic Frosted Bottom Lens

PCC = Polycarbonate Frosted Shroud and Polycarbonate
Clear Bottom Lens

DIMMING / SENSOR OPTIONS

BL1 = Bi-Level Light (High/Low)

— Single AC Input Feed
— Switch Sensor is Required

BL2 = Bi-Level Light (High/Low)
— Wired for Dual AC Input Feeds

CT = Color Tunable (Consult Factory)

D7 = 0-10V low-voltage dimming
(100-30% Standard)

D8 = LED Dimming: Forward Phase/Leading
Edge (Triac)—Not Available All Models

D9 = LED Reverse Phase/Trailing Edge ELV
—Not Available All Models (Consult Factory)

D11 = DALI LED Dimming Driver (Consult Factory)

D12 = Lutron LED Dimming Driver (Consult Factory)

D13 = LED Step Dimming

MS11 = Motion Sensor Integral 1 (*Microwave/Single Circuit*)
— Steps: 0% - 100% - 0%

MS12 = Motion Sensor Integral 2 (*Microwave/Single Circuit*)
— Steps: xx% - 100% - xx%

— xx% = LOW Level and/or STANDBY Dim Levels:
Options: 50% / 30% / 20% / 10%

MS13 = Motion Sensor Integral 3 (*Microwave/Single Circuit*)
— Steps: 0% - xx% - 100%

— xx% = LOW Level and/or STANDBY Dim Levels:
Options: 50% / 30% / 20% / 10%

W10 = 10 Year Pro-Rated Limited Warranty

EMERGENCY BATTERY / PROTECTION OPTIONS

Factory Recommended

EL4W = LED 4 Watt (Integral)

SG = 10KA Surge Protection for LED
fixtures (meets ANSI spec C62.41.2)

PENDANT SWIVEL CANOPY TYPES



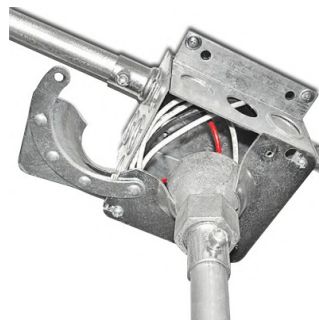
**Swivel Canopy 4" for
Round/Octagonal J-BOX (SWC-R)**



**Swivel Canopy 4" for
Square J-BOX (SWC-S)**



**Swivel Canopy 4" for
Round/Octagonal J-BOX
Rapid Mount with Hinged Door
(SWC-RR)**



**Swivel Canopy 4" for
Square J-BOX
Rapid Mount with Hinged Door
(SWC-SR)**

Test # 06244

NM-PEND-LED70-EBU-WH

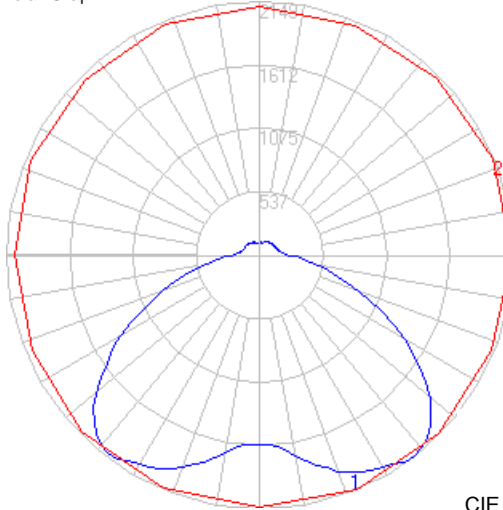
Test Date: 01/4/2018 — Tested in accordance with LM-79-80. The results contained in this summary report pertain only to the tested sample

Summary of Results					
Total Lumen Output	Efficacy	Mounting	Stabilization Time	Color Rendering Index	Correlated Color Temperature
9141.97 Lumens	131.24 Lumens Per Watt	Pendant	71 Minutes	76.1898	3983K

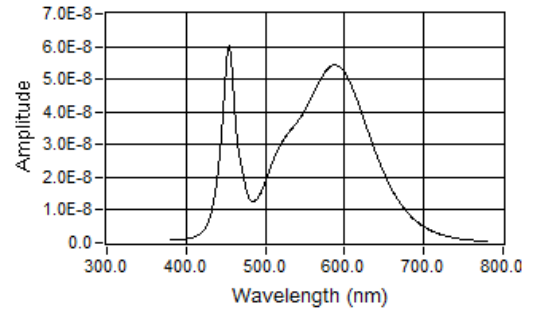
Electrical Test Conditions								
Temp	Voltage	Current	Power	Power Factor	Frequency	Current THD	Test Distance	Test Time
24.70°C (±1°C)	119.99V	0.5833A	69.66	0.99	60.00Hz	5.72%	22.25 Feet	105 Minutes

Zonal Lumen Summary		
Zone	Lumens	%Luminaire
0-30	1603.09	17.54
0-40	2928.48	32.03
0-60	5945.04	65.03
0-90	8181.84	89.50
90-110	376.22	4.12
90-130	650.82	7.12
90-150	861.74	9.43
90-180	960.13	10.50

Polar Graph



Source Spectrum



CIE 1976 Colorspace

u'v' Color Uniformity Graph (0 and 90 deg)

