

Kiev

FULL CUT-OFF WALL PACK FAMILY

Low Height Wall Mount

Vandal Resistant LED

We reserve the right to revise the design or components of any product without notice.

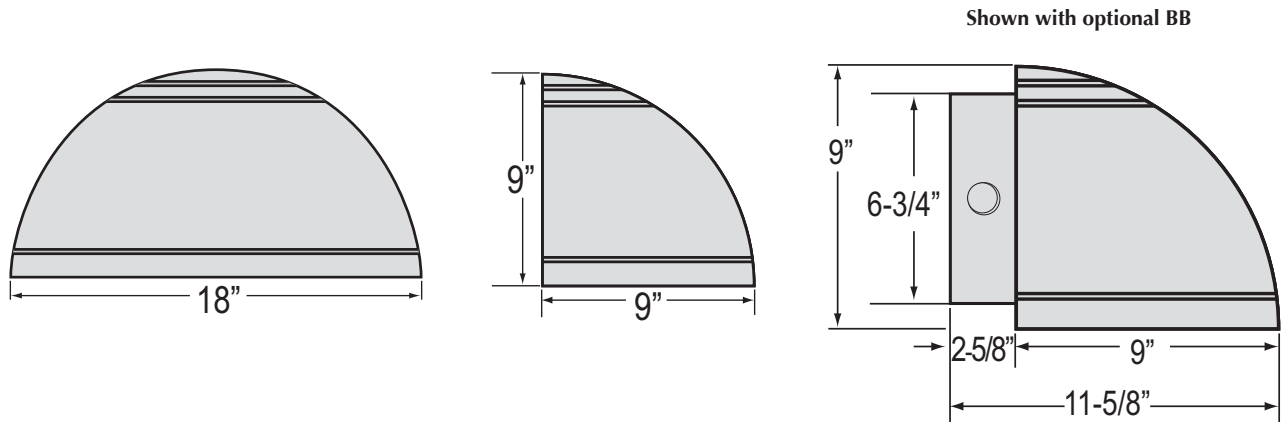
CATALOG #		TYPE
PROJECT/LOCATION		
APPROVED BY		

SPECIFICATIONS

- BACKBOX — Optional Backbox (BB): 14 gauge die formed aluminum backbox, used for supplying power to the luminaire via surface conduit. Supplied with (4) four 1/2" trade knockouts, one on each side.
- BACKPLATE — Cast aluminum.
- DRIVER — Universal Voltage 120/277v Electronic Driver is standard for LED.
- EMERGENCY — LED — Remote or Integral.
- GASKETING — High temperature, non-aging black EPDM and/or neoprene rubber concealed in housing pocket and enclosed by cast-in drip shield and rear wire entrance hole to protect against outside contaminants.
- HOUSING — Heavy die cast aluminum with wire access on back through threaded 1/2" conduit size entrance holes. Finished in Bronze oven baked Polyester Powder Coat.
- LIGHT ENGINE — Energy Efficient Light Emitting Diode (LED).
- LENS — Clear Tempered Flat Glass Standard.
- REFLECTOR — Anodized aluminum for high efficiency and reduce arc tube voltage rise.
- COMPLIANCE — Built to comply with U.S. and Canadian safety standards. Suitable for Wet Locations.



DIMENSIONS



Kiev

FULL CUT-OFF WALL PACK FAMILY

Low Height Wall Mount

Vandal Resistant LED

ORDERING GUIDE:	Series	Style	Reflector	Lamp/Wattage	Color	Voltage	Finish	Options

SERIES

KV = Kiev Series

STYLE

A = Direct (Downlight)
B = Indirect (Uplight: INDOOR ONLY)

REFLECTOR

FT = Forward Throw Distribution
WS = Wide Spread Distribution

LED WATTAGES¹

LED20 = 20 Watt LED (2600 Initial Lumens)
LED30 = 30 Watt LED (3900 Initial Lumens)
LED40 = 40 Watt LED (5200 Initial Lumens)

LED COLOR TEMPERATURE

3K = ±3000K range
4K = ±4000K range
5K = ±5000K range
65K = ±6500K range

VOLTAGE

120 = 120 Volts
277 = 277 Volts
347 = 347 Volts
EBU = Universal Voltage (120-277V) Electronic Driver
2EBU² = 2 Universal Voltage Drivers for Dual Circuit
(Specify Voltage 120 or 277v)

FINISH

BK = Black Finish
BZ = Bronze Finish – STANDARD
PNA = Painted Natural Aluminum
WH = White Finish

OPTIONS

9328 = Universal Photocell – 120/277V
BB = Backbox for Surface Conduit
FUS = Single Fusing
DFUS = Double Fusing
GTD = Generator Transfer Device (Bodine)

LED OPTIONS

BL1 = Bi-Level Light (High/Low)
— Single AC Input Feed, with Switch Sensor (Required)
BL2 = Bi-Level Light (High/Low)
— Wired for Dual AC Input Feeds
D7 = 0-10V low-voltage dimming (100-30%
Standard, Consult Factory for Other)
MSE = Motion Sensor External—Single circuit-all on, all off
Specify Finish: White (WH)/Bronze (BZ)
MSE2 = Motion Sensor External—Dual circuit, half on/half off
Specify Finish: White (WH)/Bronze (BZ)
MSI1 = Motion Sensor Integral³ (Microwave)
—Single Circuit: OFF / ALL-ON
MSI2 = Motion Sensor Integral³ (Microwave)
—Single Circuit: HALF-ON / ALL-ON
SG = 10KA Surge Protection for LED fixtures
(meets ANSI spec C62.41.2)

EMERGENCY BATTERY OPTIONS ^{2 3 5}

No onsite Emergency Power (AC or DC) is provided
Specify Fixture Voltage: 120V or 277V Power Feed
A=120V or B=277V

LED Emergency Battery ⁵

Factory Recommended

REL82 = LED 4 Watt (Remote)
REL85 = LED 20 Watt (Remote)
REL88 = LED 16 Watt (Remote)

Premium (Bodine/Iota)

EL60 = LED 7 Watt (Integral)
REL61 = LED 12 Watt (Remote)
REL63 = LED 23 Watt (Remote)
REL67 = LED 23 Watt Cold Weather (Remote)

NOTES:

- 1 Consult Factory with requests regarding lamp sources, including LED, color temp., wattages or voltages not shown.
- 2 Backbox required; BB included with Integral Emergency Battery (EL)
- 3 Consult Factory for additional Emergency Battery options not shown.
- 4 Max mounting height of fixture is 10 feet
- 5 Max WHIP length with the REL provided by the factory is 8 feet.
- 5 Due to form and fit, final selection of the Battery Pack under discretion of Factory