

HBA5

LED High Bay Smart Luminaire
Hi-Performance / Durable / Heat Resistant
Plug-and-Play Sensor Capability

We reserve the right to revise the design or components of any product without notice.

CATALOG #		TYPE
PROJECT/LOCATION		
APPROVED BY		

SPECIFICATIONS

- BEAM ANGLE — 60° / 90° / 120°
- COLOR RENDERING INDEX — +70 CRI.
- DRIVER — Universal Voltage (120-277V) Electronic Driver with 0-10V Low Voltage Dimming.
- FINISH — UV Stabilized powdercoat finish.
- HOUSING — Heavy-duty aluminum with built-in heatsink fins allowing heat to rise and dissipate.
- LENS — Polycarbonate.
- LIFETIME — 100,000hrs @ 55°C (L70)
- LIGHT ENGINE — Energy Efficient Light Emitting Diode. PF >0.95 / THD <20%.
- OPERATING AMBIENT TEMPERATURE — -30°C (-22°F) ~ 55°C (131°F).
- COMPLIANCE — Built to comply with U.S. and Canadian safety standards. ETL/cETL Listed (pending).
 Suitable for Damp Locations.
- WARRANTY — 5-Year Limited Warranty



ORDERING INFO

Series	Size & Wattage	CCT	Beam Angle	Voltage	Finish	Mounting	Options
ORDERING GUIDE: HBA5	- [] -	[] -	[] -	[] -	BK	- [] -	[]

SERIES

HBA5 = High Bay Smart 5 Series

SIZE AND WATTAGE

SMALL (8.7" Diameter)

REGULAR LUMEN PACKAGE (145LPW)

S-LED60R = 60W LED (8,700LM Initial)

S-LED100R = 100W LED (14,500LM Initial)

PREMIUM LUMEN PACKAGE (180LPW)

S-LED60P = 60W LED (10,800LM Initial)

S-LED100P = 100W LED (18,000LM Initial)

SUPERIOR LUMEN PACKAGE (200LPW)

S-LED60S = 60W LED (12,000LM Initial)

S-LED100S = 100W LED (20,000LM Initial)

MEDIUM (10.2" Diameter)

REGULAR LUMEN PACKAGE (145LPW)

M-LED120R = 120W LED (17,400LM Initial)

M-LED150R = 150W LED (21,750LM Initial)

PREMIUM LUMEN PACKAGE (180LPW)

M-LED120P = 120W LED (21,600LM Initial)

M-LED150P = 150W LED (27,000LM Initial)

SUPERIOR LUMEN PACKAGE (200LPW)

M-LED120S = 120W LED (24,000LM Initial)

M-LED150S = 150W LED (30,000LM Initial)

LARGE (11.8" Diameter)

REGULAR LUMEN PACKAGE (145LPW)

L-LED200R = 200W LED (29,000LM Initial)

PREMIUM LUMEN PACKAGE (180LPW)

L-LED200P = 200W LED (36,000LM Initial)

SUPERIOR LUMEN PACKAGE (200LPW)

L-LED200S = 200W LED (40,000LM Initial)

COLOR TEMPERATURE (CCT)

3K = ±3000K range

4K = ±4000K range

5K = ±5000K range

BEAM ANGLE / LED DISTRIBUTION

60D = 60°

90D = 90° (Standard)

120D = 120°

VOLTAGE

UNV = Universal Volt (120-277v) Electronic Driver

347 = 347 Volt

STANDARD FINISH

BK = Black Finish

MOUNTING

RING = Ring for Suspension Mount (Standard)

— Chain/Cable by Others

HOOK = Hook for Suspension Mount

— Chain/Cable by Others

PEND-SWC-RR = ½" Dia., 12" Length IPS Conduit Stem

— Includes Swivel Canopy for 4" Round Box

PEND-SWC-SR = ½" Dia., 12" Length IPS Conduit Stem

— Includes Swivel Canopy for 4" Square Box

REFLECTOR OPTIONS

ALR = Aluminum Reflector

PCR = Polycarbonate Reflector (150W and 200W Only)

MISC OPTIONS

CORD = 6ft Cord and Plug (L5-15P)

WG = Wire Guard

CONTROL OPTIONS

OCC = Occupancy Sensor (Requires REMT Option)

EMERGENCY BATTERY OPTIONS

EL8W = 8 Watt Emergency Battery

EL20W = 20 Watt Emergency Battery

ACCESSORY OPTIONS (order as a separate line)

REMT = Remote Controller for Programming Sensor

Occupancy Motion Sensor
 Simple Plug-and-Play Installation
 Mounting Height: <30ft or <40ft
 Includes Pluggable Receptacle



HBA5

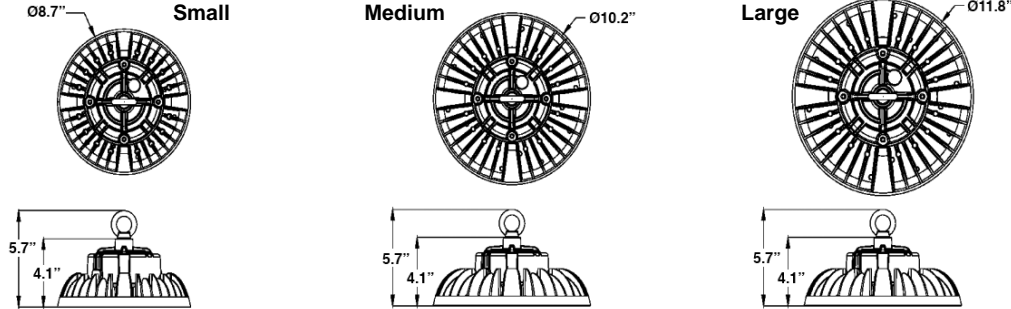
LED High Bay Smart Luminaire
Hi-Performance / Durable / Heat Resistant
Plug-and-Play Sensor Capability

We reserve the right to revise the design or components of any product without notice.

CATALOG #		TYPE
PROJECT/LOCATION		
APPROVED BY		

DIMENSIONS

WIRE GUARD OPTION



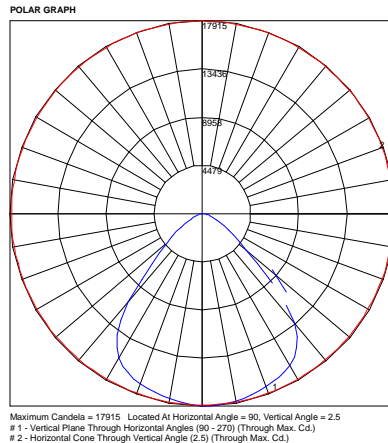
MOUNTING



PHOTOMETRIC DATA

Summary of Results		HBA5-L-LED200P-4K-90D-UNV		
Lumen Output	Efficacy	Input Power	CCT	Beam Angle
34,251.41	173.2 Lm/W	197.8W	4000K	90 Degrees

LCS Summary	
Zone	Lumens
0-10	1,684.87
10-20	4,872.82
20-30	7,431.51
30-40	8,277.64
40-50	6,318.66
50-60	3,415.36
60-70	1,501.78
70-80	647.33
80-90	101.45
90-180	0.00



Summary of Results		HBA5-L-LED200P-4K-120D-UNV		
Lumen Output	Efficacy	Input Power	CCT	Beam Angle
33,821.65	171.6 Lm/W	197.1W	4000K	120 Degrees

LCS Summary	
Zone	Lumens
0-10	1,141.51
10-20	3,280.45
20-30	5,043.81
30-40	6,173.13
40-50	6,414.49
50-60	5,620.67
60-70	4,012.74
70-80	1,892.78
80-90	242.08
90-180	0.00

