

# GLB-SE

**Low Bay Luminaire**  
**Selectable Wattage / CCT**  
**IP65 Wet Location Listed**

We reserve the right to revise the design or components of any product without notice.

CATALOG #		TYPE
PROJECT/LOCATION		
APPROVED BY		

## SPECIFICATIONS

- DRIVER — Universal Voltage (120~277V) Electronic Driver with 0-10V dimming.
- HOUSING — Die cast aluminum housing with built-in heat sink.
- LENS — Clear Polycarbonate Lens. Optional Frosted Lens.
- FINISH — Cast aluminum housing finished in black.
- LIGHT ENGINE — Energy Efficient LED - Selectable Wattage / CCT.
- LIFE SPAN — 50,000 Hrs Duty Cycle
- BEAM ANGLE — 120°(Standard) or 60°, 90°.
- COLOR RENDERING INDEX — >80± CRI.
- POWER FACTOR — ≥ 0.95.
- MOUNTING — Hook (HOOK), Surface (SM), or Pendant Mount (PEND).
- OPERATING TEMP — -30°C to 50°C.
- COMPLIANCE — Built to comply with U.S. and Canadian Safety Standards. ETL, DLC, SAA, CE, and RoHS Compliant. IP65 Waterproof, Suitable for Wet Locations.
- WARRANTY — 5 Year Limited Warranty.



## ORDERING INFO

<b>ORDERING GUIDE:</b>	<b>Series</b>	<b>Mounting</b>	<b>Wattage</b>	<b>Voltage</b>	<b>CCT</b>	<b>Beam</b>	<b>Finish</b>	<b>Options</b>

### SERIES

GLB-SE = Low Bay Luminaire - Selectable Wattage/CCT

### MOUNTING

- HOOK** = Hook Mount  
-Includes Eyelid Ring for Chain Suspension
  - SM** = Surface Mount  
-Includes Rapid Mount Box (RMB) & 6" Stem
  - PEND-SWC-RR** = 1/2" Dia., 6" Length IPS Conduit Stem  
- Includes Swivel Canopy for 4" Round Box
  - PEND-SWC-SR** = 1/2" Dia., 6" Length IPS Conduit Stem  
- Includes Swivel Canopy for 4" Square Box
- Note: See Page 3 for Images/Examples*

### WATTAGE

**Refer to Below Chart for Wattage / Lumen Output**  
**SLED-L** = \*Selectable LED Wattage - Low: 150W | 100W | 80W  
**SLED-M** = \*Selectable LED Wattages - Medium: 200W | 150W | 100W  
**SLED-H** = \*Selectable LED Wattages - High: 240W | 200W | 150W

### VOLTAGE

**347** = 347 Volt  
**480** = 480 Volt  
**UNV** = Universal Volt (120-277v) Electronic Driver

### COLOR TEMPERATURE (CCT)

**SCCT** = \*Selectable CCT  
 — 3000K (WW) | 4000K (NW) | 5000K (CW)

*\*Note: Fixtures will ship from factory at lowest wattage and warmest CCT. It is the installer's responsibility to set the fixture at the desired wattage and CCT for their project.*

### BEAM ANGLE

**60D** = 60° Beam Angle  
**90D** = 90° Beam Angle  
**120D** = 120° Beam Angle — Standard

### STANDARD FINISH

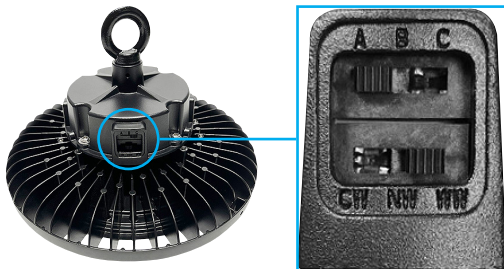
**BK** = Black

### PREMIUM UPCHARGE FINISH

**Note: Require 40pcs MoQ + Adder Charge**  
**BZ** = Bronze  
**WH** = White  
**CC** = Custom Color

### LENS OPTION

**FR** = Frosted Lens



Selectable LED Wattage / Lumen Output			
Wattage	A	B	C
<b>SLED-L</b>	150 Watt (19,500LM   3000K)	100 Watt (13,000LM   3000K)	80 Watt (10,400LM   3000K)
	150 Watt (22,500LM   4000K)	100 Watt (15,000LM   4000K)	80 Watt (12,000LM   4000K)
	150 Watt (23,000LM   5000K)	100 Watt (15,500LM   5000K)	80 Watt (12,500LM   5000K)
<b>SLED-M</b>	200 Watt (29,944LM   3000K)	150 Watt (19,500LM   3000K)	100 Watt (13,000LM   3000K)
	200 Watt (30,000LM   4000K)	150 Watt (22,500LM   4000K)	100 Watt (15,000LM   4000K)
	200 Watt (30,500LM   5000K)	150 Watt (23,000LM   5000K)	100 Watt (15,500LM   5000K)
<b>SLED-H</b>	240 Watt (33,073LM   3000K)	200 Watt (29,944LM   3000K)	150 Watt (19,500LM   3000K)
	240 Watt (36,000LM   4000K)	200 Watt (30,000LM   4000K)	150 Watt (22,500LM   4000K)
	240 Watt (36,800LM   5000K)	200 Watt (30,500LM   5000K)	150 Watt (23,000LM   5000K)

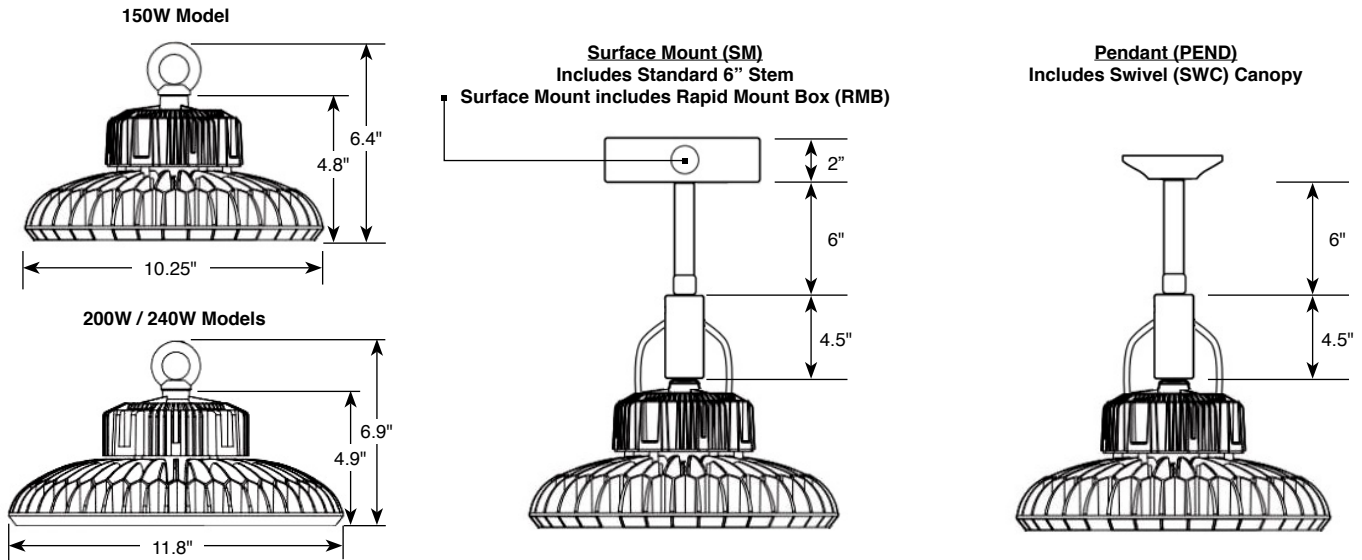
# GLB-SE

*Low Bay Luminaire*  
*Selectable Wattage / CCT*  
*IP65 Wet Location Listed*

We reserve the right to revise the design or components of any product without notice.

CATALOG #		TYPE
PROJECT/LOCATION		
APPROVED BY		

## DIMENSIONS



## MOUNTING



Hook Mount (HOOK)



PENDANT Mount (PEND-SWC)  
 Swivel Canopy

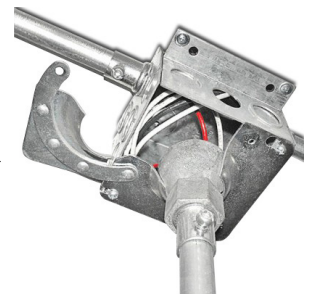


Surface Mount (SM)  
 Includes Rapid Mount Box (RMB)  
 with 6" Stem

## PENDANT SWIVEL CANOPY TYPES



Swivel Canopy 4" for Round/Octagonal J-BOX  
 Rapid Mount with Hinged Door  
 (PEND-SWC-RR)



Swivel Canopy 4" for Square J-BOX  
 Rapid Mount with Hinged Door  
 (PEND-SWC-SR)

# GLB-SE

**Low Bay Luminaire**  
**Selectable Wattage / CCT**  
**IP65 Wet Location Listed**

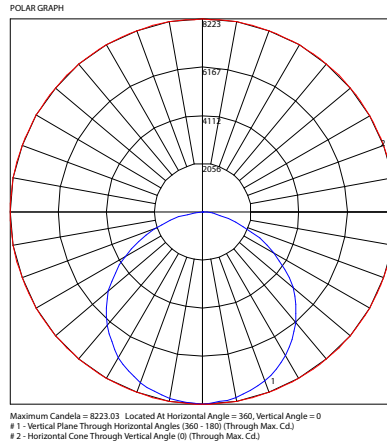
We reserve the right to revise the design or components of any product without notice.

CATALOG #		TYPE
PROJECT/LOCATION		
APPROVED BY		

## PHOTOMETRIC DATA

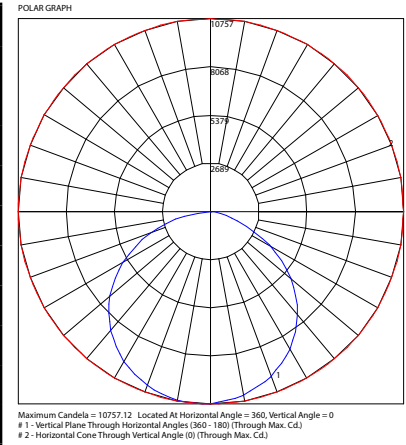
Summary   GLB-SE-SLED-L-3K-120D-UNV_(CLEAR_LENS)					
Lumen Output	Efficacy	Input Power	CCT	Distribution	BUG Rating
23,062.35 Lms	159.1 Lm/W	144.963W	3000K	Type VS	N/A

Zonal Lumen Summary	
Zone	Lumens
0-30	6452.49
0-40	10,653.86
0-60	18,972.49
60-90	5,299.93
70-100	1365.0
90-120	0.0
0-90	23,062.35
90-180	0.0
0-180	23,062.35



Summary   GLB-SE-SLED-M-3K-120D-UNV_(CLEAR_LENS)					
Lumen Output	Efficacy	Input Power	CCT	Distribution	BUG Rating
29,944.46 Lumens	154.25 Lm/W	194.124W	3000K	Type II	N/A

Zonal Lumen Summary	
Zone	Lumens
0-30	8,414.28
0-40	13,866.47
0-60	24,542.58
60-90	7045.45
70-100	1885.98
90-120	0.0
0-90	29,944.46
90-180	0.0
0-180	29,944.46



Summary   GLB-SE-SLED-H-3K-120D-UNV_(CLEAR_LENS)					
Lumen Output	Efficacy	Input Power	CCT	Distribution	BUG Rating
33,073.74 Lms	136.53 Lm/W	242.25W	3000K	Type II	N/A

Zonal Lumen Summary	
Zone	Lumens
0-30	9,239.73
0-40	15,252.46
0-60	27,063.88
60-90	7,844.94
70-100	21,15.76
90-120	0.0
0-90	33,073.74
90-180	0.0
0-180	33,073.74

