

# Delmar Series

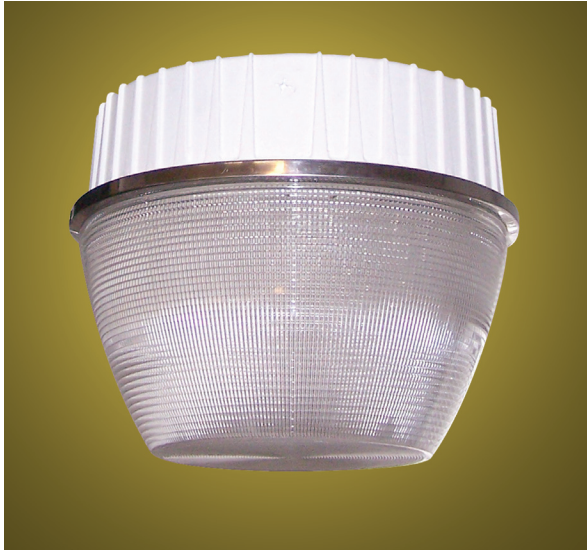
## Area/Parking/Industrial

CFL, HID, LED, INDUCTION

Round Garage Luminaire — Energy Saving

We reserve the right to revise the design or components of any product without notice.

CATALOG #		TYPE
PROJECT/LOCATION		
APPROVED BY		

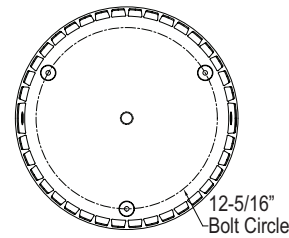


SEE NEXT PAGE  
FOR MOUNTING OPTIONS

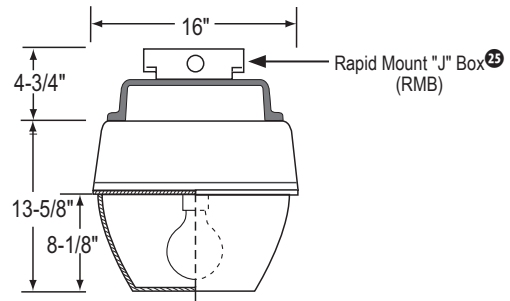
LAMP TYPE/QTY/WATTAGE <sup>1</sup>		
Fixture	DELMAR	
Dimensions	16" dia. x 13 3/4"	
Compact Fluorescent Triple Twin Tube	TTT	(2, 3, 4)32/42w; (2)57w; (3)57w <sup>25</sup> ; (2)70w <sup>25</sup>
Metal Halide	MH	100/150/175w
Ceramic Metal Halide Philips - CosmoPolis™	CMHC	60, 90, 140w (277V Standard) <sup>1</sup> (2800K Color Temp Only)
QL Induction Up to 100,000 HR Lamp Life <sup>3</sup>	QL <sup>25</sup>	85/165w
ICE Induction Up to 100,000 HR Lamp Life <sup>3</sup>	ICE	70/100w
Circle Induction	INDC	80/100/120w
Light Emitting Diode	LED <sup>25</sup>	60/90w

### SPECIFICATIONS

- BALLAST** — For Compact Fluorescent Electronic Cold Weather HPF is Standard. For HID Pulse Start is Standard. Optional High Temperature Electronic Ballast operates from -30°C up to 90°C max case temperature.
- DIFFUSER** — 16" Diameter Acrylic with Clear Dome Lens, Approximately 85% Light to Driving Area and 15% Uplight. IES Type V is Standard.
- GASKETING** — High Temperature, Non-aging Gray Silicone Gasket Under Diffuser and EPDM Gasket for Rear Wire Entrance Hole to Protect Against Outside Contaminants.
- HOUSING** — Cast Aluminum. Finished in White Oven Baked Polyester Powder Coat
- LAMP** — (HID) Medium Base Metal Halide (Recommended use of lamps with UV Guard); (CFL) Compact Fluorescent, Induction QL or ICE; LED - INCLUDED.
- LENS FASTENERS** — Stainless Steel Tamper Proof Screw or Standard 8-32 to Secure Assembly
- MOUNTING** — Direct Mount: Housing is Supplied with (3) 5/16" Holes with 1/4" Mounting Hardware.
- PHOTOMETRICS** — Type Five IES Distributions. (See Distribution for Options)
- UL/ULC Listed to U.S. and Canadian safety standards - Suitable for wet locations.



Standard (3) Point Surface Mount  
Using 1/4" Mounting Hardware



Shown with QL165W  
Req's 11" Casting & RMB

### ORDERING GUIDE:

SERIES	LAMP TYPE/WATT	COLOR TEMP	VOLTAGE/POWER	FINISH	OPTIONS
DM					

#### NOTES:

- Consult Factory with requests regarding lamp sources, including LED, color temp., wattages or voltages not shown.
- Consult Factory for additional Emergency Battery options not shown.
- Lamping system is warranted by Osram and Philips for 40,000 HRS.
- QRS: 120v Only—Lamp by Others
- Available with Step Dimming Option (CMHL) Philips-Lumistep™. Specify: "6" for 6hrs; "8" for 8hrs; "X" for 10hrs
- RMB required with QL165w; Req'd with TTT(3)57w & TTT(2)70w Req'd and Standard for LED
- Visit our website for spec sheet featuring Lighting Facts Certified Model

#### SERIES

DM = Delmar SERIES<sup>1</sup>

#### LAMP TYPE/QUANTITY/WATTAGE

Refer to Above Chart

#### COLOR TEMP (LED, Induction)

- 3K = ±3000K range Induction Only
- 4K = ±4000K range Induction Only
- 5K = ±5000K range LED or Induction

#### VOLTAGE

- 120 = 120 Volts
- 277 = 277 Volts
- 347 = 347 Volts
- EBU = Universal Voltage (120 thru 277v)
- QV = 120/208/240/277 Volts

#### POWER FACTOR

- EB = High Power Factor Electronic Ballast
- IND = HF Generator - INDUCTION

#### FINISH:

- BK = Black Finish
- BZ = Bronze Finish
- CC = Custom Color (consult factory) Finish
- WH = White Finish

#### EMERGENCY OPTIONS<sup>3</sup>

- EL52 = Integral Emergency Battery Cold Weather (Bodine) DTT/TTT; 1-2 Lamp; up to 1250 Lms

#### LED OPTIONS

- BL = Dual Circuit Bi-Level Lighting Switched High/Low
- EC1 = (1) Three Watt LED for Emergency Circuits
- EC2 = (2) Three Watt LED for Emergency Circuits
- LDIM = 0-10V low-voltage dimming (100-30% Standard, Consult Factory for Other)
- SG = 10KA Surge Protection for LED only (meets ANSI spec C62.41.2)

#### OPTIONS

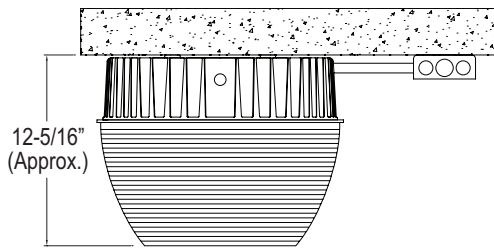
- CMHL = Ceramic Metal Halide CosmoPolis™ with Step Dimming: Lumistep™ (Philips)<sup>7</sup>
- DIM = Dimming Ballast
- FUS = Single Fusing
- DFUS = Double Fusing
- HUB1 = 1/2" Myers Hub
- HUB2 = 3/4" Myers Hub
- MSE = Motion Sensor External for LED, IND Specify Finish: White (WH) or Bronze (BZ)
- MSI = Motion Sensor Integral for LED, IND
- PC = Prismatic Polycarbonate Diffuser (Type V)
- PEND = Pendant Mounting Kit, 1/2" conduit entrance hole. Specify Stem Length.
- SDIM = QL165 Induction 50% Step Dimming
- QRS = Quartz Restrike Relay<sup>5</sup>
- RMB = Rapid Mount Galvanized "J" Box<sup>25</sup> (Standard for LED)

# Delmar Series

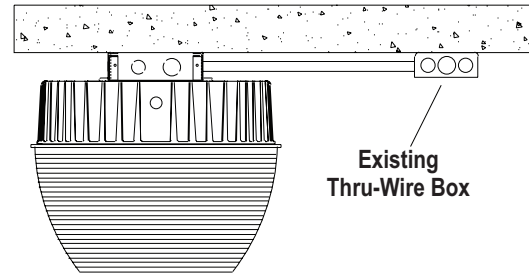
## AREA/PARKING/INDUSTRIAL

ENERGY SAVING ROUND GARAGE LUMINAIRE

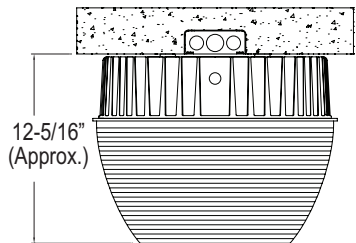
### DELMAR MOUNTING OPTIONS



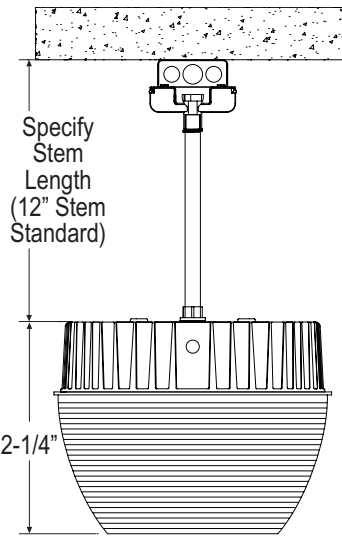
Direct Surface Mount  
With Conduit Entry  
Using Threaded Knock-Outs  
**(Surface Mounted)**



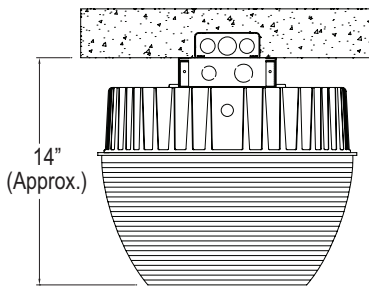
Direct Surface Mount  
With Rapid Mount Box (RMB)  
With 3 Feet of Water Tight Flex  
**(For Existing Surface Mounted  
Thru Wire Boxes)**



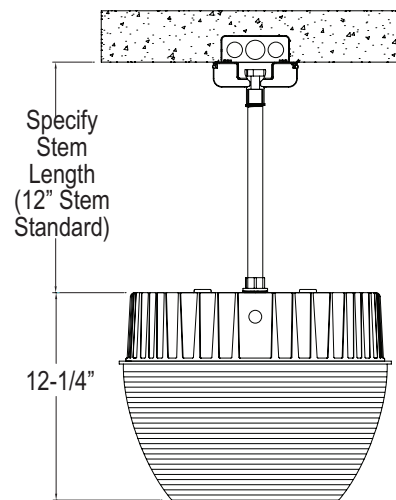
Standard (3) Point Surface Mount  
**(Recessed J-Box)**



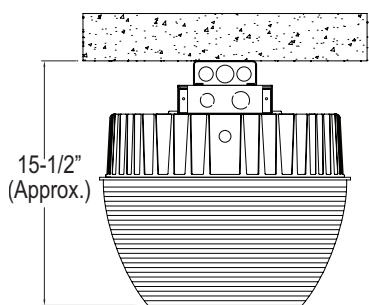
Pendant Mount (Pend)  
Specify Stem Length  
**(Surface Mounted J-Box)**



Standard J-Box Mount  
Using Rapid Mount Box - RMB  
**(Recessed J-Box)**



Pendant Mount (Pend)  
Specify Stem Length  
**(Recessed J-Box)**

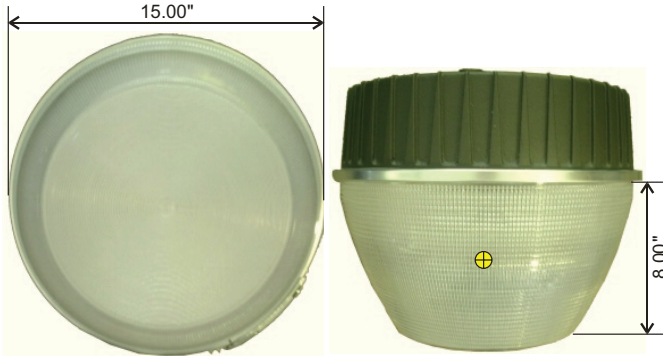


Standard J-Box Mount  
Using Rapid Mount Box - RMB  
**(Surface Mounted J-Box)**

# PHOTOMETRIC DATA

**Delmar Series**  
Tested Using the IES LM79 Standards

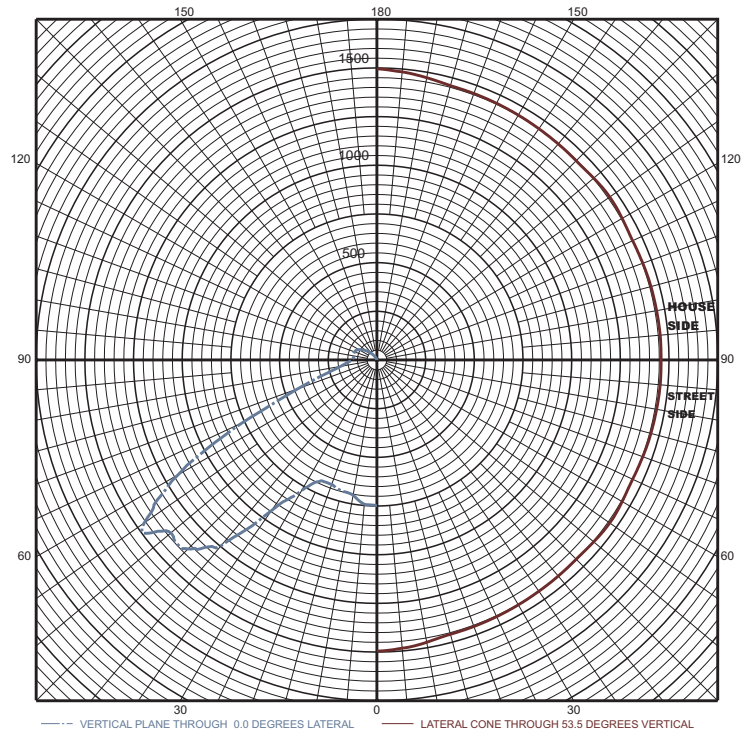
**LTL test # 28199 DM-LED60-5K-EBU**  
Cast aluminum housing, extruded aluminum heatsinks, formed white enamel aluminum reflector, clear prismatic plastic enclosure.  
Test Date: 01/27/2012



**LUMINAIRE EFFICACY: 83.2 Lumens/Watt**

FLUX DISTRIBUTION			
LUMENS	DOWNWARD	UPWARD	TOTALS
House Side	2362.83	263.59	2626.41
Street Side	2362.83	263.59	2626.41
Totals	4725.65	527.18	5252.83

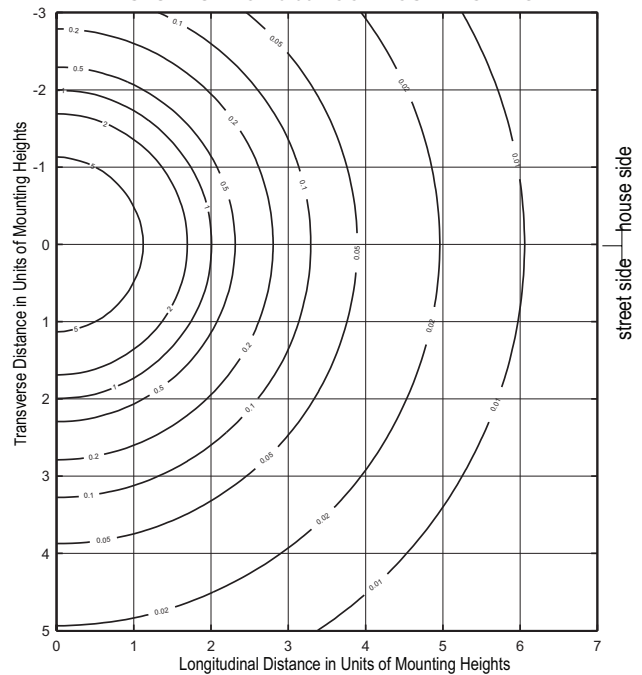
## Maximum Plane and Cone Plots of Candela



## Candela Distribution

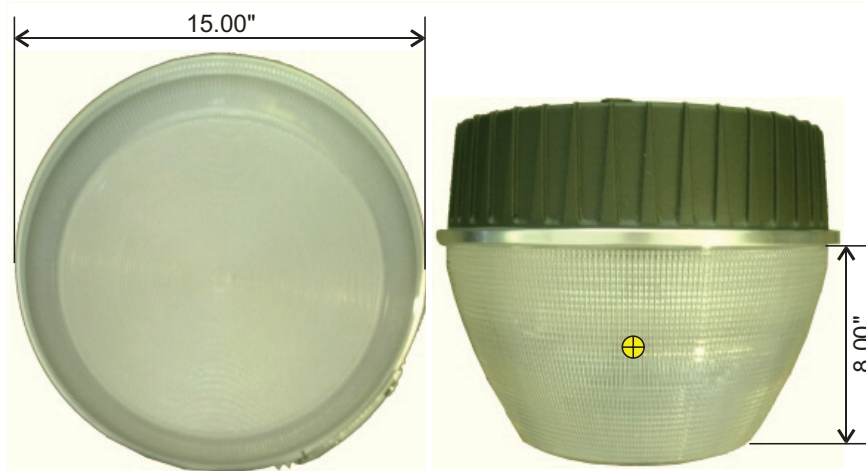
	0	5	15	25	35	45	55	65	75	85	90
180	0	0	0	0	0	0	0	0	0	0	0
175	0	0	0	0	0	0	0	0	0	0	0
165	0	0	0	0	0	0	0	0	0	0	0
155	7	7	7	6	6	6	6	6	5	5	5
145	30	30	30	30	30	30	30	30	30	30	30
135	61	60	60	60	60	59	59	59	59	60	60
125	91	91	91	90	90	90	90	90	90	89	90
115	117	117	117	115	114	114	114	114	114	114	114
105	123	123	123	122	122	122	122	123	123	123	123
95	122	122	122	122	123	123	124	124	123	123	123
90	128	127	128	128	128	128	129	129	129	129	129
87.5	138	138	138	138	139	139	140	140	140	140	140
85	153	152	152	152	153	154	154	155	155	155	155
82.5	169	169	169	169	170	170	171	171	172	172	172
80	190	190	190	190	191	192	193	193	193	194	194
77.5	222	222	223	222	223	224	225	224	225	225	226
75	270	271	272	272	271	273	274	276	276	277	277
72.5	340	342	342	341	342	344	345	350	348	348	348
70	432	431	429	430	429	433	436	440	440	441	443
67.5	560	562	559	556	558	562	567	570	574	578	581
65	764	758	757	760	757	770	775	777	791	793	788
62.5	979	980	975	966	986	966	982	1002	992	991	990
60	1179	1175	1168	1170	1151	1170	1188	1181	1191	1183	1181
57.5	1337	1334	1349	1305	1328	1329	1327	1347	1339	1339	1362
55	1459	1455	1414	1441	1416	1417	1430	1431	1451	1431	1431
53.5	1495	1485	1458	1454	1450	1447	1459	1449	1457	1460	1459
52.5	1458	1460	1467	1455	1441	1440	1436	1443	1445	1460	1459
50	1382	1389	1391	1384	1380	1372	1355	1352	1377	1392	1390
47.5	1393	1391	1364	1360	1361	1354	1355	1350	1359	1367	1366
45	1372	1365	1356	1354	1338	1352	1357	1346	1355	1355	1357
40	1246	1239	1214	1216	1211	1208	1207	1210	1230	1240	1239
35	944	949	960	945	940	946	942	952	970	961	963
30	775	784	796	788	783	781	793	802	807	799	793
25	685	691	704	709	702	687	703	708	710	713	706
20	680	684	691	690	684	684	695	698	693	697	701
15	696	699	695	693	698	698	704	703	704	704	705
10	705	705	703	702	705	706	707	708	708	706	706
5	743	743	742	741	740	740	741	741	739	738	737
0	747	747	747	747	747	747	747	747	747	747	747

## ISOFOOTCANDLE LINES OF HORIZONTAL ILLUMINATION VALUES BASED ON 9.00 FOOT MOUNTING HEIGHT



# PHOTOMETRIC DATA

**Delmar Series**  
Tested Using the IES LM79 Standards



**LTL test # 28200 Integrating Sphere Test DM-LED60-5K-EBU**

Cast aluminum housing, extruded aluminum heatsinks, formed white enamel aluminum reflector, clear prismatic plastic enclosure.

Test Date: 01/29/2012

SUMMARY OF RESULTS	
Radiant Flux	16590 mW
Luminous Flux	5353 Lumens
Luminaire Efficacy	84.9 Lms/W
CRI (Color Rendering Index)	69.6
CCT (Correlated Color Temp.)	5453 K
Chromaticity (x)	0.3334
Chromaticity (y)	0.3424
Chromaticity (u)	0.2070
Chromaticity (v)	0.3189
Duv	0.0001

TEST CONDITIONS	
Test Temperature	25.7 °C
Voltage	120.0 VAC
Current	0.5286 A
Power	63.03 W
Power Factor	0.993
Frequency	60 Hz
Current THD	7.24 %

Relevant Standards  
IES LM-79-2008  
ANSI C78.377-2008, ANSI C82.77  
CIE 13.3-1995, CIE 15-2004

**LTL test # 28201 In-Situ Test DM-LED60-5K-EBU**

Cast aluminum housing, extruded aluminum heatsinks, formed white enamel aluminum reflector, clear prismatic plastic enclosure.

Test Date: 01/31/2012

SUMMARY OF RESULTS	
LED Temperature	61.6 °C
Driver Temperature	56.9 °C
Max LED Current	0.1775 A
Temperatures are offset to an ambient temperature of 25°C as described in UL1598-2008.	

TEST CONDITIONS	
Test Temperature	24.0 °C
Voltage	120.0 VAC
Current	0.5302 A
Power	63.20 W
Power Factor	0.994
Frequency	60 Hz
Current THD	6.99 %

Relevant Standards  
UL1598-2008