

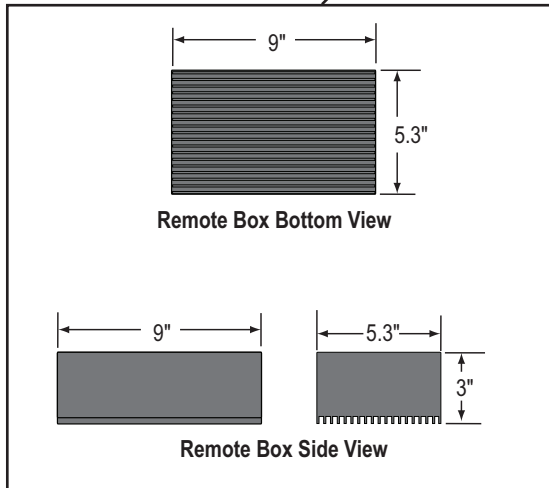
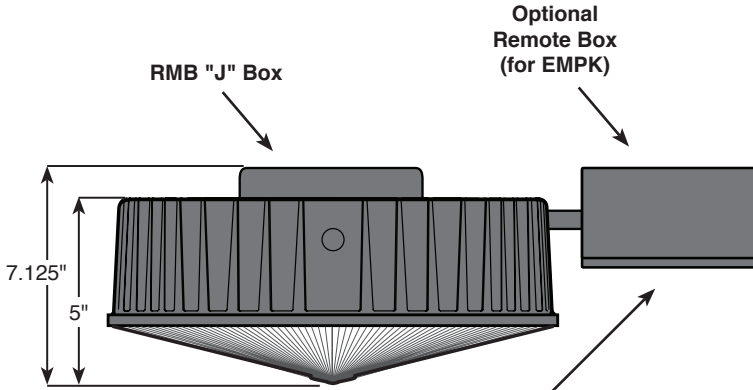
Delmar Low Profile Area/Parking/Industrial Energy Saving LED Round Garage Luminaire



ARRA
Compliant

We reserve the right to revise the design or components of any product without notice.

CATALOG #		TYPE
PROJECT/LOCATION		
APPROVED BY		



SPECIFICATIONS

- DRIVER — 120/277 volt Electronic Driver for LED.
- DIFFUSER — 16" Diameter Acrylic with Clear Dome Lens, Approx. 85% Light to Driving Area and 15% Uplight. IES Type V is Standard.
- GASKETING — High Temperature, Non-aging Gray Silicone Gasket Under Diffuser and EPDM Gasket for Rear Wire Entrance Hole to Protect Against Outside Contaminants.
- HOUSING — Cast Aluminum. Finished in White Oven Baked Polyester Powder Coat
- LAMP — LED INCLUDED.
- LENS FASTENERS — Stainless Steel Tamper Proof Screw or Standard 8-32 to Secure Assembly
- MOUNTING — Direct Mount: Housing is Supplied with (3) 5/16" Holes with 1/4" Mounting Hardware.
- PHOTOMETRICS — Type Five IES Distributions. (See Distribution for Options)
- COMPLIANCE — Built to comply with U.S. and Canadian safety standards. Suitable for wet locations. IP65 tested and rated.

NOTES:

- 1 Consult Factory with requests re: lamp sources, including LED, color temp., wattages or voltages not shown.
- 2 Consult Factory for additional Emergency Battery options not shown.
- 3 Max mounting height of fixture is 10 feet
- 4 RMB Recommended for LED
- 5 Consult Factory for other Voltage

LAMP TYPE/QTY/WATTAGE ¹		
Visit www.eclipselightinginc.com for available IES files		
Fixture	DELMAR LOW PROFILE	
Dimensions	16" Diameter x 5" Depth	
Light Emitting Diode	LED	40/50/60w

ORDERING GUIDE:	Series	Lamp/Qty/Watt	Color Temp	Voltage: Primary/ Emergency	Finish	Options

SERIES

DMLP = Delmar Low Profile Series

LAMP TYPE/QUANTITY/WATTAGE

Refer to Above Chart

VOLTAGE

- 120 = 120 Volts
277 = 277 Volts
347 = 347 Volts
EBU = Universal Volt (120-277v) Electronic Ballast

FINISH

- BK = Black
BZ = Bronze
CC = Custom Color (Consult Factory)
WH = White

LED COLOR TEMPERATURE

- 2K = ±2700K range (115 Initial LPW)
3K = ±3000K range (120 Initial LPW)
4K = ±4000K range (132 Initial LPW)
5K = ±5000K range (140 Initial LPW)
6K = ±6500K range (145 Initial LPW)

OPTIONS

- FUS = Single Fusing
DFUS = Double Fusing
HUB1 = 1/2" Myers Hub
HUB2 = 3/4" Myers Hub
PC = Prismatic Polycarbonate Diffuser (Type V)
PEND = Pendant Mounting Kit, 1/2" conduit entrance hole. Specify Stem Length.
RMB = Rapid Mount Galvanized "J" Box (recommended with LED)
SKIT = Swivel Pendant Mount Kit
STC = Static Canopy
SWC = Swivel Canopy

LED OPTIONS

- BL = Dual Circuit Bi-Level Lighting Switched High/Low
D7 = 0-10V low-voltage dimming; 100-30% Standard, Consult Factory for Other
SG = 10KA Surge Protection for LED fixtures (meets ANSI spec C62.41.2)
MSE = Motion Sensor External; Single circuit, all on, all off Specify Finish: White (WH)/Bronze (BZ)
MSE2 = Motion Sensor External; Dual circuit, half on half off Specify Finish: White (WH)/Bronze (BZ)
MSI = Motion Sensor Integral²⁰; Single circuit, all on, all off
MSI2 = Motion Sensor Integral²⁰; Dual circuit, half on half off

EMERGENCY OPTIONS³⁻⁵⁰⁻⁵⁵

No onsite Emergency Power (AC or DC) is provided
Specify Fixture Voltage: 120V or 277V Power Feed A=120V or B=277V

LED Emergency Battery

- EL82 = Integral: LED 4W (Fulham)
REL82 = Remote LED 4W, ± 240 Lms (Fulham)

