

Delmar

Energy Saving Round Garage Luminaire LED

We reserve the right to revise the design or components of any product without notice.

CATALOG #		TYPE
PROJECT/LOCATION		
APPROVED BY		

SPECIFICATIONS

- DRIVER — Universal Voltage 120/277v Electronic Driver is standard.
- DIFFUSER — 16" Diameter Acrylic with Clear Dome Lens, Approx. 85% Light to Driving Area and 15% Uplight. IES Type V is Standard.
- GASKETING — High Temperature, Non-aging Gray Silicone Gasket Under Diffuser and EPDM Gasket for Rear Wire Entrance Hole to Protect Against Outside Contaminants
- HOUSING — Cast Aluminum. Finished in White Oven Baked Polyester Powder Coat.
- LIGHT ENGINE — Energy Efficient LED.
- LENS FASTENERS — Stainless Steel Tamper Proof Screw or Standard 8-32 to Secure Assembly.
- MOUNTING — Direct Mount: Housing is Supplied with (3) 5/16" Holes with 1/4" Mounting Hardware.
- PHOTOMETRICS — Type Five IES Distributions. (See Distribution for Options).
- COMPLIANCE — Built to comply with U.S. and Canadian safety standards. Suitable for wet locations. IP65 tested and rated. DLC® Listed.



DESIGNLIGHTS
CONSORTIUM

LED
lighting
facts
LED Product Partner

MADE
USA

ARRA
Compliant

OPTIONS

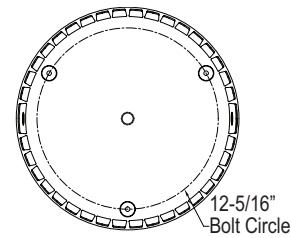
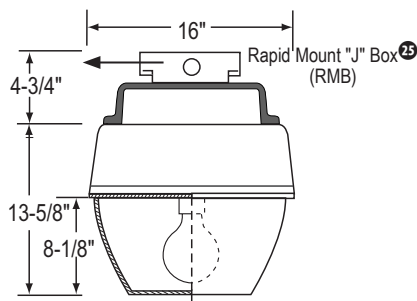


Shown with Optional Casting



Shown with Optional MSE

DIMENSIONS



Standard (3) Point Surface Mount
Using 1/4" Mounting Hardware

Delmar

Energy Saving Round Garage Luminaire LED

LAMP TYPE/QTY/WATTAGE ¹		
Visit www.eclipselightinginc.com for available IES files		
Fixture	DELMAR	
Dimensions	16" dia. x 13 1/2"	
Light Emitting Diode	LED	40w / 50w / 60w / 90w

ORDERING GUIDE:

Series	Lamp/Wattage	Color	Voltage	Finish	Options
<input type="text"/>	<input type="text"/>	<input type="text"/>	<input type="text"/>	<input type="text"/>	<input type="text"/>

SERIES

DM = Delmar Series

LAMP TYPE/QUANTITY/WATTAGE

Refer to Above Chart

LED COLOR TEMPERATURE

27K = ±2700K range LED
 3K = ±3000K range LED
 4K = ±4000K range LED
 5K = ±5000K range LED
 65K = ±6500K range LED

VOLTAGE

120 = 120 Volts
 277 = 277 Volts
 347 = 347 Volts
 EBU = Universal Volt (120-277v) Electronic Driver
 55DC = 55 Watt DC
 (Consult Factory for other DC Wattages)

FINISH

BK = Black
 BZ = Bronze
 CC = Custom Color (Consult Factory)
 WH = White

OPTIONS

BL1 = Bi-Level Light (High/Low)
 — Single AC Input Feed
 — Switch Sensor (Required)
 BL2 = Bi-Level Light (High/Low)
 — Wired for Dual AC Input Feeds
 D7 = 0-10V low-voltage dimming;
 — 100-30% Standard
 — Consult Factory for Other
 FUS = Single Fusing
 DFUS = Double Fusing
 GTD = Generator Transfer Device (Bodine)
 HUB1 = 1/2" Myers Hub
 HUB2 = 3/4" Myers Hub
 PC = Prismatic Polycarbonate Diffuser (Type V)
 SG = 10KA Surge Protection for LED Fixtures
 (meets ANSI spec C62.41.2)

MOUNTING OPTIONS

PEND = Pendant Mounting Kit, 1/2" conduit
 entrance hole. Specify Stem Length.
 RMB = Rapid Mount Galvanized "J" Box
 (recommended with LED)
 SKIT = Swivel Pendant Mount Kit
 STC = Static Canopy
 SWC = Swivel Canopy
 TMB = Trunnion Mount Bracket

SENSOR OPTIONS

MSE = Motion Sensor External
 —Single Circuit: OFF / ALL-ON
 —Specify Finish: White (WH) or Bronze (BZ)
 MSE2 = Motion Sensor External
 —Dual circuit: HALF-ON / ALL-ON
 —Specify Finish: White (WH) or Bronze (BZ)
 MS11 = Motion Sensor Integral² (Microwave)
 —Single Circuit: OFF / ALL-ON
 MS12 = Motion Sensor Integral² (Microwave)
 —Single Circuit: HALF-ON / ALL-ON
 MS13 = Motion Sensor Integral² (Microwave)
 (Single Circuit Multi-Level Daylight with Motion Sense
 -ALL-ON with Motion Sense, specified HOLD TIME,
 DIMS to Low Light Level, specified STAND-BY PERIOD,
 ALL-OFF. Specified Ambient Foot-Candle Control.)
 MS14 = Motion Sensor Integral² (Microwave)
 (Single Circuit Bi-Level, ALWAYS ON
 -ALL-ON with specified HOLD TIME,
 DIMS to specified Low Light Level and stays on, powers
 back to full light output with Motion Sense.)
 MS15 = Motion Sensor Integral² (Microwave)
 (Single Circuit Zone Control
 -Used for passageways, corridors, stairwells
 and Garage applications.)

EMERGENCY OPTIONS³

No onsite Emergency Power (AC or DC) is provided
 Specify Fixture Voltage: 120V or 277V Power Feed
 A=120V or B=277V

Meets California Energy Commission Title 20:
 (CEC-400-2014-009-CMF) Efficiency Standards

EL4W = Integral LED 4 Watt
 EL8W = Integral LED 8 Watt
 EL10W = Integral LED 10 Watt
 EL16W = Integral LED 16 Watt

NOTES:

- ¹ Consult Factory with requests regarding lamp sources, including LED, color temp., wattages or voltages not shown.
- ² Consult Factory for additional Emergency Battery options not shown.
- ³ Max mounting height of fixture is 10 feet
- ⁴ Consult Factory for other Voltage

Eclipse Lighting is committed to supplying State of the Art, Cost Effective solutions for your project. We are constantly evaluating and testing the latest LED technology. We can customize your product to meet unique mounting conditions. **We also offer high efficiency, direct DC powered fixtures, suitable for use with renewable energy sources.** DC input voltage options include: 28-86VDC, 108-250VDC, 127-430VDC

Test Date: 03/31/2015

Tested in accordance with LM-79-80
The results contained in this summary report pertain only to the tested sample

Electrical Test Conditions						
Temp	Voltage	Current	Power	Power Factor	Frequency	Current THD
25°C	120 / 277	699.8	83.80	0.998 / 0.944	60	4.44 / 5.73

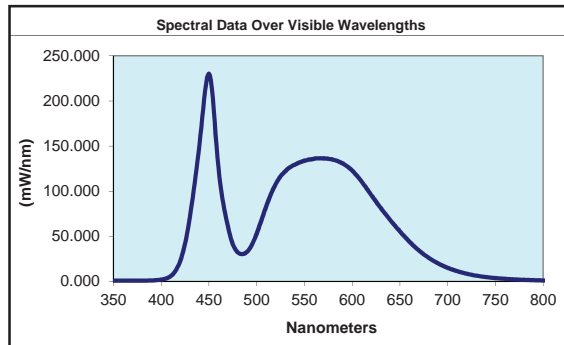
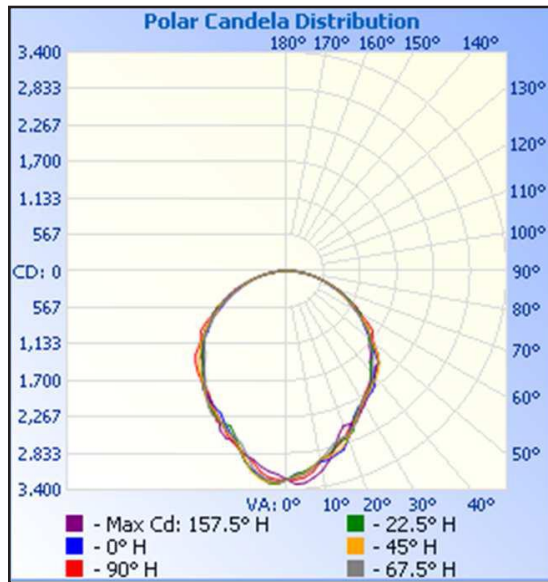
Summary of Results	
Total Lumen Output	9095
Efficacy (Lm/W)	108.5
Maximum Candela	2439
CRI	75.8
CCT	5381K
Duv	0.001

Zonal Lumen Summary		
Zone	Lumens	%Luminaire
0-30	982.8	11.2
0-40	1979	22.6
0-60	5709	65.2
60-90	2160	24.7
0-90	7868	89.8
90-180	892.2	10.2
0-180	8761	100.0

Spacing Criteria	
0-180	NA-Outdoor
90-270	NA-Outdoor

Cone of Light Tabulation			
Mounting Height (Ft)	Center Beam (Fc)	Beam Width (Ft)	
2.00	295.1	1.4	5.0
4.00	73.8	2.9	9.9
6.00	32.8	4.3	14.9
8.00	18.4	5.7	19.8
10.00	11.8	7.2	24.8

Chromaticity Coordinates	
Chromaticity (x)	0.335
Chromaticity (y)	0.342
Chromaticity (u)	0.208
Chromaticity (v)	0.478
Chromaticity (u')	0.208
Chromaticity (v')	0.478



Intensity (Candlepower) Summary	
Angle	Mean CP
0	1180
5	1174
10	1145
15	1142
20	1134
25	1163
30	1285
35	1522
40	1968
45	2267
50	2368
55	2274
60	1982
65	1375
70	776
75	473
80	324
85	257
90	213

Color Rendering Index Detail	
Ra (CRI)	75.8
R1	75.0
R2	79.6
R3	81.1
R4	77.2
R5	75.5
R6	71.4
R7	82.4
R8	63.9
R9	-9.6
R10	49.8
R11	75.1
R12	49.2
R13	75.3
R14	89.2

Test Date: 08/06/2015

Tested in accordance with LM-79-80
 The results contained in this summary report pertain only to the tested sample

Electrical Characteristics	120.0V	.4437A	52.859W
Luminous Efficacy (Lumens/Watts)	104.1		

Zonal Lumen Summary		
Zone	Lumens	% Luminaire
0-30	691	12.6
0-40	1419	25.8
0-60	3628	65.9
0-90	4913	89.3
90-120	439	8.0
90-130	521	9.5
90-150	583	10.6
90-180	588	10.7
0-180	5501	100.0

