

# Clark Medium

**Surface Mount, Pendant, Wet Location**  
**Low Profile LED Luminaire**  
**Soft Diffuse Light**

We reserve the right to revise the design or components of any product without notice.

CATALOG #		TYPE
PROJECT/LOCATION		
APPROVED BY		

## SPECIFICATIONS

- EMERGENCY — Optional Remote or Integral Emergency Battery.
  - DIFFUSER — Opal white polycarbonate is standard.
  - DRIVER — Universal Volt (120-277V) Electronic Driver. 0-10V Low Voltage Dimming is Standard.
  - FINISH — Polyester powder coat white Standard. Optional Custom Colors.
  - GASKETING — High temp, non-aging black EPDM gasketed seal. Seals diffuser to cast housing to protect against outside contaminants.
  - HOUSING — Spun aluminum housing with built-in heatsinks for thermal management.
  - MOUNTING — Surface Mount is standard and includes 3" Stem with Rapid Mount Box (RMB). Pendant Mount is available and includes RMB with 12" Stem and Static Canopy (STC) or Swivel Hang Straight Canopy (SWC) for sloped ceilings.
  - STEM — 1/2" NPT galvanized and Powder coated, 12" long stem standard. Optional lengths available.
  - COMPLIANCE — Built to comply with U.S. and Canadian Safety Standards. Suitable for Wet Locations.
- Made in USA / Buy America Compliant / Buy American Act.**



## ORDERING INFO

ORDERING GUIDE:	Series	Mounting	Wattage	CCT	Voltage	Finish	Options

### SERIES

CK-M = Clark Medium Series

### MOUNTING

SM = Surface Mount  
 — Includes 3" Stem and Rapid Mount Box

PEND = Pendant Mount

-1/2" IPS Conduit Stem (12" is Standard)  
 -For Other Stem Lengths (Consult Factory)

#### Choose Pendant Canopy Style:

SWC-R = Swivel Canopy for 4" Round J-BOX  
 SWC-RR = Swivel Canopy for 4" Round J-BOX  
 — Rapid Mount with Hinged Door  
 SWC-S = Swivel Canopy for 4" Square J-BOX  
 SWC-SR = Swivel Canopy for 4" Square J-BOX  
 — Rapid Mount with Hinged Door

### LED WATTAGE/LUMENS

LED35 = 35 Watt LED (170 Initial LPW)  
 — Replaces up to MH50  
 LED55 = 55 Watt LED (170 Initial LPW)  
 — Replaces up to MH100  
 LED75 = 75 Watt LED (170 Initial LPW)  
 — Replaces up to MH150

### LED COLOR TEMPERATURE (CCT)

3K = ±3000K range LED  
 4K = ±4000K range LED  
 5K = ±5000K range LED

### VOLTAGE

347 = 347 Volts  
 UNV = Universal Volt (120-277v) Electronic Driver  
 2UNV = Two Universal Volt Drivers  
 55DC = 55 Watt DC  
 — Consult Factory for other DC Wattages

### FINISH

BK = Black Finish  
 BZ = Bronze Finish  
 PNA = Painted Natural Aluminum  
 WH = White Finish Standard  
 +NAT = Conformal Coating - Light Engine Only  
 CC = Custom Color (Visit [www.ralcolor.com](http://www.ralcolor.com))  
 — Provide RAL# or Make-to-Match Color Chip

### DIMMING OPTIONS

Note: 0-10V 100%-30% is Standard  
 D7A = 0-10VDC LED Dimming Driver (100-10%)  
 D7B = 0-10VDC LED Dimming Driver (100-1%)

### CONTROL OPTIONS

Note: See Accessory Options for Required Remote Controller  
 OCC = Occupancy Sensing | Motion Sensor Integral<sup>20</sup>  
 — Microwave / Single Feed / 120/277V Only  
 — Standby Dim Level Presets: ON/OFF (0%/100%)  
 BLD = Bi-Level Dimming | Motion Sensor Integral<sup>20</sup>  
 — Microwave / Single Feed / 120/277V Only  
 — Standby Dim Level Presets:  
 10% / 20% / 30% (Standard) / 50%  
 BLS = Bi-Level Switching — Using 2 Drivers (2UNV)

### CAGE / SHIELD OPTIONS

BC = Bird Cage  
 HSS = House Side Shield

### MISC OPTIONS

FUS = Single Fusing  
 DFUS = Double Fusing  
 SG = 10KA Surge Protection (ANSI spec C62.41.2)

### EMERGENCY / BATTERY OPTIONS <sup>21 22 23</sup>

*No onsite Emergency Power (AC or DC) is provided*

**Meets California Energy Commission Title 20:**  
 (CEC-400-2014-009-CMF) Efficiency Standards

EL4W = Integral LED 4 Watt  
 REL4W = Remote LED 4 Watt  
 REL8W = Remote LED 8 Watt  
 REL16W = Remote LED 16 Watt  
 REL20W = Remote LED 20 Watt

#### Cold Weather Emergency Batteries:

Operating Temp: -20°C thru 50°C / NON-CEC Compliant  
 REL10W-CW = Remote LED 10 Watt (Cold Weather)  
 REL23W-CW = Remote LED 23 Watt (Cold Weather)

### ACCESSORY OPTIONS (order as a separate line)

9002 = Tamperproof Screwdriver  
 REMT = Remote Controller for Sensor Options

### NOTES:

- Consult Factory for additional Emergency options not shown
- Max mounting height of fixture is 18' (18 feet)
- Max WHIP length of the REL is 8 feet.
- Final selection of the Battery Pack under discretion of Factory

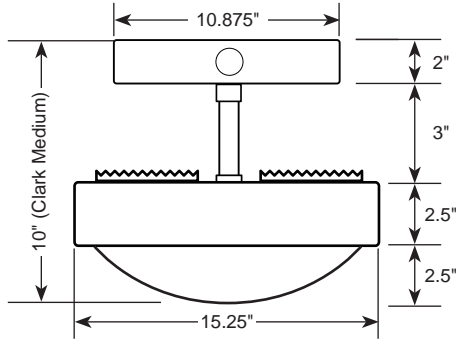
# Clark Medium

*Surface Mount, Pendant, Wet Location  
Low Profile LED Luminaire  
Soft Diffuse Light*

We reserve the right to revise the design or components of any product without notice.

CATALOG #		TYPE
PROJECT/LOCATION		
APPROVED BY		

DIMENSIONS \_\_\_\_\_



OPTIONS \_\_\_\_\_

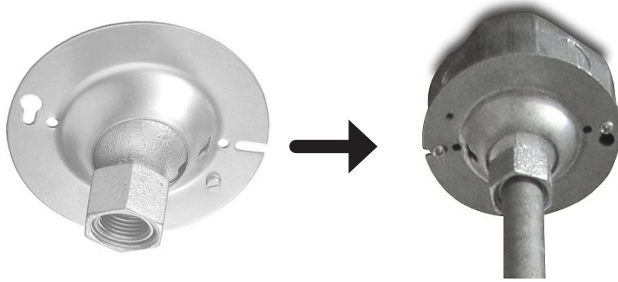


Bird Cage (BC)

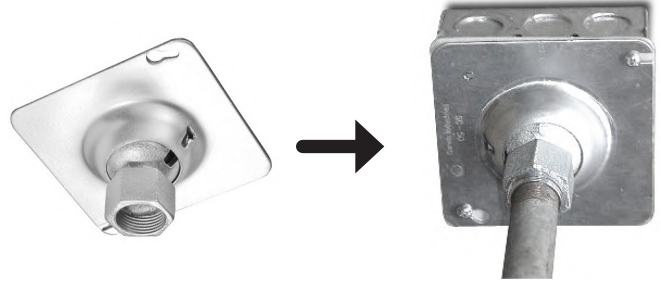


House Side Shield (HSS)

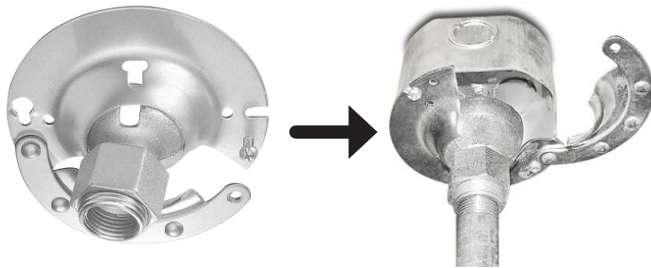
PENDANT SWIVEL CANOPY TYPES \_\_\_\_\_



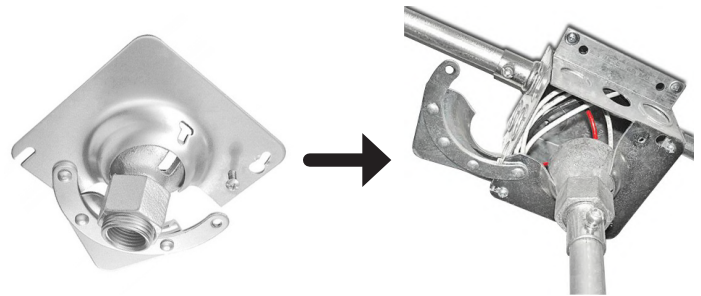
Swivel Canopy 4" for Round/Octagonal J-BOX (SWC-R)



Swivel Canopy 4" for Square J-BOX (SWC-S)



Swivel Canopy 4" for Round/Octagonal J-BOX  
Rapid Mount with Hinged Door  
(SWC-RR)

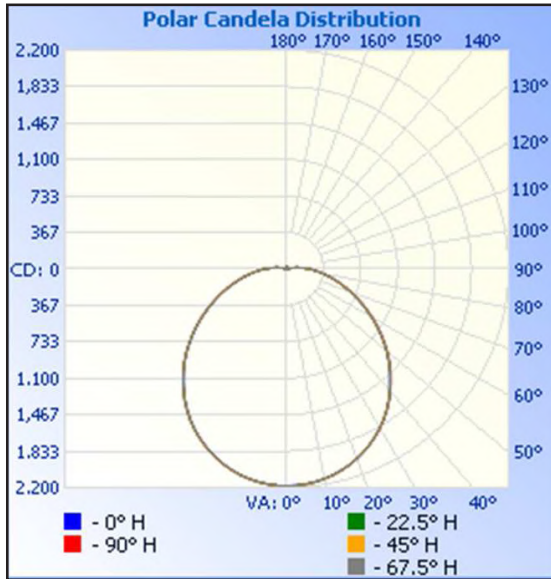


Swivel Canopy 4" for Square J-BOX  
Rapid Mount with Hinged Door  
(SWC-SR)

PHOTOMETRIC DATA

Test #: 102063649CHI-016 | Test Catalogue #: CK-M-LED75-4K-EBU-WH-PEND12-RMB

Lamp Output	Lumen Efficacy	Input Voltage	Input Current	Input Wattage	Power Factor	Distribution Type	Color Temp	BUG Rating
6896 Lumens	94.48 LPW	119.9V	611.7mA	72.99W	0.995	Type V - Short	4000K	B2-U3-G2



Zone	Lumens	%Luminaire
0-30	1694	24.6
0-40	2774	40.2
0-60	4912	71.2
60-90	1746	25.3
0-90	6659	96.6
90-180	237.1	3.4
0-180	6896	100.0

Mounting Height (Ft)	Footcandles at Nadir	Diameter (Ft)	
		6.0	12.0
2.0	544.8	6.0	6.1
4.0	136.2	12.0	12.2
6.0	60.5	18.1	18.3
8.0	34.1	24.1	24.3
10.0	21.8	30.1	30.4