

CM851 Series

High Abuse Surface Fixture HID, LED

We reserve the right to revise the design or components of any product without notice.

CATALOG #		TYPE
PROJECT/LOCATION		
APPROVED BY		

SPECIFICATIONS

- BALLAST — For HID Pulse Start is Standard. Universal Driver for LED.
- GASKETING — Silicone Around Inside Perimeter Of Door Frame And Lens Opening To Seal Out Dust And Moisture.
- HOUSING — Heavy Gauge Cold Rolled Steel or Aluminum (AL) Option—Die Formed And Seam Welded Construction
- LAMP — MEDIUM BASE (H.I.D.) or LED.
- LENS — .125" Thick Clear Tempered Glass Lens Is Standard (See Lens Options for Others.)
- LENS FASTENERS — Heavy gauge Aluminum Retaining Angles Attached To Thru Door Studs For Positive Lens Clamping
- REFLECTOR — .032 Specular Aluminum to Optimize Light Output.
- COMPLIANCE — Built to comply with U.S. and Canadian safety standards. Suitable for wet locations.

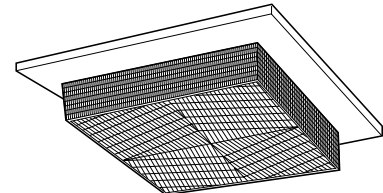
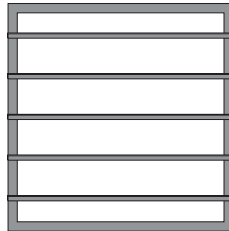


ARRA
Compliant

OPTIONS

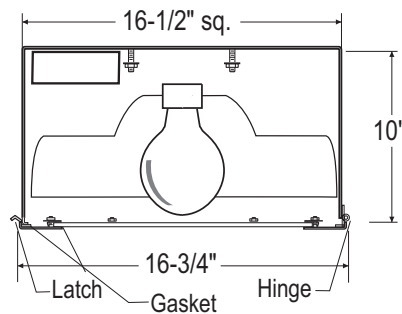


Shown with optional Wire Guard



Optional Drop Square Diffuser

DIMENSIONS



CM851 Series

High Abuse Surface Fixture
HID, LED

LAMP TYPE/QTY/WATTAGE ¹		
Visit www.eclipselightinginc.com for available IES files		
Fixture	CM851	
Dimensions - W x H x D	16" x 16" x 10½"	
Metal Halide	MH	150/175/200w
Light Emitting Diode	LED	50/90w

ORDERING GUIDE: Series Lamp/Qty/Watt Color Temp Voltage: Primary/ Emergency Finish Options

SERIES

CM851 = CM851 Series

LAMP TYPE/QUANTITY/WATTAGE

Refer to Above Chart

VOLTAGE

120 = 120 Volts EB

277 = 277 Volts EB

347 = 347 Volts EB

480 = 480 Volts (HID)

EBMH = Electronic Ballast for Metal Halide

EBU = Universal Voltage (120-277v)

QV = 120/208/240/277 Volts

FINISH

BK = Black Finish

BZ = Bronze Finish

WH = White Finish (Standard)

LENS OPTIONS

80 = .125 K12 Prismatic Polycarbonate

81 = .156 K12 Prismatic Polycarbonate

92 = .187 Clear Polycarbonate

93 = .156 C73 Prismatic Tempered Glass

OPTIONS

AL = Aluminum Construction

DS = Drop Square Diffuser (Max 150Watt)

FUS = Single Fusing

DFUS = Double Fusing

GTD = Generator Transfer Device (Bodine)

QRS = Quartz Restrike Relay²

SS = Stainless Steel Housing and Door
(Consult Factory for Min. Qty.)

SSD = Stainless Steel Door Only
(Consult Factory for Min. Qty.)

TMB = Trunnion Mount Bracket

WG = Wire Guard - extruded aluminum

COLOR TEMPERATURE

3K = ±3000K range LED (120 Initial LPW)

4K = ±4000K range LED (132 Initial LPW)

5K = ±5000K range LED (140 Initial LPW)

LED OPTIONS

BL = Dual Circuit Bi-Level Lighting (High/Low)

D7 = 0-10V low-voltage dimming (100-30%
Standard, Consult Factory for Other)

SG = 10KA Surge Protection for LED fixtures
(meets ANSI spec C62.41.2)

EMERGENCY OPTIONS²

No onsite Emergency Power (AC or DC) is provided

Specify Fixture Voltage: 120V or 277V Power Feed

A=120V or B=277V

LED Emergency Battery

EL61 = Integral; LED 12W, ± 720 Lumens (by Iota)

EL63 = Integral; LED 23W, ± 1290 Lumens (Bodine)

EL67 = Integral; Cold Weather LED 23W,
± 1290 Lms (Iota)

EL82 = Integral; LED 4W (Fulham)—Factory Recom'd

EL85 = Integral; LED 20W (Fulham)—Factory Recom'd

EL88 = Integral; LED 16W (Fulham)—Factory Recom'd

LED EMERGENCY CIRCUIT²

Onsite Generator Power (AC) or Battery Power (DC)

is provided via separate circuit to the fixture

EC1A = (1) 5W LED for Line Voltage (120VAC)

EC2A = (1) 5W LED for Line Voltage (277VAC)

EC3A = (2) 5W LED for Line Voltage (120VAC)

EC4A = (2) 5W LED for Line Voltage (277VAC)

EC1D = (1) 5W LED for Low Voltage (12VDC)

EC2D = (1) 5W LED for Low Voltage (24VDC)

EC3D = (2) 5W LED for Low Voltage (12VDC)

EC4D = (2) 5W LED for Low Voltage (24VDC)

NOTES:

¹ Consult Factory with requests regarding lamp sources, including LED, color temp., wattages or voltages not shown.

² Consult Factory for additional Emergency Battery options not shown.

³ QRS: 120V Only—DC Bayonet base socket for 70 Watt quartz—Lamp by Others

⁴ Consult Factory for other Voltage.

⁵ Due to form and fit, final selection of the Battery Pack under discretion of Factory