

Atlas Series

Area/Parking/Industrial

CFL, HID, LED, INDUCTION

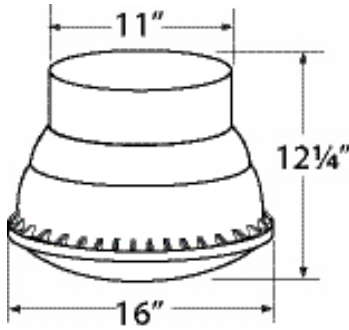
Round Garage Luminaire



ARRA
Compliant

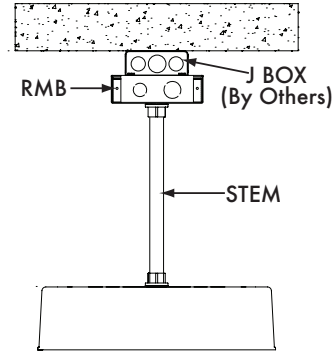
We reserve the right to revise the design or components of any product without notice.

CATALOG #		TYPE
PROJECT/LOCATION		
APPROVED BY		

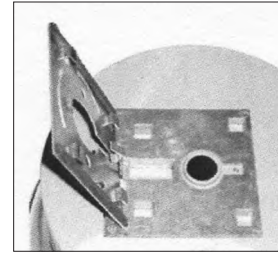


SPECIFICATIONS

- BALLAST** — For Compact Fluorescent Electronic Cold Weather HPF is Standard. For HID Pulse Start is Standard. Optional High Temperature Electronic Ballast operates from -30°C up to 90°C max case temperature.
- DIFFUSER** — 16" Diameter Prismatic Polycarbonate Diffuser with Clear Dome Lens, Approximately 85% Light to Driving Area and 15% Uplight. IES Type V is Standard.
- GASKETING** — High Temperature, Non-aging Gray Silicone Gasket Under Diffuser and EPDM Gasket for Rear Wire Entrance Hole to Protect Against Outside Contaminant's.
- HOUSING** — Cast Aluminum. Finished in Bronze Oven Baked Polyester Powder Coat.
- LAMP** — (HID) Medium Base Metal Halide (Recommend use of lamps with UV Guard); (CFL) Compact Fluorescent, Induction QL - INCLUDED.
- LENS FASTENERS** — 3 Stainless Steel Philips Screws to Secure Assembly.
- MOUNTING** — Direct Ceiling Mount. Quick Mount is Standard. Optional Pendant Mounting.
- PHOTOMETRICS** — Type Five IES Distributions. (See Distribution for Options)
- UL/ULC Listed to U.S. and Canadian safety standards - Suitable for wet locations



Optional Pendant Mount (PEND)
Rapid Mount Box (RMB)



Quick Mount (QM) — Standard

LAMP TYPE/QTY/WATTAGE ¹		
Visit www.eclipselightinginc.com for available IES files		
Fixture	Atlas	
Dimensions	16" dia. x 12 1/4"	
Compact Fluorescent Triple Twin Tube	TTT	(1)70, (2)42/57w
QL Induction Up to 100,000 HR Lamp Life ⁴	QL	55/85w
Circle Induction	INDC	80/100w
Metal Halide	MH	70/100/150w
Ceramic Metal Halide Philips - CosmoPolis™	CMHC	60w (277V Standard) ¹
Light Emitting Diode	LED	40w

ORDERING GUIDE:	Series	Lamp Type/Watt	Color Temp	Voltage: Primary/Emergency	Finish	Options
	AL					

NOTES:

- Consult Factory with requests regarding lamp sources, including LED, color temp., wattages or voltages not shown.
- Consult Factory for additional Emergency Battery options not shown.
- Lamping system is warranted by MFR for 40,000 HOURS.
- QRS: 120V Only—DC Bayonet base socket for 70 Watt quartz —Lamp by Others
- Available with Step Dimming Option (D4) Philips-Lumistep™ Specify: "6" for 6hrs; "8" for 8hrs; "X" for 10hrs
- Consult Factory for other Voltage.

SERIES
AL = ATLAS SERIES

LAMP TYPE/QUANTITY/WATTAGE
Refer to Above Chart

COLOR TEMP (LED, Induction)
3K = ±3000K range Induction Only
4K = ±4000K range Induction Only
5K = ±5000K range LED or Induction

VOLTAGE
120 = 120 Volts EB
240 = 240 Volts EB
277 = 277 Volts EB
347 = 347 Volts EB

EBMH = Electronic Ballast for Metal Halide
EBU = Universal Voltage (120-277v)
Electronic Ballast Instant Start for CFL

QV = 120/208/240/277 Volts
IND = HF Generator - Induction

FINISH
WH = White Finish
BZ = Bronze Finish — Standard

LED OPTIONS
BL = Dual Circuit Bi-Level Lighting (High/Low)
D7 = 0-10V low-voltage dimming (100-30% Standard, Consult Factory for Other)
LRS = LED Standby System
SG = 10KA Surge Protection for LED fixtures (meets ANSI spec C62.41.2)

OPTIONS
D4 = Step Dimming: Lumistep™ (Philips) for Ceramic Metal Halide CosmoPolis™ ⁷
FUS = Single Fusing
DFUS = Double Fusing
FRS = Fluorescent Standby System TTT32W, activates in black-out or emergency, deactivates at power restoration—external control. (Not Available for Induction)

GTD = Generator Transfer Device (Bodine)
HUB1 = 1/2" Myers Hub
HUB2 = 3/4" Myers Hub
PEND = Pendant Mounting Kit, 1/2" conduit entrance hole. Specify Stem Length

STC = Static Canopy
SWC = Swivel Canopy
QRS = Quartz Restrike Relay ⁵

RMB = Rapid Mount Galvanized "J" Box (Standard for LED)
TP = Tamperproof Screws

EMERGENCY OPTIONS ⁸
No onsite Emergency Power (AC or DC) is provided Specify Fixture Voltage: 120V or 277V Power Feed A=120V or B=277V
REL52 = Remote Emergency Battery Cold Weather (Bodine) TTT; 1-2 Lamp; up to 1250 Lms

LED EMERGENCY CIRCUIT ⁹
Onsite Generator Power (AC) or Battery Power (DC) is provided via separate circuit to the fixture
EC1A = (1) 5W LED for Line Voltage (120VAC)
EC2A = (1) 5W LED for Line Voltage (277VAC)
EC3A = (2) 5W LED for Line Voltage (120VAC)
EC4A = (2) 5W LED for Line Voltage (277VAC)
EC1D = (1) 5W LED for Low Voltage (12VDC)
EC2D = (1) 5W LED for Low Voltage (24VDC)
EC3D = (2) 5W LED for Low Voltage (12VDC)
EC4D = (2) 5W LED for Low Voltage (24VDC)

