

# Aero Pole Light

Area/Parking/Industrial

HID, LED, INDUCTION

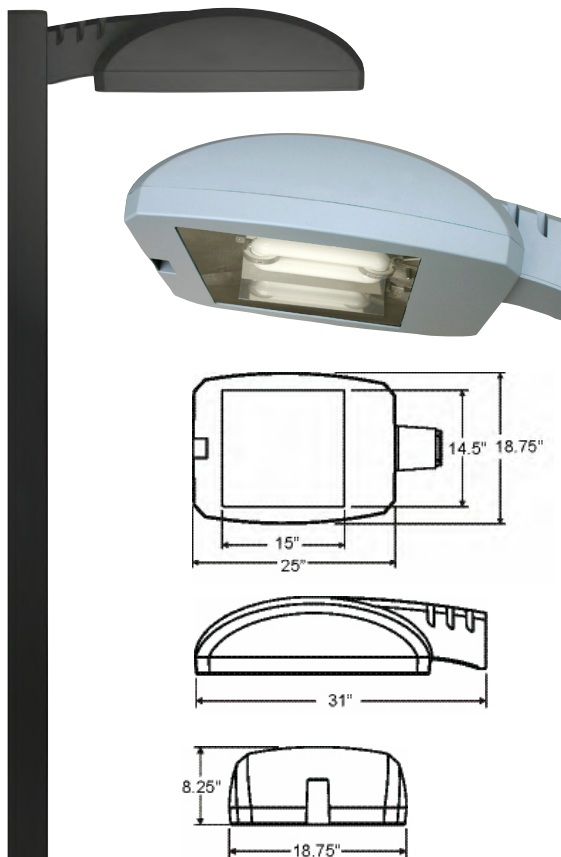
Cost Efficient Luminaire



**ARRA**  
Compliant

We reserve the right to revise the design or components of any product without notice.

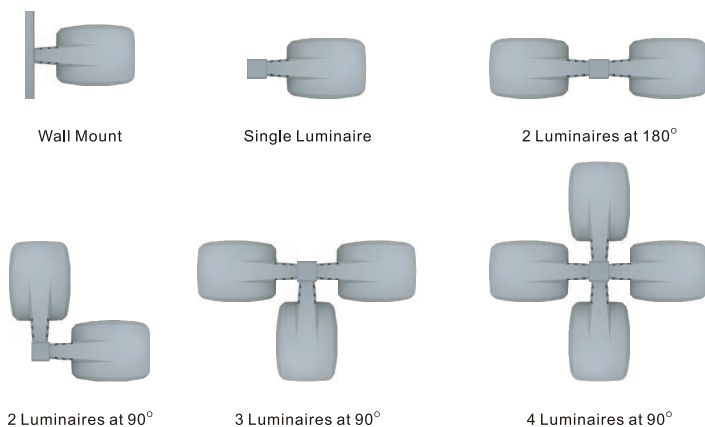
CATALOG #		TYPE
PROJECT/LOCATION		
APPROVED BY		



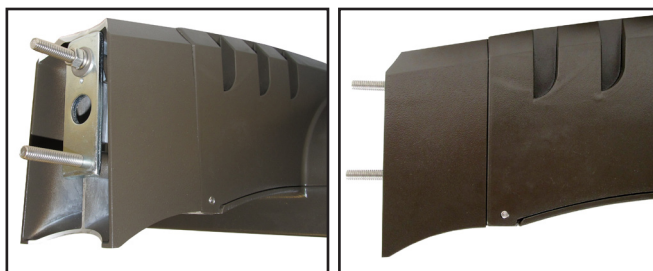
## SPECIFICATIONS

- DOOR — Removable Door Assembly
- GASKETING — Silicone foam gasket included.
- HARDWARE — Complete Stainless Steel external hardware.
- HOUSING — Two pieces precise heavy duty die casting aluminum powder coating finished.
- LAMP — Super Bright-White LED; Pulse Start Metal Halide; Induction: ICE, QL, INDT; Warm White Light, Dimmable High System Efficacy Ceramic Metal Halide—by Philips.
- LENS — Heat and Impact resistant tempered glass lens.
- MOUNTING — 4" Square Pole Mount Standard. Optional Round Pole Adapter (RPA) or Wall Mount (WM)
- REFLECTOR — Segmented aluminum designed reflector for the best light efficiency.
- SIZE — 18-1/4" wide x 31" long x 8-1/4" deep (nominal)
- UL/ULC Listed to U.S. and Canadian safety standards - Suitable for wet locations.

## MOUNTING



LAMP TYPE/QTY/WATTAGE <sup>1</sup>		
Visit <a href="http://www.eclipselightinginc.com">www.eclipselightinginc.com</a> for available IES files		
Fixture	Aero Pole Light	
Dimensions - W x H x D	18 1/4" wide x 31" long x 8 1/4" deep (nominal)	
Pulse Start Metal Halide	MH	175, 250, 400w
Ceramic Metal Halide <i>Philips - CosmoPolis™</i>	CMHC	60, 90, 140w (277V Standard) <sup>1</sup>
Ceramic Metal Halide <i>Philips - Elite™ - Dimmable</i>	CMHE	210, 315w (277V Standard) <sup>1</sup>
QL Induction <i>Up to 100,000 HR Lamp Life<sup>4</sup></i>	QL	85, 165w
ICE Induction <i>Up to 100,000 HR Lamp Life<sup>4</sup></i>	ICE	70, 100, 150, 200w
Tubular Induction	INDT	100, 120w
Light Emitting Diode	LED	60, 90, 125w



Optional Round Pole Adapter (RPA)

## ORDERING GUIDE:

Series	Lamp Type/Watt	Color Temp	Voltage	Finish	Options
AO					

### NOTES:

- Consult Factory with requests regarding lamp sources, including LED, color temp., wattages or voltages not shown.
- Lamping system is warranted by MFR for 40,000 HOURS.
- Available with Step Dimming Option (D4) *Philips-Lumistep™*  
Specify: "6" for 6hrs;  
"8" for 8hrs;  
"X" for 10hrs
- Not available for Induction, CMHC or CMHE

### SERIES

AO = Aero Pole Light Series

LAMP TYPE/QUANTITY/WATTAGE  
Refer to Above Chart

### COLOR TEMP (LED, Induction)

- 3K = ±3000K range Induction Only
- 4K = ±4000K range Induction Only
- 5K = ±5000K range LED or Induction
- 6K = ±6000K range LED Only

### VOLTAGE

- 120 = 120 Volt
- 277 = 277 Volt
- 347 = 347 Volt
- 480 = 480 Volt (Consult Factory)
- 12VDC = 12VDC — LED
- 24VDC = 24VDC — LED
- EBMH = Electronic Ballast for Metal Halide
- EBU = Universal Voltage (120 thru 277v)<sup>3b</sup>
- QV = 120/208/240/277 Volts

### FINISH

- BZ = Bronze Finish

### OPTIONS

- D4 = Step Dimming: Lumistep™ (*Philips*) for Ceramic Metal Halide *CosmoPolis™*  
Specify: "6" for 6hrs; "8" for 8hr and "X" for 10hrs
- FUS = Single Fusing
- GTD = Generator Transfer Device (Bodine)
- HSS = Side Shield for Residential Street Lighting
- RPAS = Round Pole Adapter—Straight
- RPAT = Round Pole Adapter—Tapered
- WM = Wall Mount

### LED OPTIONS

- BL = Dual Circuit for Bi-Level light (High/Low), includes 2EBU
- SG = 10KA Surge Protection (meets ANSI spec C62.41.2)

