

PHOTOMETRIC DATA:

Galileo Basic R Series

ITL test # 21891 AP-XL1-PAR39MHU20-SP-EBU
diffuse interior and white plastic lens with clear top and opaque bottom

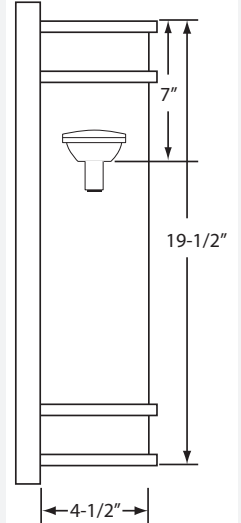
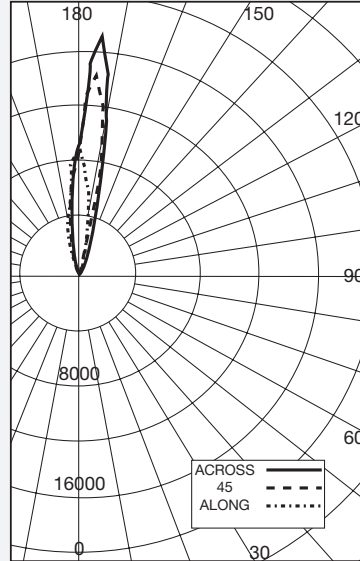
Test Date: 11/08/2006

Room Cavity Ratio	Coefficients of Utilization								
	PCC>	90%			70%			50%	
	PW>	70%	50%	30%	70%	50%	30%	50%	30%
0	92	92	92	70	70	70	49	49	
1	83	79	75	63	60	57	42	40	
2	75	68	62	57	52	47	36	33	
3	69	60	53	51	45	40	32	29	
4	62	52	45	47	40	34	28	24	
5	57	45	39	43	35	30	25	21	
6	52	41	34	39	31	26	22	18	
7	48	37	29	36	28	23	20	16	
8	44	33	26	33	25	20	18	14	
9	41	30	23	31	23	18	16	13	
10	38	27	20	28	21	16	15	11	

Rm. Percentage = 20%; PCC = Ceiling Reflectance;
PW = Wall Reflectance

Zunal Lumen Summary			
Zone	Lumens	%Lamp	%Luminaire
0-30	1	00.08	00.09
0-40	5	00.29	00.35
0-60	27	01.39	01.66
0-90	93	04.67	05.59
40-90	87	04.38	05.24
60-90	65	03.28	03.93
90-180	1579	78.97	94.41
0-180	1672	83.64	100.00

Efficiency: 83.6%



ITL test # 21892 AP-XL1-PAR39MHU20-FL-EBU
diffuse interior and white plastic lens with clear top and opaque bottom

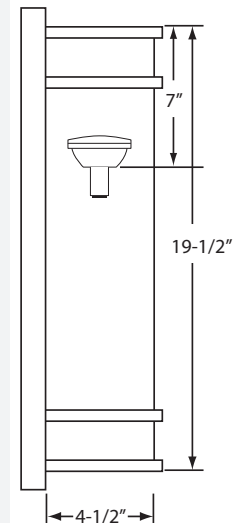
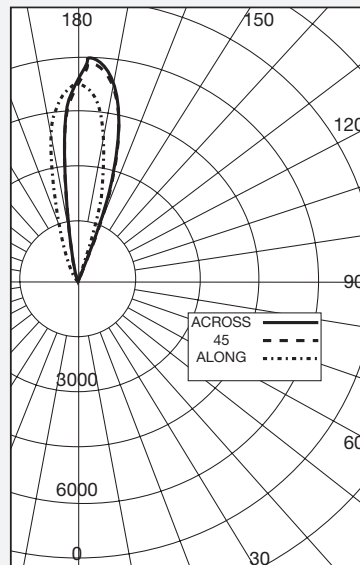
Test Date: 11/08/2006

Room Cavity Ratio	Coefficients of Utilization								
	PCC>	90%			70%			50%	
	PW>	70%	50%	30%	70%	50%	30%	50%	30%
0	84	84	84	64	64	64	46	46	
1	76	72	68	58	55	52	39	37	
2	69	62	57	52	47	43	33	31	
3	63	55	48	47	41	37	29	26	
4	57	48	41	43	36	32	26	22	
5	52	41	35	39	32	27	23	19	
6	48	37	31	36	29	24	20	17	
7	44	33	27	33	25	21	18	15	
8	40	30	23	30	23	18	16	13	
9	37	27	21	28	21	16	15	12	
10	35	25	18	26	19	14	13	10	

Rm. Percentage = 20%; PCC = Ceiling Reflectance;
PW = Wall Reflectance

Zunal Lumen Summary			
Zone	Lumens	%Lamp	%Luminaire
0-30	3	00.15	00.20
0-40	9	00.45	00.59
0-60	36	01.83	02.39
0-90	114	05.74	07.50
40-90	105	05.29	06.91
60-90	78	03.91	05.11
90-180	1416	70.84	92.50
0-180	1531	76.59	100.00

Efficiency: 76.6%



LSI test # 21887 MR-XL-TTT-(1)32-EBU
diffuse metal interior and clear flat plastic lens

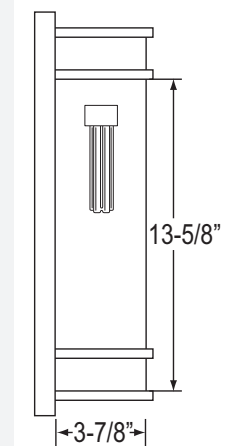
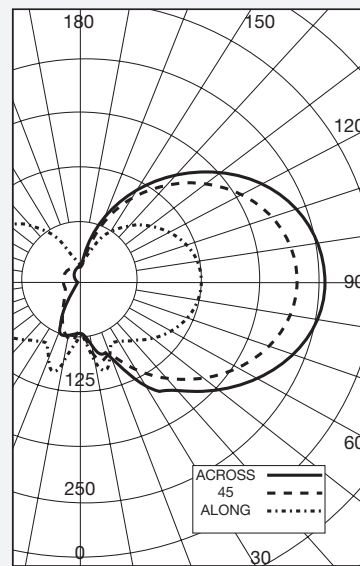
Test Date: 11/08/2006

Room Cavity Ratio	Coefficients of Utilization								
	PCC>	90%			70%			50%	
	PW>	70%	50%	30%	70%	50%	30%	50%	30%
0	62	62	62	53	53	53	45	45	
1	54	50	47	46	43	40	36	33	
2	48	42	38	40	36	32	30	27	
3	43	36	31	36	31	26	25	22	
4	39	32	26	33	27	22	22	18	
5	36	27	22	30	23	19	19	16	
6	33	25	19	27	21	16	17	14	
7	30	22	17	25	18	14	15	12	
8	28	20	15	23	17	12	14	10	
9	26	18	13	21	15	11	12	09	
10	24	16	11	20	14	10	11	08	

Rm. Percentage = 20%; PCC = Ceiling Reflectance;
PW = Wall Reflectance

Zunal Lumen Summary			
Zone	Lumens	%Lamp	%Luminaire
0-30	64	02.68	05.01
0-40	114	04.78	08.94
0-60	276	11.53	21.54
0-90	654	27.29	50.97
40-90	540	22.51	42.04
60-90	378	15.76	29.43
90-180	629	26.25	49.03
0-180	1284	23.54	100.00

Efficiency: 53.5%



PHOTOMETRIC DATA:

Galileo Basic R Series

LSI test # 21888 MR-XL-TTT-(1)42-EBU
diffuse metal interior and clear flat plastic lens

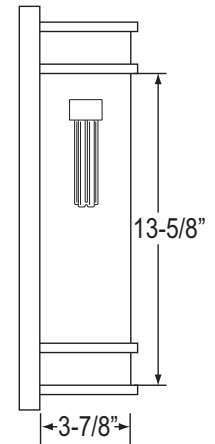
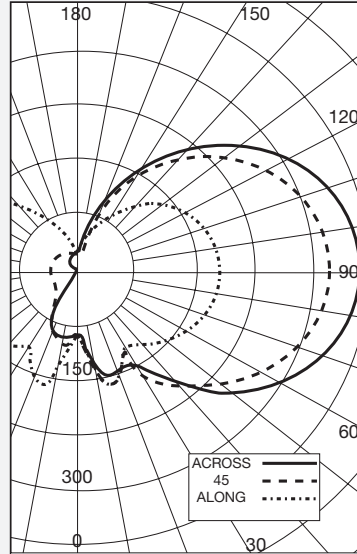
Test Date: 11/08/2006

		Coefficients of Utilization							
		90%			70%			50%	
PCC>	PW>	70%	50%	30%	70%	50%	30%	50%	30%
Room Cavity Ratio	0	66	66	66	57	57	57	48	48
	1	58	54	50	49	46	43	38	36
	2	51	45	40	43	38	34	32	29
	3	46	39	33	39	33	28	27	23
	4	42	34	28	35	29	24	24	20
	5	39	29	24	32	25	20	21	17
	6	35	26	21	29	22	18	18	15
	7	32	23	18	27	20	15	16	13
	8	30	21	16	25	18	13	15	11
	9	28	19	14	23	16	12	13	10
	10	25	17	12	22	15	11	12	09

Rm. Percentage = 20%; PCC = Ceiling Reflectance;
PW = Wall Reflectance

Zunal Lumen Summary			
Zone	Lumens	%Lamp	%Luminaire
0-30	102	03.19	05.58
0-40	175	05.49	09.59
0-60	406	12.71	22.22
0-90	943	29.48	51.55
40-90	767	24.00	41.96
60-90	536	16.77	29.33
90-180	886	27.17	48.45
0-180	1830	57.19	100.00

Efficiency: 57.2 %



LSI test # 16702 MR-L-DTT-(2)26-EB-120
aluminum interior and white plastic lens

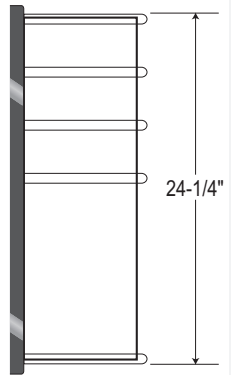
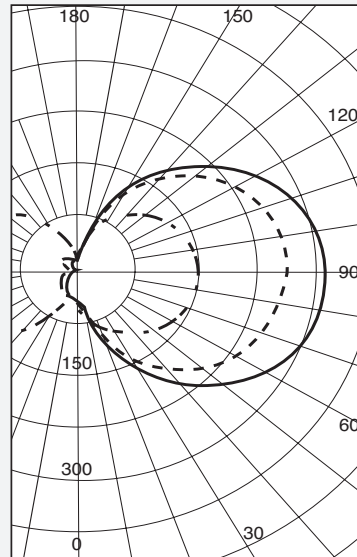
Test Date: 06/06/2002

		Coefficients of Utilization							
		90%			70%			50%	
PCC>	PW>	70%	50%	30%	70%	50%	30%	50%	30%
Room Cavity Ratio	0	45	45	45	41	41	41	35	35
	1	39	36	34	35	33	31	28	26
	2	34	30	27	31	28	25	23	21
	3	31	26	22	28	24	20	19	17
	4	28	22	18	25	21	17	17	14
	5	25	19	16	23	18	14	15	13
	6	23	17	13	21	16	12	13	10
	7	21	15	12	19	14	11	12	09
	8	19	14	10	18	13	09	10	08
	9	18	12	09	16	11	08	09	07
	10	17	11	08	15	10	07	08	06

Rm. Percentage = 20%; PCC = Ceiling Reflectance;
PW = Wall Reflectance

Zunal Lumen Summary			
Zone	Lumens	%Lamp	%Luminaire
0-30	58	1.63	3.93
0-40	121	3.36	8.11
0-60	327	9.08	21.90
0-90	774	21.52	51.88
40-90	653	18.16	43.77
60-90	447	12.44	29.98
90-180	718	19.96	48.12
0-180	1493	41.48	100.00

Efficiency: 41.7%



LSI test # 16617 MR-XL2-TT-(1)40-EB-120
aluminum interior and white plastic lens with clear plastic top and bottom

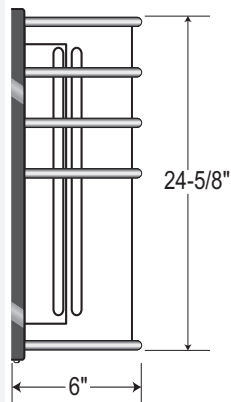
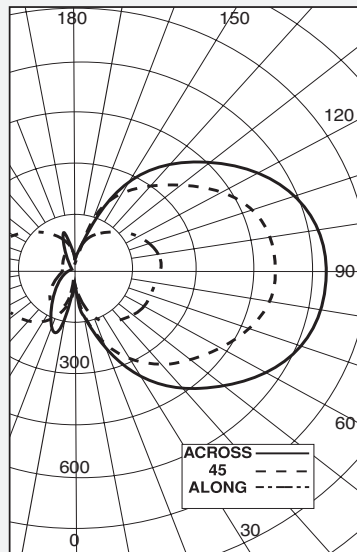
Test Date: 05/31/2002

		Coefficients of Utilization							
		90%			70%			50%	
PCC>	PW>	70%	50%	30%	70%	50%	30%	50%	30%
Room Cavity Ratio	0	96	96	96	88	88	88	75	75
	1	83	77	72	76	71	67	60	56
	2	74	65	58	68	60	53	50	45
	3	66	56	48	60	51	44	42	37
	4	60	49	40	55	45	37	37	31
	5	55	42	34	50	39	31	32	26
	6	50	37	29	45	34	27	28	22
	7	46	33	25	42	30	23	25	19
	8	42	30	22	38	27	20	23	17
	9	39	27	19	35	25	18	20	15
	10	36	24	17	33	22	16	19	13

Rm. Percentage = 20%; PCC = Ceiling Reflectance;
PW = Wall Reflectance

Zunal Lumen Summary			
Zone	Lumens	%Lamp	%Luminaire
0-30	126	4.00	4.50
0-40	255	8.11	9.13
0-60	647	20.56	23.16
0-90	1462	46.43	52.29
40-90	1207	38.32	43.16
60-90	814	25.87	29.13
90-180	1334	42.36	47.71
0-180	2797	88.80	100.00

Efficiency: 88.8%



PHOTOMETRIC DATA:

Galileo Basic R Series

LSI test # 16616 MR-XL2-TT-(2)40-EB-120
aluminum interior and white plastic lens with clear plastic top and bottom

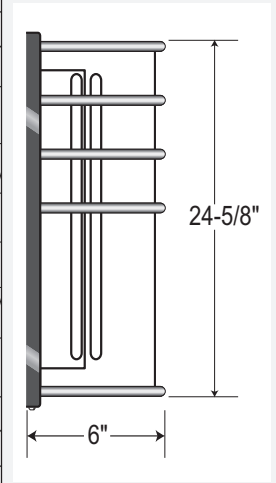
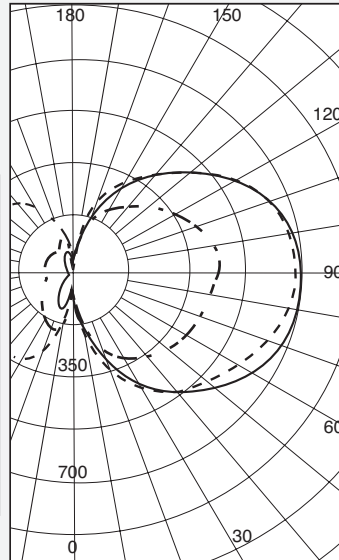
Test Date: 05/31/2002

		Coefficients of Utilization								
		90%			70%			50%		
Room Cavity Ratio	PCC>	70%	50%	30%	70%	50%	30%	50%	30%	
	0	69	69	69	64	64	64	54	54	
	1	60	56	52	55	51	48	43	40	
	2	53	47	42	49	43	38	36	32	
	3	48	40	34	43	37	31	30	26	
	4	43	35	29	39	32	27	27	22	
	5	39	30	25	36	28	23	23	19	
	6	36	27	21	33	25	19	20	16	
	7	33	24	18	30	22	17	18	14	
	8	30	21	16	28	20	15	16	12	
	9	28	19	14	25	18	13	15	11	
10	26	17	12	24	16	11	13	10		

Rm. Percentage = 20%; PCC = Ceiling Reflectance;
PW = Wall Reflectance

Zunal Lumen Summary			
Zone	Lumens	%Lamp	%Luminaire
0-30	185	2.94	4.60
0-40	372	5.91	9.25
0-60	934	14.84	23.21
0-90	2114	33.56	52.50
40-90	1741	27.65	43.25
60-90	1179	18.72	29.29
90-180	1912	30.36	47.50
0-180	4027	63.92	100.00

Efficiency: 63.9%



LSI test # 16615 MR-XL2-TT-(3)40-EB-120
aluminum interior and white plastic lens with clear plastic top and bottom

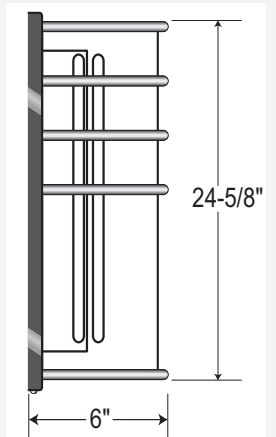
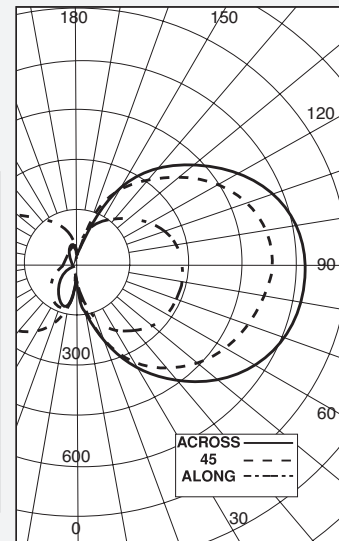
Test Date: 05/24/2000

		Coefficients of Utilization								
		90%			70%			50%		
Room Cavity Ratio	PCC>	70%	50%	30%	70%	50%	30%	50%	30%	
	0	35	35	35	32	32	32	27	27	
	1	30	28	26	28	26	24	22	20	
	2	27	24	21	25	22	19	18	16	
	3	24	20	17	22	19	16	15	13	
	4	22	18	15	20	16	13	13	11	
	5	20	15	12	18	14	11	12	10	
	6	18	14	11	16	12	10	10	08	
	7	17	12	09	14	11	08	09	07	
	8	15	11	08	14	10	07	08	06	
	9	14	10	07	13	09	06	07	05	
10	13	09	06	12	08	06	07	05		

Rm. Percentage = 20%; PCC = Ceiling Reflectance;
PW = Wall Reflectance

Zunal Lumen Summary			
Zone	Lumens	%Lamp	%Luminaire
0-30	142	1.51	4.68
0-40	286	3.04	9.44
0-60	724	7.67	23.84
0-90	1620	17.15	53.32
40-90	1333	14.11	43.88
60-90	895	9.48	29.48
90-180	1418	15.01	46.68
0-180	3039	32.16	100.00

Efficiency: 32.2%



LSI test # 21889 ME-XL-TTT-(2)32-EBU
diffuse interior and white plastic lens with open bottom and opaque top

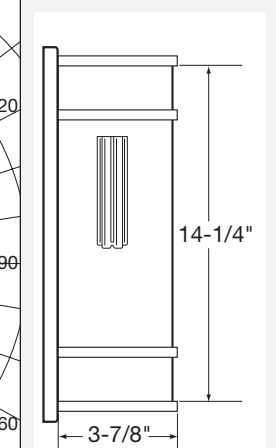
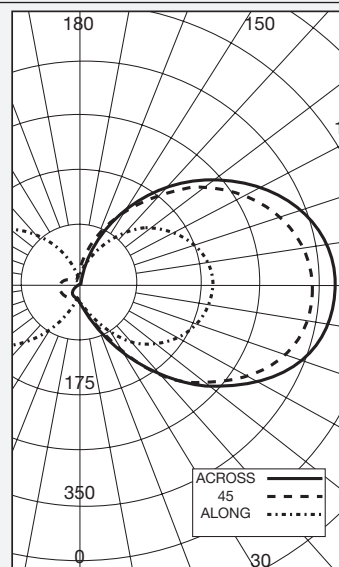
Test Date: 11/08/2006

		Coefficients of Utilization								
		90%			70%			50%		
Room Cavity Ratio	PCC>	70%	50%	30%	70%	50%	30%	50%	30%	
	0	42	42	42	36	36	36	31	31	
	1	37	34	31	31	29	27	24	22	
	2	32	28	25	27	24	21	19	17	
	3	29	24	20	24	20	17	16	14	
	4	26	21	17	22	17	14	14	12	
	5	24	18	14	20	15	12	12	10	
	6	22	16	12	18	13	10	11	08	
	7	20	14	10	16	12	09	10	07	
	8	18	13	09	15	11	08	09	06	
	9	17	11	08	14	10	07	08	05	
10	16	10	07	13	09	06	07	05		

Rm. Percentage = 20%; PCC = Ceiling Reflectance;
PW = Wall Reflectance

Zunal Lumen Summary			
Zone	Lumens	%Lamp	%Luminaire
0-30	38	0.81	2.21
0-40	95	1.98	5.42
0-60	322	6.71	18.36
0-90	888	18.50	50.61
40-90	792	16.52	45.18
60-90	565	11.79	32.25
90-180	866	18.06	49.39
0-180	1754	36.56	100.00

Efficiency: 36.6%



PHOTOMETRIC DATA:

Galileo Basic R Series

LSI test # 21890 ME-XL-TTT-(2)42-EBU
diffuse interior and white plastic lens with open bottom and opaque top

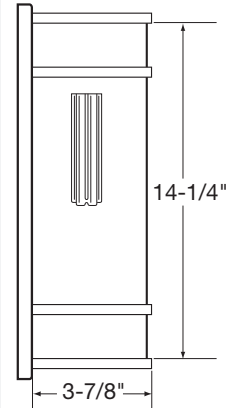
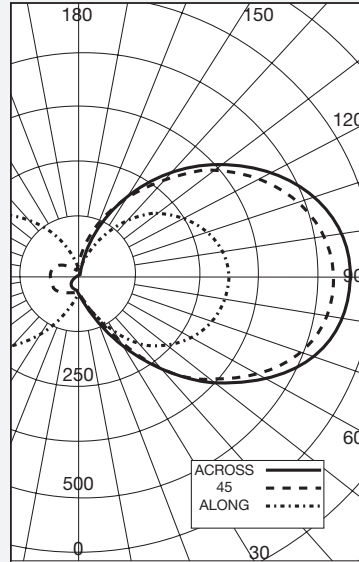
Test Date: 11/08/2006

		Coefficients of Utilization								
		90%			70%			50%		
Room Cavity Ratio	PCC>	70%	50%	30%	70%	50%	30%	50%	30%	
	PW>	0	51	51	51	43	43	43	37	37
	1	44	41	38	37	34	32	28	27	
	2	39	34	30	33	28	25	23	21	
	3	35	29	24	29	24	20	20	17	
	4	32	25	20	26	21	17	17	14	
	5	29	21	17	24	18	14	15	12	
	6	26	19	15	22	16	12	13	10	
	7	24	17	12	20	14	10	11	08	
	8	22	15	11	18	13	08	10	07	
	9	20	14	10	17	11	08	09	07	
10	19	12	08	16	10	07	08	06		

Rm. Percentage = 20%; PCC = Ceiling Reflectance;
PW = Wall Reflectance

Zunal Lumen Summary			
Zone	Lumens	%Lamp	%Luminaire
0-30	64	1.01	2.30
0-40	125	2.38	5.44
0-60	513	8.02	18.30
0-90	1425	22.28	50.82
40-90	1273	19.90	45.38
60-90	912	14.26	32.52
90-180	1379	21.56	49.18
0-180	2805	43.84	100.00

Efficiency: 43.8%



LSI test # 20447 ME-XL2-QL85-120-BA-BB
white interior and white plastic lens

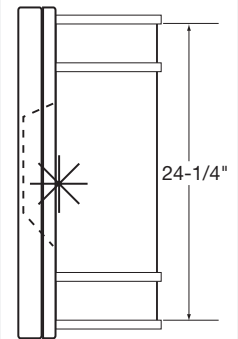
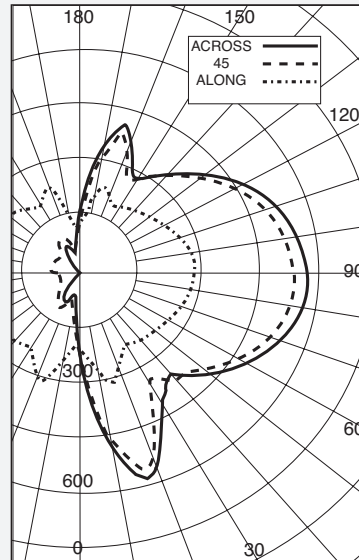
Test Date: 09/07/2005

		Coefficients of Utilization								
		90%			70%			50%		
Room Cavity Ratio	PCC>	70%	50%	30%	70%	50%	30%	50%	30%	
	PW>	0	116	116	116	99	99	99	84	84
	1	102	95	88	86	81	76	67	64	
	2	91	80	72	77	68	61	57	51	
	3	82	69	59	69	59	51	49	43	
	4	75	61	50	63	52	43	43	36	
	5	68	53	43	57	45	37	38	31	
	6	63	47	38	52	40	32	34	27	
	7	57	42	33	48	36	28	30	24	
	8	53	38	29	45	33	25	27	21	
	9	49	35	26	41	30	22	25	19	
10	46	32	23	39	27	20	23	17		

Rm. Percentage = 20%; PCC = Ceiling Reflectance;
PW = Wall Reflectance

Zunal Lumen Summary			
Zone	Lumens	%Lamp	%Luminaire
0-30	237	7.37	7.37
0-40	379	11.77	11.77
0-60	776	24.09	24.09
0-90	1665	51.69	51.69
40-90	1286	39.92	39.92
60-90	889	27.60	27.60
90-180	1556	48.31	48.31
0-180	3221	100.00	100.00

Efficiency: 100.0%

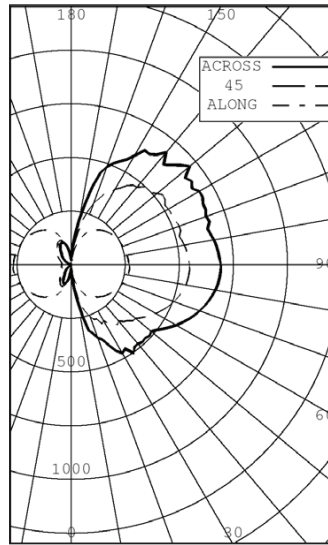


PHOTOMETRIC DATA:

Galileo Series: Saturn

Tested Using the IES LM79 Standards, IN-SITU

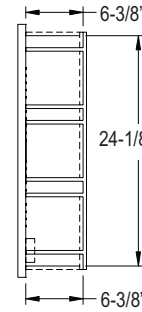
ITL test # 26747 ST-XL2-LED80-EBU-WHT
with white interior
white curved plastic lens and clear lenses on both ends
Test Date: 03/10/2010



POWER FACTOR	98.9%
LUMENS (Light Output)	3341
WATTS (At Test)	75
EFFICACY (Lumens per Watt)	44.5
CRI (Color Rendering Index)	67.7
CCT (Correlated Color Temp.)	4626K

		Coefficients of Utilization								
		90%			70%			50%		
Room Cavity Ratio	PCC>									
	PW>	70%	50%	30%	70%	50%	30%	50%	30%	
	0	115	115	115	98	98	98	82	82	
	1	101	94	88	84	79	74	65	61	
	2	90	79	70	75	66	59	54	49	
	3	81	68	58	67	57	49	46	40	
	4	74	59	49	61	50	41	40	34	
	5	67	51	42	55	44	35	35	29	
	6	61	46	36	50	38	30	31	25	
	7	56	41	31	46	34	26	28	21	
	8	52	37	27	43	31	23	25	19	
9	48	33	24	39	28	20	23	17		
10	44	30	21	37	25	18	21	15		

Rm. Percentage = 20%; PCC = Ceiling Reflectance;
PW = Wall Reflectance



Zonal Lumen Summary		
Zone	Lumens	% Luminaire
0-30	139	4.15
0-40	276	8.27
0-60	673	20.15
0-90	1577	47.19
40-90	1300	38.93
60-90	903	27.04
90-180	1764	52.81
0-180	3341	100.00

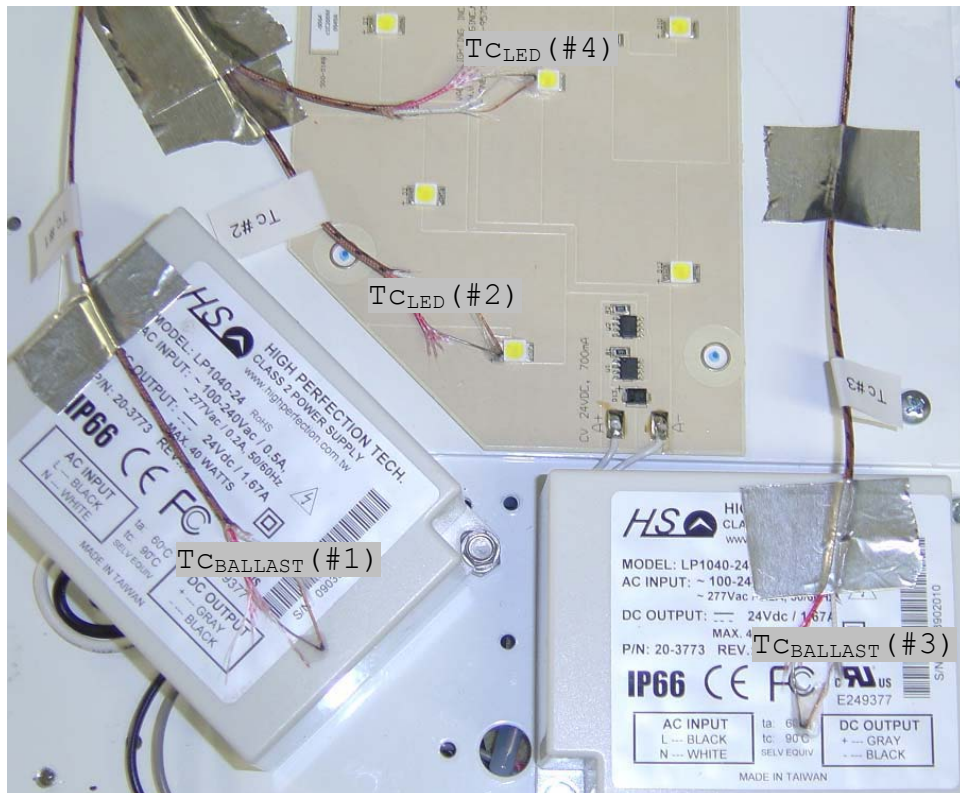
ECLIPSE LIGHTING - LED WALL MOUNT LUMINAIRE, CAT# SA-XL2-LED80-EBU-WHT
WITH WHITE INTERIOR, WHITE CURVED PLASTIC LENS AND CLEAR LENSES ON BOTH ENDS
TWENTY FOUR LEDS. LUMINAIRE OUTPUT = 3341 LMS
TWO HIGH PERFECTION LP1040-24 DRIVER OPERATING AT 120 VAC

THERMOCOUPLE #1 = 133.6°F (56.4°C)

THERMOCOUPLE #2 = 156.7°F (69.3°C)

THERMOCOUPLE #3 = 132.7°F (55.9°C)

THERMOCOUPLE #4 = 156.6°F (69.2°C)



PHOTOMETRIC DATA:

Galileo Elite Series

LSI test # 21883 CO-XL2-MHU70-PAR30-SP
diffuse metal interior and clear flat plastic lens with

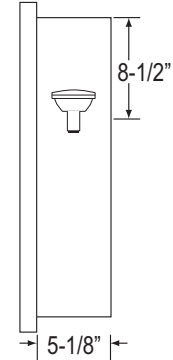
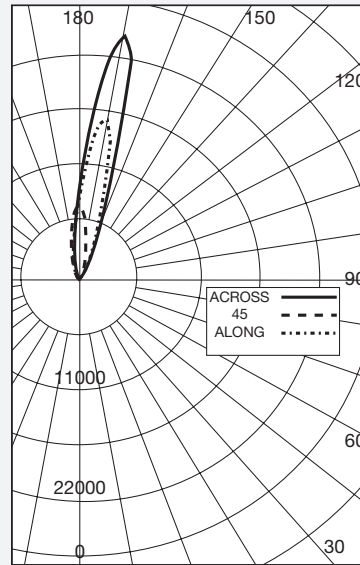
Test Date: 11/08/2006

		Coefficients of Utilization							
PCC>		90%			70%			50%	
Room Cavity Ratio	PW>	70%	50%	30%	70%	50%	30%	50%	30%
	0	96	96	96	72	72	72	49	49
	1	87	83	79	65	62	60	43	41
	2	79	72	67	59	54	50	37	35
	3	73	64	57	54	48	43	33	30
	4	66	56	48	49	42	37	29	26
	5	61	48	42	45	37	32	26	22
	6	55	44	36	41	33	28	23	19
	7	51	39	32	38	30	24	20	17
	8	47	35	28	35	27	21	18	15
	9	43	32	25	32	24	19	17	13
10	40	29	22	30	22	17	15	12	

Rm. Percentage = 20%; PCC = Ceiling Reflectance;
PW = Wall Reflectance

Zunal Lumen Summary			
Zone	Lumens	%Lamp	%Luminaire
180-150	3103	83.88	95.23
180-140	3194	86.33	98.02
180-120	3246	87.74	99.61
180-90	3258	88.08	100.00
140-90	64	01.75	01.98
120-90	12	00.34	00.39
0-90	0	00.00	00.00
0-180	3258	88.08	100

Efficiency: 88.1%



LSI test # 21884 CO-XL2-MHU70-PAR30-FL
diffuse metal interior and clear flat plastic lens with

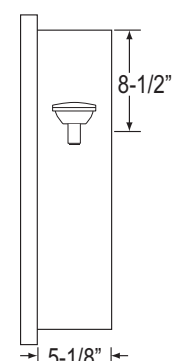
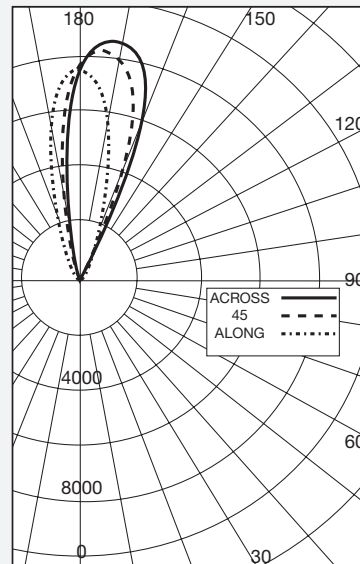
Test Date: 11/08/2006

		Coefficients of Utilization							
PCC>		90%			70%			50%	
Room Cavity Ratio	PW>	70%	50%	30%	70%	50%	30%	50%	30%
	0	80	80	80	60	60	60	41	41
	1	73	70	66	54	52	50	36	34
	2	66	60	56	49	45	42	31	29
	3	61	53	47	45	40	36	27	25
	4	55	47	41	41	35	31	24	21
	5	51	40	35	37	31	27	21	19
	6	46	37	30	34	28	23	19	16
	7	43	33	27	32	25	20	17	14
	8	39	30	23	29	22	18	15	13
	9	36	27	21	27	20	16	14	11
10	34	24	18	25	18	14	13	10	

Rm. Percentage = 20%; PCC = Ceiling Reflectance;
PW = Wall Reflectance

Zunal Lumen Summary			
Zone	Lumens	%Lamp	%Luminaire
180-150	2454	66.33	90.04
180-140	2596	70.18	95.26
180-120	2680	72.44	98.33
180-90	2725	73.67	100.00
140-90	129	03.49	04.74
120-90	45	01.23	01.67
0-90	0	00.00	00.00
0-180	2725	73.67	100.00

Efficiency: 73.7%



LSI test # 21885 CO-XL2-MHD25-PAR38-SP
diffuse metal interior and clear flat plastic lens with

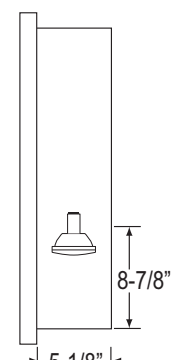
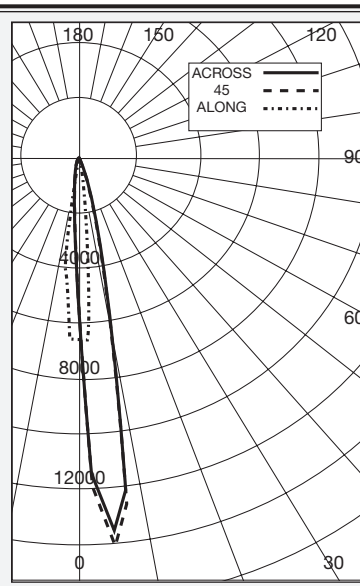
Test Date: 11/08/2006

		Coefficients of Utilization							
PCC>		90%			70%			50%	
Room Cavity Ratio	PW>	70%	50%	30%	70%	50%	30%	50%	30%
	0	90	90	90	86	86	86	82	82
	1	88	86	85	84	83	82	80	79
	2	85	83	81	82	80	79	78	77
	3	83	80	78	81	78	76	77	75
	4	81	78	75	79	77	75	75	73
	5	80	76	73	78	75	73	74	72
	6	78	75	72	77	74	71	73	71
	7	77	73	71	76	72	70	72	70
	8	76	72	70	74	71	69	71	69
	9	74	71	69	74	70	68	70	68
10	74	70	68	72	69	68	69	67	

Rm. Percentage = 20%; PCC = Ceiling Reflectance;
PW = Wall Reflectance

Zunal Lumen Summary			
Zone	Lumens	%Lamp	%Luminaire
0-30	848	69.52	93.86
0-40	873	71.56	96.60
0-60	896	73.47	99.18
0-90	903	74.07	100.00
40-90	30	02.52	03.40
60-90	7	00.60	00.82
90-180	0	00.00	00.00
0-180	903	74.07	100.00

Efficiency: 74.1%



PHOTOMETRIC DATA:

Galileo Elite Series

LSI test # 21886 CO-XL2-MHD25-PAR38-FL
diffuse metal interior and clear flat plastic lens with

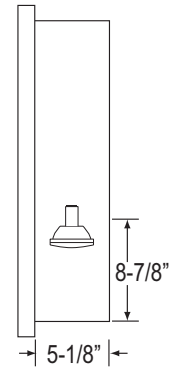
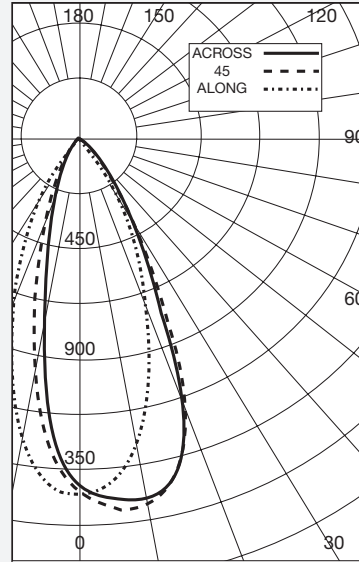
Test Date: 11/08/2006

		Coefficients of Utilization										
		90%			70%			50%				
Room Cavity Ratio	PCC>	70%	50%	30%	70%	50%	30%	50%	30%	50%	30%	
		PW>	70%	50%	30%	70%	50%	30%	50%	30%	50%	30%
		0	78	78	78	74	74	74	71	71	71	71
		1	75	73	72	72	71	69	68	68	67	67
		2	72	69	67	69	67	65	65	65	63	63
		3	69	66	63	67	64	62	63	63	61	61
		4	67	63	60	65	61	59	60	60	58	58
		5	64	60	57	62	59	56	58	58	55	55
		6	62	58	54	60	57	54	56	56	53	53
		7	60	55	52	58	54	51	53	53	51	51
		8	58	53	50	56	52	49	51	49	49	49
	9	56	51	48	55	50	47	49	49	47	47	
	10	54	49	46	53	48	46	48	48	45	45	

Rm. Percentage = 20%; PCC = Ceiling Reflectance;
PW = Wall Reflectance

Zonal Lumen Summary			
Zone	Lumens	%Lamp	%Luminaire
0-30	626	51.31	80.31
0-40	723	59.34	92.87
0-60	765	62.73	98.18
0-90	779	63.90	100.00
40-90	55	04.55	07.13
60-90	14	01.17	01.82
90-180	0	00.00	00.00
0-180	779	63.90	100.00

Efficiency: 63.9%



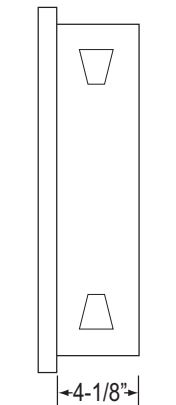
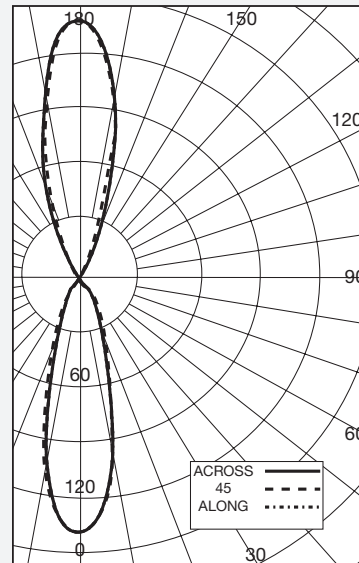
LSI test # 21996 CO-XL1-LED-4W UP-4W DOWN
with white interior and top/bottom clear flat plastic lens

Test Date: 12/06/2006

		Coefficients of Utilization										
		90%			70%			50%				
Room Cavity Ratio	PCC>	70%	50%	30%	70%	50%	30%	50%	30%	50%	30%	
		PW>	70% <td>50% <td>30% <td>70% <td>50% <td>30% <td>50% <td>30% <td>50% <td>30%</td> </td></td></td></td></td></td></td></td>	50% <td>30% <td>70% <td>50% <td>30% <td>50% <td>30% <td>50% <td>30%</td> </td></td></td></td></td></td></td>	30% <td>70% <td>50% <td>30% <td>50% <td>30% <td>50% <td>30%</td> </td></td></td></td></td></td>	70% <td>50% <td>30% <td>50% <td>30% <td>50% <td>30%</td> </td></td></td></td></td>	50% <td>30% <td>50% <td>30% <td>50% <td>30%</td> </td></td></td></td>	30% <td>50% <td>30% <td>50% <td>30%</td> </td></td></td>	50% <td>30% <td>50% <td>30%</td> </td></td>	30% <td>50% <td>30%</td> </td>	50% <td>30%</td>	30%
		0	115	115	115	99	99	99	83	83	83	83
		1	108	105	102	93	91	89	78	76	76	76
		2	102	96	91	88	84	80	73	70	70	70
		3	96	89	83	84	78	74	69	66	66	66
		4	91	82	76	80	74	69	65	62	62	62
		5	86	76	70	76	69	64	62	58	58	58
		6	82	73	66	73	66	61	59	56	56	56
		7	78	68	62	69	62	57	56	53	53	53
		8	75	65	58	67	59	54	54	50	50	50
	9	71	61	55	64	56	52	52	48	48	48	
	10	68	58	52	61	54	49	50	46	46	46	

Rm. Percentage = 20%; PCC = Ceiling Reflectance;
PW = Wall Reflectance

Zonal Lumen Summary			
Zone	Lumens	%Lamp	%Luminaire
0-30	39	44.53	44.52
0-40	42	48.55	48.54
0-60	44	49.81	49.80
0-90	44	50.01	50.00
40-90	1	01.46	01.46
60-90	0	00.20	00.20
90-180	44	50.01	500.00
0-180	88	100.00	100.00



PHOTOMETRIC DATA:

Galileo Pendant Series

LSI test # 22735 COP-XL1-TTT(3)57-3EB-BK
semi-specular reflector and no lens

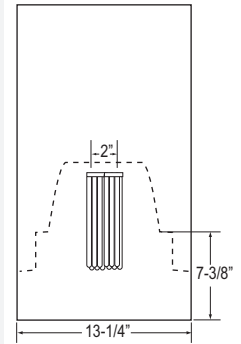
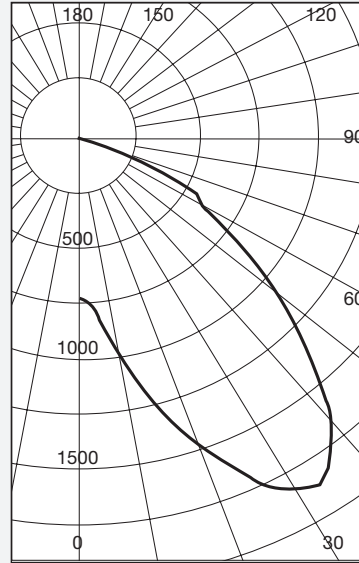
Test Date: 08/01/2007

		Coefficients of Utilization							
		90%			70%			50%	
PCC>	PW>	70%	50%	30%	70%	50%	30%	50%	30%
Room Cavity Ratio	0	45	45	45	43	43	43	41	41
	1	42	40	39	40	39	38	37	36
	2	39	36	34	37	35	33	34	32
	3	36	32	30	34	31	29	30	28
	4	33	29	26	32	28	26	27	25
	5	31	26	23	29	25	22	24	22
	6	28	23	20	27	23	20	22	19
	7	26	21	17	24	20	17	20	17
	8	24	19	15	23	18	15	18	15
	9	22	17	13	21	16	13	16	13
	10	20	15	12	19	14	12	14	11

Rm. Percentage = 20%; PCC = Ceiling Reflectance;
PW = Wall Reflectance

Zunal Lumen Summary			
Zone	Lumens	%Lamp	%Luminaire
0-30	1229	10.00	27.19
0-40	2342	19.04	51.80
0-60	4081	33.19	90.28
0-90	4521	36.76	100.00
40-90	2179	17.72	48.20
60-90	439	3.57	9.72
90-180	0	0.00	0.00
0-180	4521	36.76	100.00

Efficiency: 36.8%



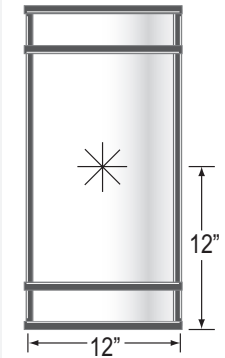
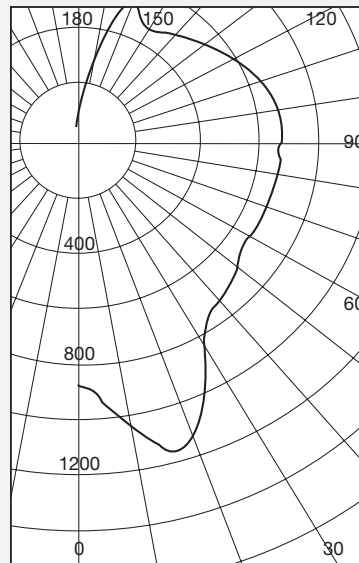
LSI test # 21307 MEP-XL1-QL-165-277
white plastic cylinder with open top and bottom

Test Date: 06/05/2006

		Coefficients of Utilization							
		90%			70%			50%	
PCC>	PW>	70%	50%	30%	70%	50%	30%	50%	30%
Room Cavity Ratio	0	116	116	116	101	101	101	87	87
	1	103	96	90	88	83	78	71	67
	2	92	82	74	79	71	64	60	55
	3	84	71	62	71	61	54	52	46
	4	77	63	53	65	54	46	46	40
	5	70	55	46	60	48	40	41	34
	6	64	50	40	55	43	35	37	30
	7	59	44	35	50	38	31	33	26
	8	55	40	31	47	35	27	30	24
	9	51	36	27	43	32	24	27	21
	10	47	33	25	41	29	22	25	19

Rm. Percentage = 20%; PCC = Ceiling Reflectance;
PW = Wall Reflectance

Zunal Lumen Summary			
Zone	Lumens	%Lamp	%Luminaire
0-30	870	10.51	10.50
0-40	1353	16.33	16.33
0-60	2513	30.32	30.32
0-90	4644	56.04	56.03
40-90	3290	39.70	39.70
60-90	2131	25.71	43.97
90-180	3644	43.97	25.71
0-180	8289	100.00	100.00



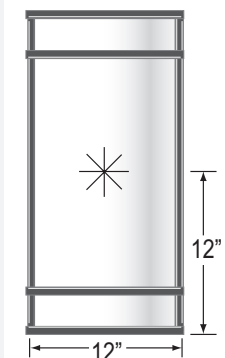
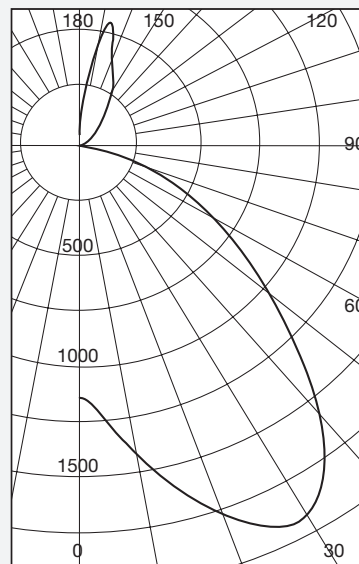
LSI test # 21308 MEP-XL1-QL-165-277
white painted metal cylinder with open top and bottom

Test Date: 06/05/2006

		Coefficients of Utilization							
		90%			70%			50%	
PCC>	PW>	70%	50%	30%	70%	50%	30%	50%	30%
Room Cavity Ratio	0	120	120	120	112	112	112	104	104
	1	111	107	103	104	100	97	94	91
	2	103	95	89	96	89	84	84	80
	3	94	84	77	88	80	73	75	70
	4	87	76	67	81	72	65	68	62
	5	81	68	59	75	64	57	61	54
	6	74	61	52	69	58	50	55	48
	7	68	54	46	63	52	44	49	42
	8	63	49	41	59	47	39	44	38
	9	58	45	36	54	42	35	40	33
	10	54	40	32	50	38	31	36	30

Rm. Percentage = 20%; PCC = Ceiling Reflectance;
PW = Wall Reflectance

Zunal Lumen Summary			
Zone	Lumens	%Lamp	%Luminaire
0-30	1470	25.26	25.26
0-40	2574	44.24	44.24
0-60	4330	74.41	74.41
0-90	5117	87.93	87.93
40-90	2542	43.69	43.69
60-90	787	13.53	13.53
90-180	702	12.07	12.07
0-180	5820	100.00	100.00



PHOTOMETRIC DATA:

Galileo Pendant Series

LSI test # 22822 MEP-XL1-TT(2)40-WH
white plastic tube lens with open top and bottom

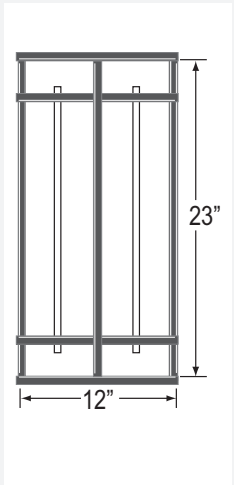
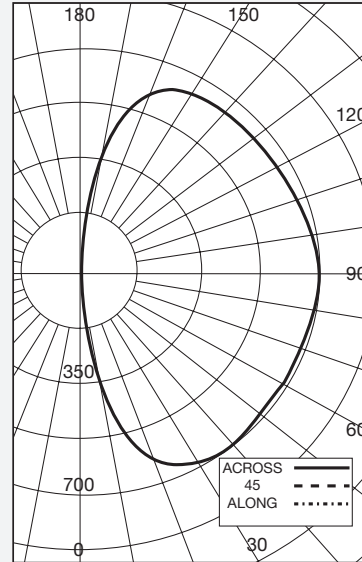
Test Date: 10/01/2007

		Coefficients of Utilization								
		90%			70%			50%		
Room Cavity Ratio	PCC>	70%	50%	30%	70%	50%	30%	50%	30%	
	0	78	78	78	67	67	67	57	57	
	1	69	64	60	58	55	51	45	43	
	2	61	54	49	52	46	41	38	35	
	3	56	47	40	46	40	34	33	29	
	4	51	41	34	42	35	29	29	24	
	5	46	35	29	38	30	25	25	21	
	6	42	32	25	35	27	21	22	18	
	7	38	28	22	32	24	19	20	15	
	8	35	25	19	30	21	16	18	14	
	9	33	23	17	27	19	14	16	12	
10	30	21	15	26	18	13	15	11		

Rm. Percentage = 20%; PCC = Ceiling Reflectance;
PW = Wall Reflectance

Zunal Lumen Summary			
Zone	Lumens	%Lamp	%Luminaire
0-30	482	3.83	5.66
0-40	923	7.33	10.85
0-60	2100	16.67	24.67
0-90	4311	34.22	50.66
40-90	3388	26.89	39.80
60-90	2211	17.55	25.98
90-180	4200	33.34	49.34
0-180	8512	67.56	100.00

Efficiency: 67.6%



LSI test # 22823 MEP-XL1-TT(4)40-WH
white plastic tube lens with open top and bottom

Test Date: 10/11/2007

		Coefficients of Utilization								
		90%			70%			50%		
Room Cavity Ratio	PW>	70%	50%	30%	70%	50%	30%	50%	30%	
	0	84	84	84	72	72	72	60	60	
	1	74	69	65	62	58	55	48	45	
	2	66	59	52	55	49	44	40	37	
	3	60	50	43	50	42	37	35	30	
	4	54	44	37	45	37	31	30	26	
	5	50	38	31	41	33	27	27	22	
	6	45	34	27	37	29	23	24	19	
	7	41	30	23	34	26	20	21	16	
	8	38	27	21	32	23	17	19	14	
	9	35	25	18	29	21	15	17	13	
10	33	22	16	27	19	14	16	11		

Rm. Percentage = 20%; PCC = Ceiling Reflectance;
PW = Wall Reflectance

Zunal Lumen Summary			
Zone	Lumens	%Lamp	%Luminaire
0-30	237	3.77	5.17
0-40	451	7.17	9.82
0-60	1020	16.20	22.18
0-90	2187	34.72	47.51
40-90	1735	27.55	37.70
60-90	1166	18.51	25.34
90-180	2416	38.35	52.49
0-180	4603	73.07	100.00

Efficiency: 73.1%

