

Pendant Sagittarius

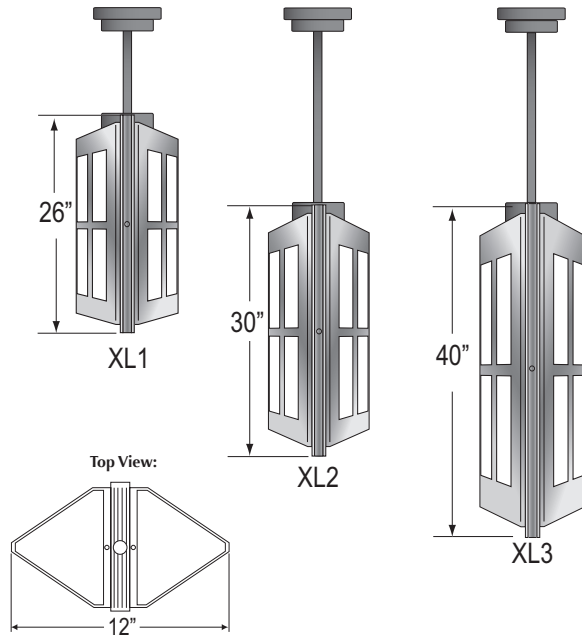
GALILEO PENDANT SERIES

INDOOR/OUTDOOR PENDANT MODEL

Incandescent, Fluorescent, HID, Induction and LED lamp

We reserve the right to revise the design or components of any product without notice.

CATALOG #		TYPE
PROJECT/LOCATION		
APPROVED BY		



SPECIFICATIONS

- BALLAST** — For CFL Electronic Cold Weather HPF is Standard.
For HID Electronic Pulse Start Metal Halide (HPF) is Standard (EBMH).
- DIFFUSER** — White translucent, non-yellowing 100% virgin acrylic, .125 Thick (1/8").
Closed top and bottom standard. Optional Clear or Opaque top and/or bottom.
- FASTENERS** — Stainless steel tamperproof screws (2) to secure lens in place
- FINISH** — Corrosion and Weather resistant, extremely durable pre-treated oven baked polyester powder
- MOUNTING** — Pendant mount. Specify Stem Length. Indoor/Outdoor (Damp Covered Ceiling)
- PENDANT** — Standard Pendant Model Suspension includes Canopy. Must Specify Stem Length (ST) — 12" is standard length, 24" and custom lengths are optional.
- SHIELD** — Solid Aluminum Opaque Shield. Specify Finish.
- UL/ULC** — UL/ULC Listed to U.S. and Canadian safety standards - Suitable for dry or damp locations. Requires covered ceiling for outdoor installation, damp location.

LAMP TYPE/QTY/WATTAGE ¹				
Visit www.eclipselightinginc.com for available IES files				
Fixture Size		XL1	XL2	XL3
Dimensions - W x H x D		12" diameter x 26" length	12" diameter x 30" length	12" diameter x 40" length
Compact Fluorescent Twin Tube	TT	(2)39/40w	(2 or 3)39/40w	(4)39/40w
Compact Fluorescent Double Twin Tube	DTT	(2 or 4)26w	(2 or 4)26w	(4)26w
Compact Fluorescent Triple Twin Tube	TTT	(1)42/57/70w	(2)42/57w; (1)57/70w	(2)57/70w
Linear Fluorescent	T8	N/A	(3 or 4)17w	(3)17w
Pulse Start Metal Halide: ED17	MH	N/A	(1)50/70w	(1)50/70w; (2)70w
Light Emitting Diode	LED	40w	40w	60w
LED Down or Uplight	LEDD/LEDU	10 or 15w	10 or 15w	10 or 15w

ORDERING GUIDE:

Series Size Lamp Type/Qty/Watt Voltage: Primary/Emergency Finish Options

NOTES:

- Consult Factory with requests regarding lamp sources, including LED, color temp., wattages or voltages not shown.
- Consult Factory for additional Emergency Battery options not shown.
- Consult Factory for other Voltage.

SERIES

SGP = Sagittarius Pendant

SIZE

XL1 = 26"
XL2 = 30"
XL3 = 40"

STEM LENGTH

ST12 = 12" Stem Length (1/2" Dia.)
ST24 = 24" Stem Length (1/2" Dia.)
STCR = Custom Stem Length (7/2" Max)

LAMP TYPE/LAMP QUANTITY/WATTAGE

Refer to Chart Above

COLOR TEMPERATURE ¹ (LED ONLY)

3K = ±3000K range LED
4K = ±4000K range LED
5K = ±5000K range LED

VOLTAGE

120 = 120 Volts EB
277 = 277 Volts EB
347 = 347 Volts EB
2EBU = Two Universal Volt Electronic Ballasts
EBMH = Electronic Ballast for Metal Halide
EBU = High Temp Universal Volt (120-277v) Electronic Ballast Pmg. Start for CFL

FINISH (list PX or SHLD finish second)

STANDARD PAINTED FINISH

BK = Black
BZ = Bronze
PNA = Painted Natural Aluminum
SGR = Silver Gray
WH = White
CUSTOM ORDER PAINTED FINISH
CC = Custom Color (Provide Specs)
HBA = Hand Brushed Aluminum with Clear Coat

LED OPTIONS

BL = Dual Circuit for Bi-Level Light (High/Low)
D7 = 0-10V low-voltage dimming (100-30% Standard, Consult Factory for Other)
D8 = LED Dimming: Forward Phase/Leading Edge (Triac) - Consult Factory
D9 = LED Reverse Phase/Trailing Edge ELV - Consult Factory
D11 = DALI LED Dimming Driver - Consult Factory
D12 = Lutron Dimming Driver - Consult Factory

OPTIONS

CLB = Closed Bottom
CR = Custom Requirements
CTB = Clear Top & Bottom
D3 = Compact Fluorescent Dimming Ballast
DL = Damp Location — Closed Top (CLT) Included
FUS = Single Fusing
DFUS = Double Fusing
GTD = Generator Transfer Device (Bodine)
GV = Gravura Custom Engraving (Consult Factory)
OQTB = Opaque Top & Bottom
PX = Alum. Perforated Insert with 1/16" dia. holes (Must Specify Finish)
TB = Closed Translucent Bottom
STC = Static Canopy
SWC = Swivel Canopy

FLUORESCENT EMERGENCY OPTIONS ²

No onsite Emergency Power (AC or DC) is provided
Specify Fixture Voltage: 120V or 277V Power Feed A=120V or B=277V
REL1 = Remote Emergency Battery T8; 1 Lamp - 600 Lumens
REL2 = Remote Emergency Battery: 650 Lumen DTT/TTT 1-2 Lamp; T8 1-2 Lamps
REL7 = Remote Emergency Battery: T8/DTT/TTT; 1-2 Lamp; 1400 Lumens