

Galileo Family Comet Pendant Series

Indoor

We reserve the right to revise the design or components of any product without notice.

CATALOG #		TYPE
PROJECT/LOCATION		
APPROVED BY		

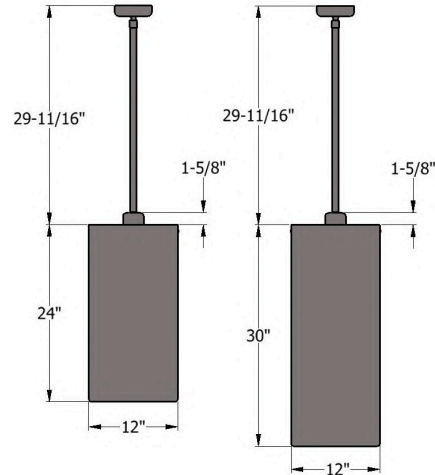
SPECIFICATIONS

- **CYLINDER** — 14 gauge (0.064") thick rolled and welded aluminum.
- **DRIVER** — Universal Volt (120-277v) electronic driver with standard 0-10VDC dimming.
- **FINISH** — Corrosion and Weather resistant, extremely durable pre-treated oven baked polyester powder.
- **MOUNTING** — 36" stem is standard. Swivel and Static canopies as well as Rapid Mount options are available. See Page 2 for details.
- **COMPLIANCE** — Built to comply with U.S. and Canadian safety standards - Suitable for indoor dry locations. Meets Buy American Act (BAA) Requirements.

Galileo Pendants are fully customizable.
Consult factory for options not shown.



Dimensions Shown for 24" Stem Length



ORDERING INFO

Series	Size	Mounting	Center Wattage	UP/DN Wattage	CCT	CRI	Voltage	Control Scenario	Finish	Top/Bottom Lensing	Options
COP			N/A								

SERIES

COP = Comet Pendant

SIZE

XL1 = 24"
XL2 = 30"

MOUNTING ④

ST24 = 24" Stem (1/2" Dia.) w/ Static Canopy
ST(XX) = Custom Stem Length (Specify) w/ Static Canopy
SW24 = 24" Stem (1/2" Dia.) w/ Swivel Canopy
SW(XX) = Custom Stem Length (Specify) w/ Swivel Canopy
CLSM = Cluster Mounting (Consult Factory)

DOWNLIGHT WATTAGE (Required)

DN10 = LED Downlight 10 Watt
DN15 = LED Downlight 15 Watt
DN20 = LED Downlight 20 Watt

UPLIGHT WATTAGE (Optional)

UP10 = LED Uplight 10 Watt
UP15 = LED Uplight 15 Watt

COLOR TEMPERATURE (CCT)

3K = ±3000K range LED
35K = ±3500K range LED
4K = ±4000K range LED
5K = ±5000K range LED

COLOR RENDERING INDEX (CRI)

80CRI = 80 Color Rendering Index (STANDARD)
90CRI = 90 Color Rendering Index (Not Available for 5K)

VOLTAGE

UNV = Universal Volt (120-277v) Driver

CONTROL SCENARIO ⑤

1D = Downlight Only
1UD = Uplight / Downlight - Single Control
2UD = Uplight / Downlight - Separate Control

STANDARD FINISH

BK = Black Finish
BZ = Bronze Finish
PNA = Painted Natural Aluminum
SGR = Silver Gray
WH = White Finish

PREMIUM UPCHARGE FINISH

CC = Custom Color (Visit www.ralcolor.com)
— Provide RAL# or Make-to-Match Color Chip

INHIBITOR FINISH

+NAT = Epoxy Coating for Chlorine Environments

TOP & BOTTOM LENSING

Note: You must select both a top & bottom lensing selection ⑥

CT = Clear Top Lens
CB = Clear Bottom Lens
CTB = Clear Top & Bottom Lens
OT = Open Top (No Lensing)
OB = Open Bottom (No Lensing)
OTB = Open Top & Bottom (No Lensing)
OQT = Opaque Top (No Up Light)
TT = Translucent Top Lens
TB = Translucent Bottom Lens
TTB = Translucent Top & Bottom Lens

CONTROL OPTIONS

Note: 0-10V 100%-30% is Standard
D7A = 0-10VDC LED Dimming Driver (100-10%)
D7B = 0-10VDC LED Dimming Driver (100-1%)

MISC OPTIONS

FUS = Single Fusing

NOTES:

- ④ See Mounting Options on Page 2.
- ⑤ See Control Scenarios on Page 2.
- ⑥ Both top and bottom lensing options **must** be chosen. See full details on Page 3

Galileo Family Comet Pendant Series

Indoor

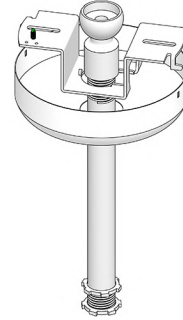
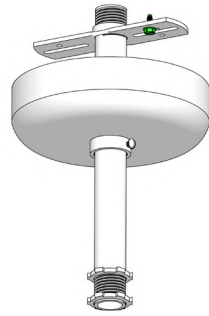
We reserve the right to revise the design or components of any product without notice.

CATALOG #		TYPE
PROJECT/LOCATION		
APPROVED BY		

MOUNTING OPTIONS

ST24 - Static Canopy (Not to be used on Sloped Ceiling)

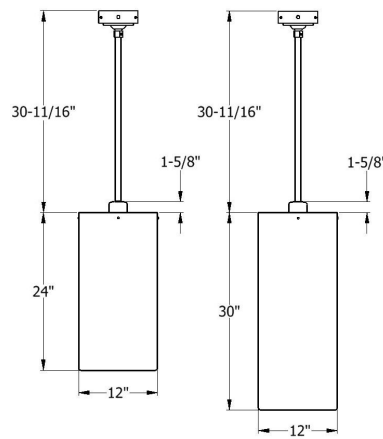
SW24 - Swivel Canopy



(RMB) MOUNTING



Dimensions Shown for 24" Stem Length



CONTROL SCENARIOS

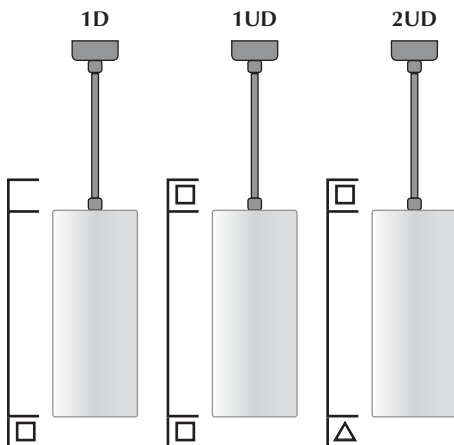
□ = Circuit #1

△ = Circuit #2

Examples: 1D = Downlight Only

1UD = Uplight / Downlight - Single Control

2UD = Uplight / Downlight - Separate Control



Galileo Family

Comet Pendant Series

Indoor

We reserve the right to revise the design or components of any product without notice.

CATALOG #		TYPE
PROJECT/LOCATION		
APPROVED BY		

TOP & BOTTOM LENSING (Required)

Open Top (OT) and/or Open Bottom (OB)
(Not available for Damp or Wet Installations)



Clear Top (CT) and/or Clear Bottom (CB)



Translucent Top (TT) and/or Translucent Bottom (TB)



Opaque Top (OQT)

