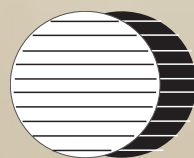


TROY

Cylinder Family
by Eclipse Lighting

Pendant
Ceiling
Wall



ECLIPSE[®]
LIGHTING

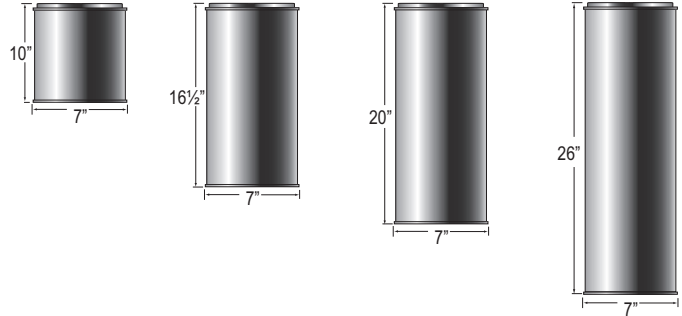
Troy

Pendant and Surface Family—Damp Location Cylinder Full Cut-Off — Dark Sky

SPECIFICATIONS

- DRIVER — LED Electronic Driver — Specify Voltage.
- BALLAST — For Compact Fluorescent Electronic Cold Weather HPF is Standard.
- HOUSING — Open heavy gauge aluminum cylinder in Powder Coat Finish applied over pre-treated surfaces.
- LAMP — Triple Twin Tube (TTT) Compact Fluorescent (Ballast must be remote); PAR 20 Metal Halide Down Light — By Others; LED Uplight/Downlight (LEDU/LEDD).
- LENS — .156" Clear Tempered Glass (85) is Standard. Optional .156" C73 Prismatic Tempered Glass (93).
- MOUNTING — Surface Ceiling, Wall or Pendant (specify length) Mount. Optional Swivel Pendant for Indoor/Damp Location Only (canopy included).
- REFLECTOR — .032 Specular Aluminum Standard
- SOCKET — For HID: Pulse-rated porcelain
- COMPLIANCE — Built to comply with U.S. and Canadian safety standards. Suitable for wet locations. IP65 tested and rated.

		TROY			
LAMPING		7" Dia. x 10"	7" Dia. x 16½"	7" Dia. x 20"	7" Dia. x 26"
Triple Twin Tube CFL	DTT	(1)26w	(1)32/42w	(1)32/42w	(1)32/42w
Triple Twin Tube CFL	TTT	(1)26/32/42w	(1)26/32/42w	(1)26/32/42w	(1)26/32/42w
PAR Metal Halide Down	PAR-MHD	20/39w	20/39w	20/39w	20/39w
LED Downlight	LEDD	15w	15w	25w	15/25/30w
LED Uplight	LEDU	15w	15w	25w	15/25/30w



ORDERING GUIDE:	Series	Style	Lamp/Qty/Watt	Color Temp	Voltage: Primary/Emergency	Finish	Options

SERIES

TY = Troy Series

SIZE

- 10 = 10" Tall (7" dia.)
- 16 = 16½" Tall (7" dia.)
- 20 = 20" Tall (7" dia.)
- 26 = 26" Tall (7" dia.)

STYLE (MOUNTING)

PEND = Pendant Mount— Standard 24" Stem
(For Custom Stem Specify Length)

Specify: **STC** or **SWC**

CM = Ceiling Mount

WM = Wall Mount (requires ARM)

LAMP TYPE/QUANTITY/WATTAGE

Refer to Above Chart

VOLTAGE

- 120 = 120 Volts
- 277 = 277 Volts
- 347 = 347 Volts (Consult Factory)
- EBU = Electronic Ballast (Remote for CFL)

COLOR TEMPERATURE

- 3K = ±3000K range (120 Initial LPW)
- 4K = ±4000K range (132 Initial LPW)
- 5K = ±5000K range (140 Initial LPW)

FINISH

- BK = Black
- BZ = Bronze
- PNA = Painted Natural Aluminum
- CC = Custom Color
- WH = White

OPTIONS

- 85 = .156" Clear Tempered Glass (Standard)
- 93 = .156" C73 Prismatic Tempered Glass
- ARM6 = Extended Arm—Req'd with Wall Mount—6" Standard
- ARM3 = 3" Length Extended Arm
- CR = Custom Requirements
- D3 = Compact Fluorescent Dimming Ballast
- DK = Dark Sky—Opaque Top, Clear Bottom
- FUS = Single GLR Fuse and Fuse Holder
- GLR = In Line Fusing
- ONB = Open Bottom—Non Lensed, Indoor Only
- REB = Remote Electronic Ballast (Must be remote when choosing any CFL lamping)
- STC = Static Canopy for Pendant Mount
- SWC = Swivel Canopy for Pendant Mount
- WET = Wet Location (Not Available with Swivel Pendant)

LED OPTIONS

- D7 = 0-10V low-voltage dimming (100-30% Standard, Consult Factory for Other)

EMERGENCY BATTERY OPTIONS

No onsite Emergency Power (AC or DC) is provided
Specify Fixture Voltage: 120V or 277V Power Feed
A=120V or B=277V

Fluorescent Emergency Battery

- REL2 = Remote; TTT; 1-2 Lamp; 650 Lumens
- REL52 = Remote; Cold Weather (Bodine)
DTT/TTT; 1-2 Lamp; up to 1250 Lms.

LED Emergency Battery

- REL61 = Remote; LED 12W, ± 720 Lms (Iota)
- REL63 = Remote; LED 23W, ± 1290 Lms (Bodine)
- REL67 = Remote; Cold Weather
LED 23W, ± 1290 Lms (Iota)
- REL69 = Remote; LED 23W ± 1290 Lms (Iota)
- REL96 = Remote; LED 10W ± 1300 Lms (Bodine)

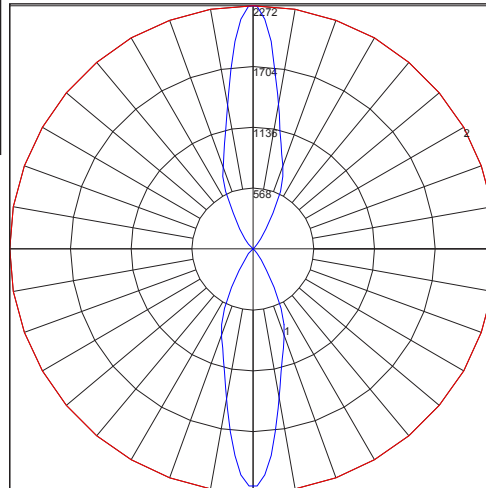


ARRA
Compliant

Test # **L04148904**
TY-20-WM-LED20-3K-UP/DN-120-BZ
 20.5" L. x 7.25" Dia. LED Luminaire with clear lens
 Test Date: 05/02/2014

Coefficients of Utilization								
Room Cavity Ratio	PCC>	80%		70%			50%	
	PW>	70%	50%	70%	50%	30%	50%	30%
	0	107	107	107	99	99	99	84
1	101	97	92	93	90	88	77	76
2	94	88	80	87	83	79	71	69
3	88	81	71	82	76	71	66	63
4	83	74	64	77	70	65	62	58
5	78	69	58	72	65	59	57	53
6	73	64	53	68	60	55	54	49
7	69	59	48	65	56	50	50	46
8	65	55	45	61	52	47	47	43
9	62	52	41	58	49	44	45	40
10	59	49	39	55	46	41	42	38

Rm. Percentage = 20%; PCC = Ceiling Reflectance;
PW = Wall Reflectance



Maximum Candela = 2272 Located At Horizontal Angle = 0, Vertical Angle = 180
 # 1 - Vertical Plane Through Horizontal Angles (0 - 180) (Through Max. Cd.)
 # 2 - Horizontal Cone Through Vertical Angle (180) (Through Max. Cd.)

POWER FACTOR	0.98
LUMENS (Light Output)	1788.76
WATTS	31.11
EFFICACY (Lmns per Watt)	57
CRI (Color Rendering Index)	93
CCT (Correlated Color Temp.)	3121K

Zonal Lumen Summary		
Zone	Lumens	% Luminaire
0-30	730.91	40.90
0-40	855.04	47.80
0-60	910.20	50.90
0-90	910.20	50.90
40-70	55.16	3.10
60-80	0.00	0.00
90-180	878.56	49.10
0-180	1788.76	100.00

