

Sunset

Indoor/Outdoor – DAMP LOCATION
Low Profile/ADA LED Luminaire
Ceiling or Pendant Mount

We reserve the right to revise the design or components of any product without notice.

CATALOG #		TYPE
PROJECT/LOCATION		
APPROVED BY		

SPECIFICATIONS

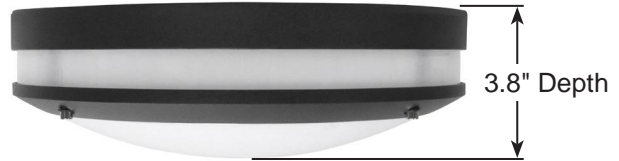
- HOUSING — Precision die cast aluminum wall plate and diffuser frame. Diffuser frame secures diffuser via four Stainless steel socket head hex cap screws.
- DIFFUSER — Injection molded, high impact Opal Polycarbonate.
- LED (LIGHT EMITTING DIODE) — Three linear LED strips provide 1830 delivered lumens (80 CRI) with 4000K option and 1750 delivered lumens (80 CRI) with 3000K option.
- DRIVER — Universal Voltage driver (EBU) provided for 120 thru 277 volts operation. EBU drivers provided on all LED luminaires.
- FINISH — Cast aluminum wall plate and diffuser frame finished in chip resistant polyester powder coating. Black finish is standard. White and Gray finishes available, consult factory for lead times.
- MOUNTING — Ceiling Mount is standard, via universal crossbar and threaded nipple (provided with luminaire). Mounts directly to standard 3" and 4" junction boxes.
- PENDANT MOUNT — Optionally, can be pendant mounted via 1/2" hang straight or static stem. 12" stems standard. Custom stem lengths available up to ten feet, consult factory. Optionally, can be three point stainless steel cable suspension mounted. Cable suspension mount supplied with black or white power cord and canopy. See ordering Options below.
- COMPLIANCE — ETL/cETL Listed Luminaire. Conforms to UL STD.1598 and Certified to CSA STD.c22.2 NO.250.0. Suitable for Damp Locations. Energy Star Certified. (ADA) America Disabilities Act Compliant.



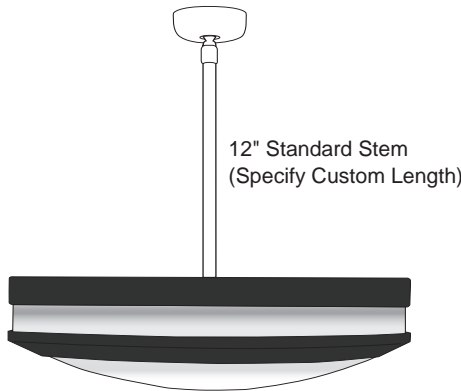
ADA
COMPLIANT



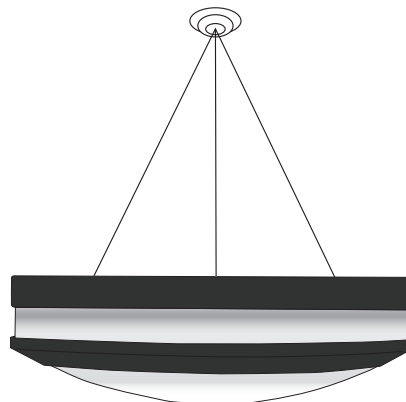
DIMENSIONS



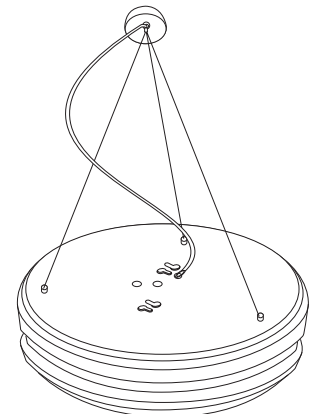
OPTIONS



Sunset with Optional 45° Hang
Straight Swivel Pendant Mount
(PEND-ST)



Sunset with Optional Pendant
Cable Suspension Mount
(PENDC)



Sunset

Indoor/Outdoor—DAMP LOCATION

Low Profile/ADA LED Luminaire

Ceiling or Pendant Mount

ORDERING GUIDE:

Series		Lamp/Wattage		Color Temp		Voltage		Finish		Options	
--------	--	--------------	--	------------	--	---------	--	--------	--	---------	--

SERIES

SU = Sunset Series (12.6" Dia. x 3.8" Depth)

LED WATTAGE

LED23 = 23 Watt LED

**Values are based on nominal system Watts*

LED COLOR TEMPERATURE

3K = ±3000K range (120 Initial LPW)

4K = ±4000K range (132 Initial LPW)

**For other Color Temperatures not shown, please CONSULT FACTORY.*

VOLTAGE

120 = 120 Volts

277 = 277 Volts

EBU = Universal Volt (120-277v)

FINISH

BK = Black Finish (Standard)

WH = White Finish

CC = Custom Color (Consult Factory)

OPTIONS

D7 = 0-10V low-voltage LED Dimming (Indoor ONLY)
100-30% Std, Consult Factory for Other

OS = Occupancy Sensor

PENDC= Pendant Mount with Stainless Steel Cable Suspension.
Supplied with mounting cables, ceiling canopy and SVT power cord. ❶

PEND-ST= 45° Hang Straight Swivel Pendant Mount.
Mounts to sloped ceilings up to 45° with recessed or surface mounted junction boxes.

STC = Static Canopy

NOTES:

❶ Consult Factory with requests regarding lamp sources, wattages or voltages not shown.

❷ Consult Factory for additional Emergency Battery options not shown.

❸ Aircraft cable for Pendant Mount available up to 10'—Specify Length.



Pendant Mount with
Stainless Steel Cable
(PENDC)



Cable Suspension
(PENDC)



45° Hang Straight Swivel
Pendant Mount
(PEND-ST)



Static Canopy
(STC)