

Lewis

Indoor/Outdoor Drum Fixture Ceiling or Wall Family—Wet Location

We reserve the right to revise the design or components of any product without notice.

CATALOG #		TYPE
PROJECT/LOCATION		
APPROVED BY		

SPECIFICATIONS

- APPLICATIONS — Assisted Living, Eaves, Dorm Rooms, Eaves, Hallways, Hospitals, Hotel Rooms, Outdoor Breezeways, Stairwells, Vestibules.
- DRIVER — UL Recognized, Class 2 Rated Universal Voltage, 120 thru 277 volt, 50/60Hz Power Factor \geq 0.90, Maximum 0.4A in.
- DIMMING — Two wire terminations provided for 0-10V dimmers.
OPTIONAL: Compatible with two wire resistance and PWM dimming.
- EMERGENCY — Optional surface mounted emergency battery packs available for indoor use only, or integral 20 watt emergency for indoor/outdoor applications. CONSULT FACTORY for specifications.
- FINISH — Ivory White, Bronze.
- HARDWARE INCLUDED — One trade size universal junction box strap with threaded nipple with ground wire. Also supplied four plastic anchors for four point mounting option. Torx Center Pin Reject, Tamper Proof Screws supplied for secure lockup.
- HOUSING — Injection molded ABS plastic housing with hinged lens frame. Housing incorporates concealed lens gasketing that protects from environmental contaminants.
- LED — (Small 13") 96 Mid-Power LED Array, CCT: 4000K, 1869 Delivered Lumens
(Large 17") 144 Mid-Power LED Array, CCT: 4000K, 2633 Delivered Lumens.
- LENS — Low Profile, injection molded, opal polycarbonate lens, provides evenly diffused light.
- MOUNTING — Can be surface ceiling or surface wall mounted via supplied junction box strap with threaded nipple. Also supplied with optional four point mounting. Optional pendant mount also available with standard 12" stem length.
- OPTIONS — Optional Motion Sensors available.
- COMPLIANCE — Built to comply with U.S. and Canadian Safety Standards. Suitable for indoor damp and outdoor wet location installations. Complies with Buy American Act. ETL Listed IP65.



ORDERING INFO

Series	Size	LED Wattage	CCT	Voltage	Finish	Options

SERIES

LW = Lewis Series

SIZE

- S = Small (13" Diameter)
- L = Large (17" Diameter)

LED Wattage

Refer to Below Chart for Size / Wattage Compatibility
LED(xx) = LED (xx = Wattage, ex: LED20)

LED COLOR TEMPERATURE (CCT)

- 3K = \pm 3000K range
- 4K = \pm 4000K range
- 5K = \pm 5000K range

VOLTAGE

UNV = Universal Voltage (120-277v) Driver

FINISH

- BZ = Bronze Finish
- WH = White Finish — STANDARD

MOUNTING OPTIONS

- PEND = Pendant Mount (12" Stem)
— For Custom Stem Specify Length
— Includes Canopy Swivel Kit (45°)

DIMMING OPTIONS

- Note: 0-10V 100%-30% is Standard
- D7A = 0-10VDC LED Dimming Driver (100-10%)
- D7B = 0-10VDC LED Dimming Driver (100-1%)

CONTROL OPTIONS

- Note: See Accessory Options for Required Remote Controller
- OCC = Occupancy Sensing | Motion Sensor Integral[Ⓜ]
— Microwave / Single Feed / 120/277V Only
— Standby Dim Level Presets: ON/OFF (0%/100%)
- BLD = Bi-Level Dimming | Motion Sensor Integral[Ⓜ]
— Microwave / Single Feed / 120/277V Only
— Standby Dim Level Presets:
10% / 20% / 30% (Standard) / 50%

MISC OPTIONS

- FUS = Single Fusing

EMERGENCY / BATTERY OPTIONS^{ⓂⓂⓂ}

No onsite Emergency Power (AC or DC) is provided

Meets California Energy Commission Title 20:
(CEC-400-2014-009-CMF) Efficiency Standards

- EL4W = Integral LED 4 Watt
- EL8W = Integral LED 8 Watt
- EL16W = Integral LED 16 Watt

- REL4W = Remote LED 4 Watt
- REL8W = Remote LED 8 Watt
- REL16W = Remote LED 16 Watt
- REL20W = Remote LED 20 Watt

Cold Weather Emergency Batteries:

Operating Temp: -20°C thru 50°C / NON-CEC Compliant

- REL10W-CW = Remote LED 10 Watt (Cold Weather)
- REL23W-CW = Remote LED 23 Watt (Cold Weather)

ACCESSORY OPTIONS (order as a separate line)

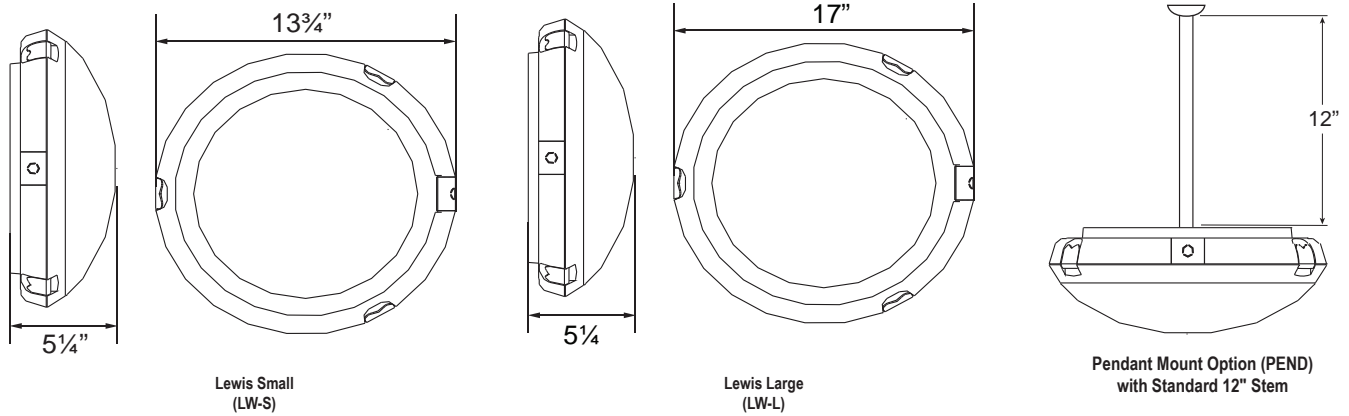
- REMT = Remote Controller for Sensor Options

NOTES:

- [Ⓜ] Consult Factory for additional Emergency options not shown
- ^{ⓂⓂ} Max mounting height of fixture is 18' (18 feet)
- ^{ⓂⓂⓂ} Max WHIP length of the REL is 8 feet.
- ^{ⓂⓂⓂ} Final selection of the Battery Pack under discretion of Factory

Fixture Size		Lewis Small (LW-S)	Lewis Large (LW-L)
Dimensions - Diameter x Depth		13 3/4" Diameter x 5 1/4" Depth	17" Diameter x 5 1/4" Depth
Light Emitting Diode	LED	20W	30W

DIMENSIONS



SIZE/FINISH/MOUNTING OPTIONS



**Ceiling Mount
Lewis Large (LW-L)
Bronze Finish (BZ)**



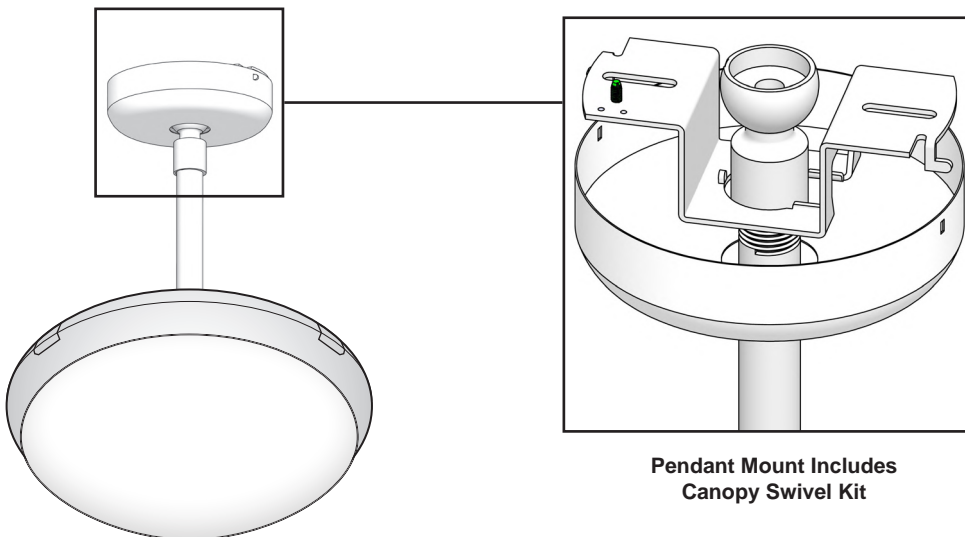
**Ceiling Mount
Lewis Small (LW-S)
White Finish (WH)**



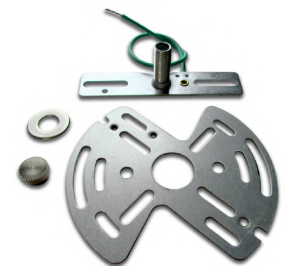
**Wall Mount
Lewis Small (LW-S)
White Finish (WH)**

PENDANT CANOPY SWIVEL KIT

SUPPLIED HARDWARE



**Pendant Mount Includes
Canopy Swivel Kit**



Supplied Mounting Hardware (Fig. A)
One trade size universal junction box strap with threaded nipple with ground wire



Supplied Mounting Hardware (Fig. B)
Four plastic anchors for four point mounting option. Torx Center Pin Reject, Tamper Proof Screws supplied for secure lockup.