

CMD/CMM/CMS

Indoor/Outdoor Drum Fixture Ceiling or Wall Family—Damp Location Shallow is ADA Compliant

We reserve the right to revise the design or components of any product without notice.

CATALOG #		TYPE
PROJECT/LOCATION		
APPROVED BY		

SPECIFICATIONS

- DRIVER — Universal Voltage 120/277v Electronic Driver is standard for LED.
- DIFFUSER — Opal Acrylic Standard. Optional Polycarbonate.
- EMERGENCY — Remote or Integral Emergency Battery (Medium and Large only).
- FINISH — White Polyurethane Finish. Consult Factory for custom finish.
- HARDWARE INCLUDED — (1) J Boxstrap, (1) Nipple, (1) Cap Nut.
- LIGHT ENGINE — Energy Efficient Light Emitting Diode (LED).
- MOUNTING — Center Access Hole For Mounting To A "J" Box.
- PAN — White Polyurethane Finished.
- PENDANT — Standard Pendant Model Aircraft Cable Suspension with white power cord and ceiling canopy. 1/2" conduit size entrance holes. 12" Overall Height (OH) is Standard. Specify stem (ST) or Optional cord (CD).
- SCREWS — Brass Thumb Screw.
- COMPLIANCE — Built to comply with U.S. and Canadian safety standards. Suitable for damp locations. (Covered Ceiling Only).



Ceiling Mount Drum (CMD)



Ceiling Mount Shallow (CMS)
Shown as Wall Mount

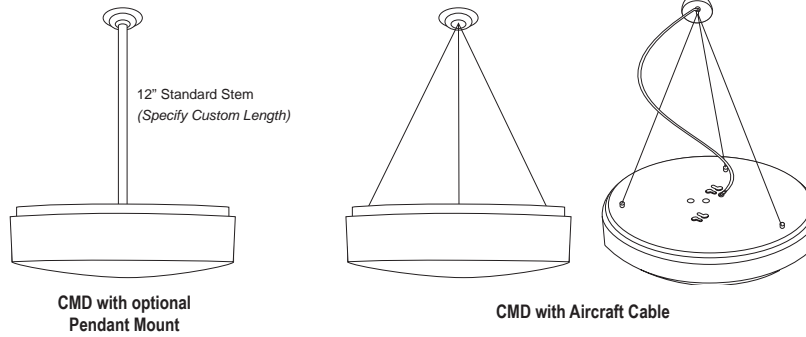


Ceiling Mount Mushroom (CMM)

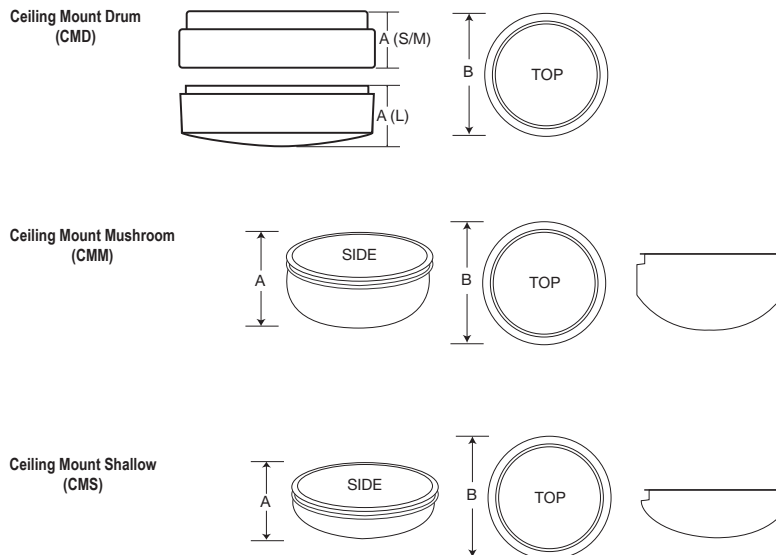


ARRA
Compliant

OPTIONS



DIMENSIONS



CMD/CMM/CMS

Indoor/Outdoor Drum Fixture

Ceiling or Wall Family—Damp Location

Shallow is ADA Compliant

		LAMP TYPE/QTY/WATTAGE ¹								
		Visit www.eclipselightinginc.com for available IES files								
Fixture		Small			Medium			Large		
		CMD-S	CMM-S	CMS-S	CMD-M	CMM-M	CMS-M	CMD-L	CMM-L	CMS-L
Dimensions - Dia. (B) x Depth (A)		11"dia x 3"	12"dia x 4¼"	11½"dia x 2¾"	14"dia x 3"	14⅞"dia x 4¼"	14½"dia x 2¾"	19"dia x 5"	18⅞"dia x 4¼"	19½"dia x 2¾"
Light Emitting Diode	LED	15w			15/25w			30w		
		(values are based on nominal system Watts) *Consult Factory for CFL Lamping								

ORDERING GUIDE: Series Size Lamp/Wattage Color Temp Voltage Finish Options

SERIES

CMD = Ceiling Mount Drum Series
CMM = Ceiling Mount Mushroom Series
CMS = Ceiling Mount Shallow Series (ADA)

SIZE

S = Small (±11" Diameter)
M = Medium (±14" Diameter)
L = Large (±19" Diameter)

LAMP TYPE/QUANTITY/WATTAGE

Refer to Above Chart
LED LUMENS — Up to 170 LPW Initial

LED COLOR TEMPERATURE

3K = ±3000K range
4K = ±4000K range
5K = ±5000K range

VOLTAGE

120 = 120 Volts
277 = 277 Volts
347 = 347 Volts (Consult Factory)
EBU = Universal Voltage (120-277v)
—not available for CMS
2EBU = Two 120/277v Electronic Drivers

FINISH

WH = White Finish Standard

OPTIONS

FUS = Single GLR Fuse and Fuse Holder
DFUS = Double Fusing and Holder
GTD = Generator Transfer Device (Bodine)
PC = Polycarbonate Diffuser
PENDC = Pendant with Aircraft Cable Suspension²
PEND-ST = Stem optional on Pendant — 12" Standard,
—Specify Overall Height (OH)
—Specify Canopy: Static (STC) / Swivel (SWC)
TP = Tamperproof Screws

DIMMING OPTIONS

D7 = 0-10V low-voltage LED Dimming
100-30% Std, Consult Factory for Other
D8 = LED Dimming: Forward Phase/Leading Edge (Triac)
—Consult Factory
D9 = LED Reverse Phase/Trailing Edge ELV
—Consult Factory
D11 = DALI LED Dimming Driver - Consult Factory
D12 = Lutron Dimming Driver - Consult Factory

EMERGENCY OPTIONS³⁻⁵

No onsite Emergency Power (AC or DC) is provided
Specify Fixture Voltage: 120V or 277V Power Feed
A=120V or B=277V

Meets California Energy Commission Title 20:
(CEC-400-2014-009-CMF) Efficiency Standards

REL4W = Remote LED 4 Watt
REL8W = Remote LED 8 Watt
REL16W = Remote LED 16 Watt
REL20W = Remote LED 20 Watt

Cold Weather Emergency Batteries:
Operating Temp: -20°C thru 50°C
NON-CEC Compliant

REL10W-CW = Remote LED 10 Watt (Cold Weather)
REL23W-CW = Remote LED 23 Watt (Cold Weather)

NOTES:

- ¹ Consult Factory with requests regarding lamp sources, wattages or voltages not shown.
- ² Consult Factory for additional Emergency Battery options not show.
- ³ Aircraft cable for Pendant Mount available up to 10'. Specify Length.
- ⁵ Due to form and fit, final selection of the Battery Pack under discretion of Factory