

# Aileron

**Dual Window Wall Sconce**  
**Selectable Wattage / CCT**  
**Indoor Use / Damp Location**

We reserve the right to revise the design or components of any product without notice.

CATALOG #		TYPE
PROJECT/LOCATION		
APPROVED BY		

## SPECIFICATIONS

- DRIVER — Universal Voltage 120/277v Electronic Driver with 0-10V dimming (dim to 10%).  
High Power Factor (>0.9) / Low THD (<20%).
- DIFFUSER — Ultra-thin semi-transparent PMMA lens.
- HOUSING — Extruded aluminum frame, die cast aluminum end cap.
- FINISH — Powder coat finish.
- LIGHT ENGINE — Energy Efficient LED with Selectable Wattage / CCT. >50,000hr Lifetime.
- OPERATING TEMP — -20° to +40°C (-4°F to 104°F).
- COMPLIANCE — Built to comply with U.S. and Canadian safety standards.  
UL/cUL Listed (Pending). Indoor use only, suitable for Damp Locations.
- WARRANTY — 5-Year Limited Warranty..



## ORDERING INFO

Series	Size	Wattage	CCT	Voltage	Finish	Options

### ORDERING GUIDE:

#### SERIES

AN = Aileron Series

#### SIZE

S = 9.4" Width x 16" Height x 2" Depth  
M = 9.4" Width x 32" Height x 2" Depth

#### WATTAGE

Note: Refer to Below Chart for Wattage / Lumen Output  
SLED = Selectable LED Wattage

#### COLOR TEMPERATURE (CCT)

SCCT = Selectable CCT: 3000K | 3500K | 4000K

#### VOLTAGE

UNV = Universal Voltage (120-277V) Electronic Driver

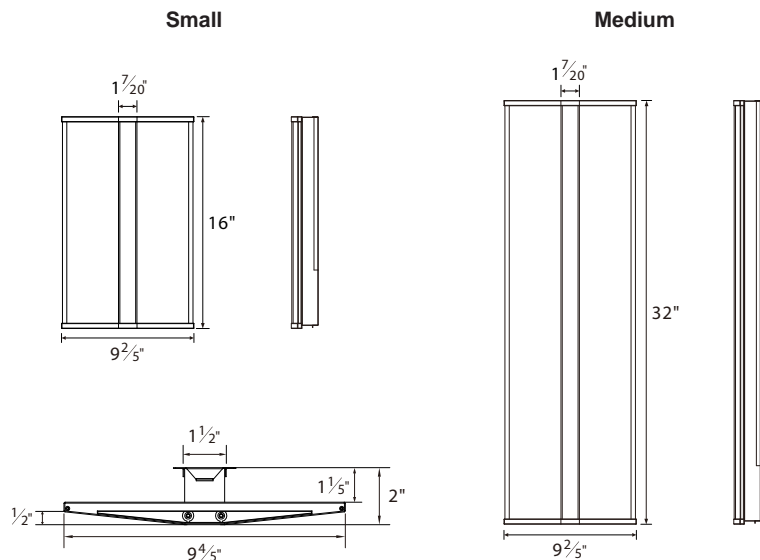
#### FINISH

WH = White Finish

#### EMERGENCY BATTERY OPTIONS

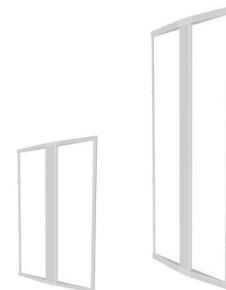
EL8W = 8 Watt Emergency Battery  
— 704 Lumens (88lm/W)  
— 120 Minute Operational Time

## DIMENSIONS/WATTAGES



SELECTABLE LED WATTAGES / LUMEN OUTPUT			
SIZE	100%	75%	50%
<b>Small</b>	20W (1750LM)	15W (1300LM)	10W (850LM)
<b>Medium</b>	40W (3500LM)	30W (2650LM)	20W (1750LM)

NOTE: Lumen Output is based on 3000K CCT with a variance of +/-5%.



# Aileron

*Dual Window Wall Sconce*

*Selectable Wattage / CCT*

*Indoor Use / Damp Location*

We reserve the right to revise the design or components of any product without notice.

CATALOG #		TYPE
PROJECT/LOCATION		
APPROVED BY		

## PHOTOMETRIC DATA

Summary of Results   AN-S-LED20-3K-UNV					
Lumen Output	Efficacy	Input Power	CCT	Beam Angle	BUG Rating
1732.43 Lumens	86.9 Lm/W	19.94W	3000K	360°	N/A

Zonal Lumen Summary	
Zone	Lumens
0-30	98.37
0-40	195.4
0-60	448.0
60-90	411.6
70-100	411.1
90-120	687.6
0-90	859.6
90-180	872.4
0-180	1732.43

