

Zurich

**Small Basic Vandal Resistant
Ceiling or Wall Mount
Surface Mount Shallow / Vandal Resistant LED**

ARRA
Compliant

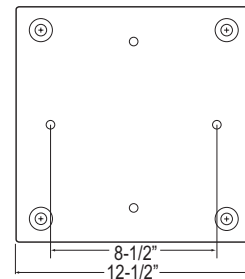
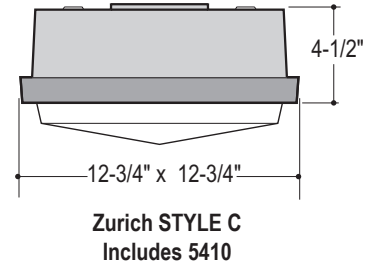
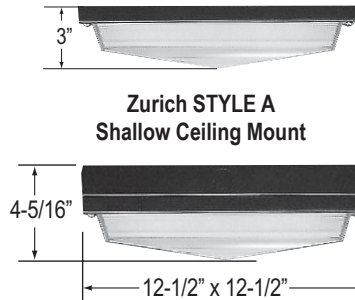
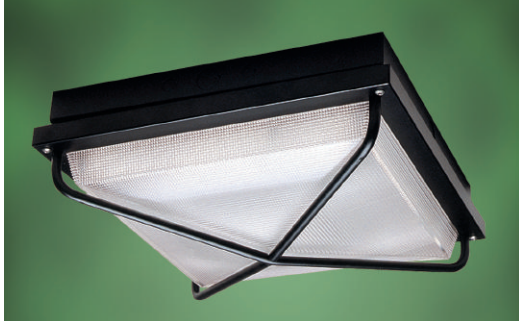


We reserve the right to revise the design or components of any product without notice.

CATALOG #		TYPE
PROJECT/LOCATION		
APPROVED BY		

SPECIFICATIONS

- BACKPLATE — Heavy gauge aluminum.
- DRIVER — Universal Voltage 120/277v Electronic Driver is standard for LED.
- EMERGENCY — LED — Remote. Backbox (2422D or 5410) is required with Integral Emergency Battery.
- FINISH — Extremely durable five stage oven baked Polyester Powder coat—Color as req'd.
- LENS — UV stabilized .125 thick clear prismatic polycarbonate—Drop Pyramidal.
- GASKETING — One Piece Die Cut 3/16" Thick Black EPDM and/or neoprene rubber.
- FASTENERS — Stainless steel tamperproof screws --(4) To secure lens in place.
- LIGHT ENGINE — Energy Efficient Light Emitting Diode.
- MOUNTING HOLES — (4) 5/16" Diameter Holes for 1/4" Diameter Bolts.
- COMPLIANCE — Built to comply with U.S. and Canadian safety standards. Suitable for wet locations (requires 4-Point mounting).



LAMP TYPE/QTY/WATTAGE ¹			
Visit www.eclipselightinginc.com for available IES files			
Fixture	ZURICH A	ZURICH B	ZURICH C
Dimensions - W x H x D (nominal)	12 1/2" x 12 1/2" x 3"	12 1/2" x 12 1/2" x 4-5/16"	12 1/2" x 12 1/2" x 7-1/4"
Light Emitting Diode	LED	20w	20/30/40w

Series	Style	Lamp/Wattage	Color	Voltage	Finish	Options
<input type="text"/>	<input type="text"/>	<input type="text"/>	<input type="text"/>	<input type="text"/>	<input type="text"/>	<input type="text"/>

SERIES

ZU = Zurich Series Shallow Surface Mount

STYLE

- A = Shallow Ceiling Mount**
- B = Surface Mount, Includes 2422**
(2" deep aluminum Backbox)
- C = Surface Mount, Includes 5410**
(4-1/2" deep cast aluminum Backbox)
- D = Surface Mount, Includes 2422D**
(2-1/2" deep aluminum Backbox)

LAMP TYPE/QUANTITY/WATTAGE

Refer to Above Chart

LED COLOR TEMPERATURE

- 3K** = ±3000K range
- 4K** = ±4000K range
- 5K** = ±5000K range
- 65K** = ±6500K range

VOLTAGE

- 120** = 120 Volts
- 277** = 277 Volts
- 347** = 347 Volts
- EBU** = Universal Volt (120-277v)

FINISH

- BK** = Black Finish
- BZ** = Bronze Finish
- CC** = Custom Color Finish (consult factory)
- PNA** = Painted Natural Aluminum
- WH** = White Finish

OPTIONS

- 9002** = Torx Tamperproof Screwdriver
- 9328** = Universal Photocell—120/277V²
- FUS** = Single Fusing
- DFUS** = Double Fusing
- GTD** = Generator Transfer Device (Bodine)
- LDG** = Less Decorative Guard—becomes Quest 1
— See High Abuse Wall/Ceiling Series
- SR** = Semi Recessed Adapter²

LED OPTIONS

- BL1** = Bi-Level Light (High/Low)
— Single AC Input Feed, with Switch Sensor (Required)
- BL2** = Bi-Level Light (High/Low)
— Wired for Dual AC Input Feeds
- D7** = 0-10V low-voltage dimming (100-30% Standard,
Consult Factory for Other)
- MSE** = Motion Sensor External—Single circuit-all on, all off
Specify Finish: White (WH) or Bronze (BZ)
- MSE2** = Motion Sensor External—Dual circuit, half on half off
Specify Finish: White (WH) or Bronze (BZ)
- MS11** = Motion Sensor Integral² (Microwave)
—Single Circuit: OFF / ALL-ON
- MS12** = Motion Sensor Integral² (Microwave)
—Single Circuit: HALF-ON / ALL-ON
- SG** = 10KA Surge Protection for LED fixtures
Req's 2422 or 5410, (meets ANSI spec C62.41.2)

EMERGENCY BATTERY OPTIONS^{3,5}

No onsite Emergency Power (AC or DC) is provided
Specify Fixture Voltage: 120V or 277V Power Feed
A=120V or B=277V

LED Emergency Battery⁶⁰

Factory Recommended

- REL82** = LED 4 Watt (Remote)
- REL85** = LED 20 Watt (Remote)
- REL88** = LED 16 Watt (Remote)

Premium (Bodine/Iota)

- REL61** = LED 12 Watt (Remote)
- REL63** = LED 23 Watt (Remote)
- REL67** = LED 23 Watt Cold Weather (Remote)

NOTES:

- Consult Factory with requests regarding lamp sources, including LED, color temp., wattages or voltages not shown.
- Backbox Required: For SR option 5410 Req'd; Backbox included with Integral Emergency Battery (EL)
- Consult Factory for additional Emergency Battery options.
- Max mounting height of fixture is 10 feet
- Max WHIP length with the REL provided by the factory is 8 feet.
- Due to form and fit, final selection of the Battery Pack under discretion of Factory