

Venice/Zagreb Series



We reserve the right to revise the design or components of any product without notice.

Catalog Number	
Project/Location	Type
Approved By	

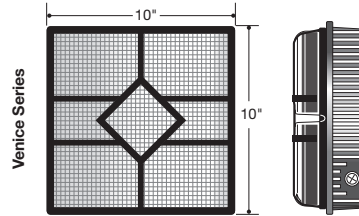
Vandal Resistant fixture
Surface Mount Shallow Mini-Fluorescent or HID

SPECIFICATIONS

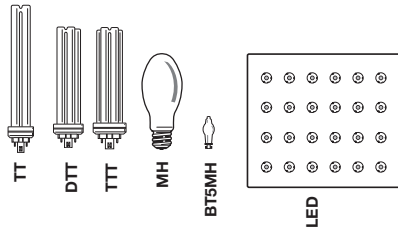
- REFLECTOR— .032 aluminum For High Efficiency
- BALLAST— For TT or DTT Fluorescent Electronic (EB) cold weather 0° is Standard. For HID HPF is Standard.
- DIFFUSER— Prismatic POLYCARBONATE Standard with Painted Decorative Design. Shallow ADA Diffuser is STANDARD. Optional Deep Diffuser (DD).
- FASTENERS— (4) Stainless steel tamperproof Torx screws to secure lens to backplate
- FINISH— Extremely durable five stage oven baked Polyester Powder coat -- Color as req'd
- GASKETING— One Piece Die Cut 3/16" Thick Black EPDM and/or neoprene rubber
- HOUSING— Cast aluminum. Specify SC (Shallow Cast) or D (Deep Cast) after Series designator. Optional non-corrosive injection-molded polycarbonate.
- LAMPS— Compact Fluorescent: DTT Double Twin Tube, TTT Triple Twin Tube; DD only: HID MH Metal Halide As Required - By Others.
- MOUNTING HOLES— (4) 5/16" Diameter Holes for 1/4" Diameter Bolts
- UL/ULC— UL/ULC Listed to U.S. and Canadian safety standards - Suitable for wet locations (requires 4-Point mounting)



Zagreb Series: Prismatic Polycarb Lens is Standard

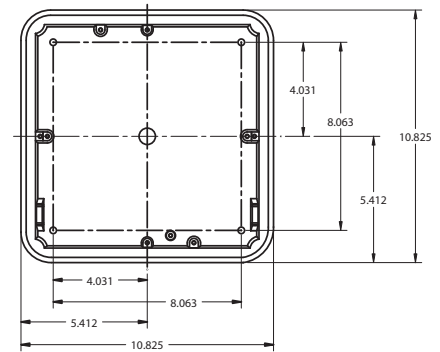
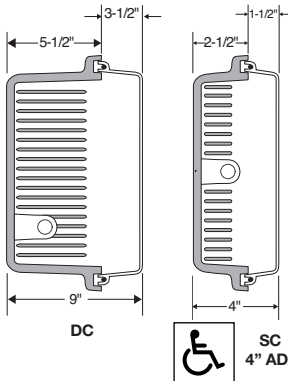


Venice Series: Shallow Cast with Deep Diffuser (DD)



Lamp Size	SC	D
Dimensions - W x H x D	10" x 10" x 4" (ADA)	10" x 10" x 9"
Fluorescent TT	Consult Factory	
Fluorescent DTT	(1 or 2)13/18/26w	(1 or 2)13/18/26w
Fluorescent TTT	(1 or 2)32w	(1 or 2)32w; (1)42/57/70w
Metal Halide	50w (no EB; DD req'd)	50/70w (no EB; DD req'd)
BT5 Metal Halide	20w	20w
LED	N/A	Consult Factory

** Lamping system is WARRANTED by Osram and Philips for 40,000 HOURS.
* means Backbox Required.



Mounting Dimensions

Catalog Number Ordering Guide

Example: **ZG-SC**

TTT (2)32

120

EB

BK

- SERIES**
- ZG-D = Zagreb Deep Casting Series
 - ZG-SC = Zagreb Shallow Casting Series
 - VE-D = Venice Deep Casting Series
 - VE-SC = Venice Shallow Casting Series
- LAMP TYPE**
- DTT = Double Twin Tube Compact-Fluorescent
 - TTT = Triple Twin Tube Compact-Fluorescent
 - MH = Metal Halide [Deep Diffuser (DD) required]
 - BT5MH = BT5 Metal Halide
- LAMP QUANTITY/WATTAGE**
Refer to Above Chart

- VOLTAGE**
- 120 = 120 Volts
 - 277 = 277 Volts
 - 347 = 347 Volts
 - EBU = High Temp Universal Volt (120-277v) Electronic Ballast Programmable Start for CFL
- POWER FACTOR**
- EB = Electronic Ballast (CFL only)
 - HPF = High Power Factor for HID

- OPTIONS**
- 9002 = Torx Tamperproof Screwdriver
 - 9206 = Photocell - 120V
 - 9221 = Photocell - 277V
 - BB = Aluminum Surface Conduit Box
 - DD = 4" Deep Diffuser (for HID) — Removes ADA Status
 - EL = Any Emergency Battery (EL, ELH, EL-CW, REL) for CFL: See EL Chart immediately after Architectural/Euro Tab
 - FUS = Single Fusing
 - DFUS = Double Fusing
 - OPL = Opal Polycarbonate Lens
 - PS = Pulse Start (standard on MH 50w thru 150w)
 - SR = Semi Recessed
 - BK = Black Finish
 - BZ = Bronze Finish
 - PNA = Painted Natural Aluminum
 - SGR = Silver Gray Finish
 - WH = White Finish



9245 W. Ivanhoe St. | Schiller Park, IL 60176 | p: (847) 260-0333 | f: (847) 260-0344
www.eclipselightinginc.com | quotes@eclipselightinginc.com

© 2008 Eclipse Lighting Inc.
All Rights Reserved - Designs Protected by Copyright

Rev. 12/08 | AS-30