

# Troy 4X

## WALL MOUNT CYLINDER

Selectable LED Wattage / CCT

Selectable Light Distribution / Light Direction

We reserve the right to revise the design or components of any product without notice.

CATALOG #		TYPE
PROJECT/LOCATION		
APPROVED BY		

### SPECIFICATIONS

- DRIVER — Universal Voltage 120/277V Electronic Driver with 0-10V dimming.
- FINISH — Durable polyester powdercoat finish applied over pre-treated surfaces.
- HOUSING — Heavy gauge aluminum cylinder fully sealed against external contaminants.
- LIGHT ENGINE — Energy efficient LED is standard. Selectable Wattage and CCT(80CRI) can be adjusted via switches located on the side of the fixture
- LIGHT DISTRIBUTION — Light distribution (Narrow Beam 25° / Wide Beam 75°) and Light Direction (Up/Full/Down) can be adjusted via switch located on the side of the fixture.
- LENS — Clear Tempered Glass.
- MOUNTING — Wall Mount featuring Arm.
- OPERATIONAL LIFETIME — 50,000 Hours
- OPERATIONAL TEMP RANGE — -40°C to 40°C | -40°F to 122°F
- PHOTOCELL — Standard Photocell. Can be disabled with included cover cap.
- COMPLIANCE — Built to comply with U.S. and Canadian Safety Standards.  
cUL/UL Listed for Wet Locations.
- WARRANTY — 5-Year Limited Warranty.



Size 12



Size 10



### ORDERING INFO

Series	Size	Wattage	CCT	Voltage	Finish	Options

### ORDERING GUIDE:

#### SERIES

TY4X = Troy 4X Series

#### SIZE

10 = 9.84" Tall x 6.12" Diameter x 8.66" Depth  
12 = 11.81" Tall x 4.62" Diameter x 7.09" Depth

#### WATTAGE

Note: See chart below for Wattage / Lumen Output.

SLED = \*Selectable LED Wattage  
— 10" Size: 19W | 31W | 38W  
— 12" Size: 10W | 16W | 20W

#### COLOR TEMPERATURE (CCT)

SCCT = \*Selectable CCT: 3000K | 4000K | 5000K

\*Note: Fixtures will ship from factory at lowest wattage and warmest CCT. It is the installer's responsibility to set the fixture at the desired wattage and CCT for their project.

#### VOLTAGE

UNV = Universal Volt (120-277v) Driver

#### STANDARD FINISH

BZ = Bronze Finish  
BK = Black Finish  
WH = White Finish

Wattage Setting	Low	Medium	High
Troy 4X 10"	19W (2280 Lumens)	31W (3720 Lumens)	38W (4560 Lumens)
Troy 4X 12"	10W (1200 Lumens)	16W (1920 Lumens)	20W (2400 Lumens)

### SELECTABLE LIGHT DISTRIBUTION SETTINGS



**Distribution Setting 1**  
Uplight Narrow Beam (25°)  
Downlight Narrow Beam (25°)  
(Default Setting)



**Distribution Setting 2**  
Uplight Narrow Beam (25°)  
Downlight Wide Beam (75°)



**Distribution Setting 3**  
Uplight Wide Beam (75°)  
Downlight Narrow Beam (25°)



**Distribution Setting 4**  
Uplight Wide Beam (75°)  
Downlight Wide Beam (75°)

# Troy 4X

## WALL MOUNT CYLINDER

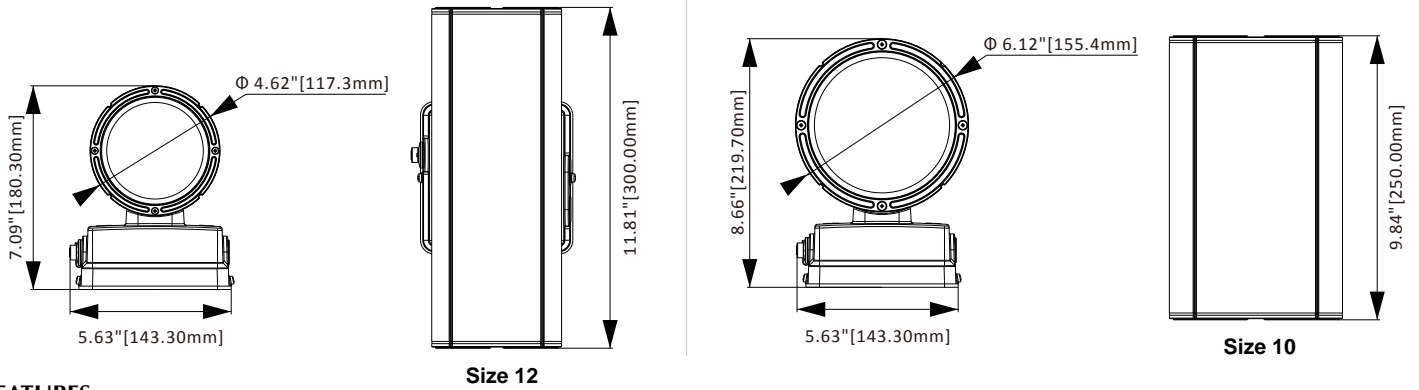
Selectable LED Wattage / CCT

Selectable Light Distribution / Light Direction

We reserve the right to revise the design or components of any product without notice.

CATALOG #		TYPE
PROJECT/LOCATION		
APPROVED BY		

### DIMENSIONS



### FEATURES



#### Selectable CCT Settings

3000K | 4000K | 5000K

#### Selectable Light Distribution Switch

Switch	Distribution Selection	Default Setting
1	Uplight Narrow (25°) & Downlight Narrow (25°)	Switch 1
2	Uplight Narrow (25°) + Downlight Wide (75°)	
3	Uplight Wide (75°) + Downlight Narrow (25°)	
4	Uplight Wide (75°) + Downlight Wide (75°)	

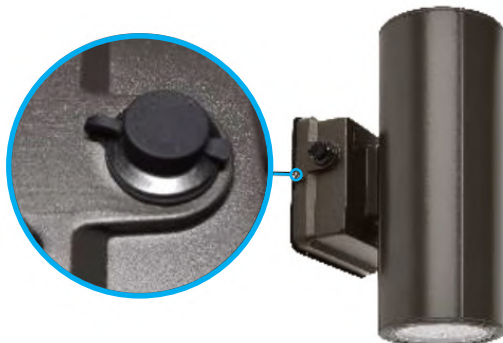
#### Selectable Wattage Switch

Model Size	Selectable Power Setting (L1/L2/L3)	Default Setting
Size 10	38W(L1)   31W(L2)   19W(L3)	38W(L1) Default
Size 12	20W(L1)   16W(L2)   10W(L3)	20W(L1) Default

#### Selectable Light Direction Switch

Up	Uplight Only	Full (Uplight and Downlight) is the default setting. <i>Note: When Uplight Only or Downlight Only is selected, the wattage is halved.</i>
Full	Uplight and Downlight	
Down	Downlight Only	

### PHOTOCELL



Photocell can be enabled or disabled by removing or placing on the included cover cap.

### PHOTOMETRY

