

# Troy 4

## WALL MOUNT CYLINDER

Selectable LED Wattage/CCT | Built-in Photocell  
Adjustable Uplight/Downlight and Beam Angle

We reserve the right to revise the design or components of any product without notice.

CATALOG #		TYPE
PROJECT/LOCATION		
APPROVED BY		

### SPECIFICATIONS

- DRIVER — Universal Voltage 120/277V Electronic Driver.
- FINISH — Durable powdercoat finish applied over pre-treated surfaces.
- HOUSING — Open heavy gauge aluminum cylinder.
- LIGHT ENGINE — Energy efficient LED is standard. Selectable wattage/CCT can be adjusted via switches on the side of the fixture.
- LIGHT DIRECTION / BEAM ANGLE — Small Model: 25° to 65° / Medium Model: 40° to 80°. Beam Angle and Light Direction (Up/Full/Down) can be adjusted via dial switches on the side of the fixture.
- LENS — Clear Tempered Glass.
- MOUNTING — Wall Mount featuring Arm.
- PHOTOCELL — Built-in Photocell. Can be turned On/Off via switch on the side of the fixture.
- COMPLIANCE — Built to comply with U.S. and Canadian Safety Standards.
- WARRANTY — 5-Year Limited Warranty.



### ORDERING INFO

Series	Size	Wattage	CCT	Voltage	Finish	Options

#### ORDERING GUIDE:

#### SERIES

TY4 = Troy 4 Series

#### SIZE

S = Small: 3.27" Diameter x 6.61" Height x 5.29" Depth  
M = Medium: 5.31" Diameter x 8.46" Height x 7.46" Depth

#### WATTAGE

SLED = \*Selectable LED Wattage  
— Small Wattages: 10W | 15W | 20W  
— Medium Wattages: 20W | 30W | 40W

#### COLOR TEMPERATURE (CCT)

SCCT = \*Selectable CCT: 2700K | 3000K | 3500K | 4000K | 5000K

\*Note: Fixtures will ship from factory at lowest wattage and warmest CCT. It is the installer's responsibility to set the fixture at the desired wattage and CCT for their project.

#### VOLTAGE

UNV = Universal Volt (120-277v) Driver

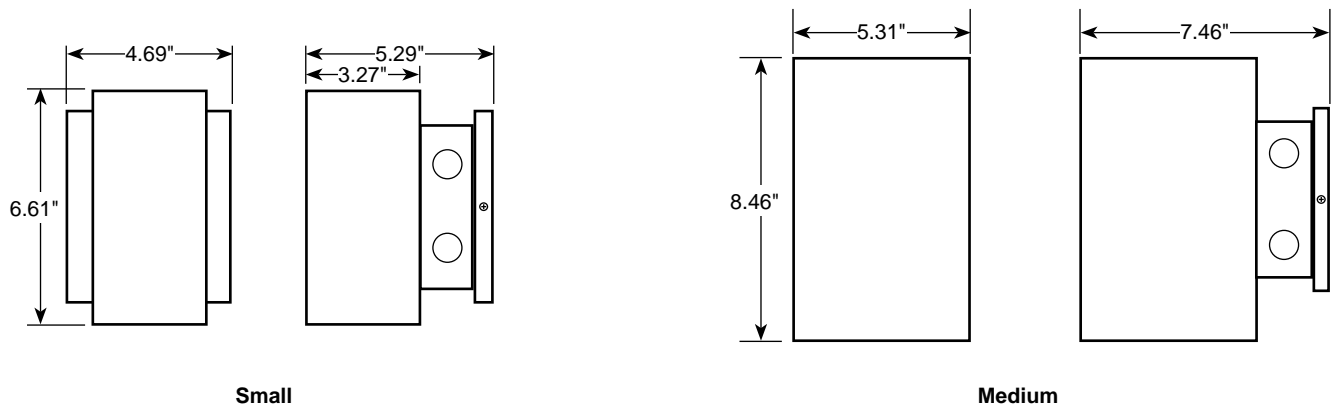
#### STANDARD FINISH

BK = Black Finish

#### Selectable LED Wattage / Lumen Output

Size Model	Low Power	Medium Power	High Power
Small	10 Watt (890 Lumens)	15 Watt (1560 Lumens)	20 Watt (2080 Lumens)
Medium	20 Watt (1780 Lumens)	30 Watt (3120 Lumens)	40 Watt (4160 Lumens)

### DIMENSIONS



# Troy 4

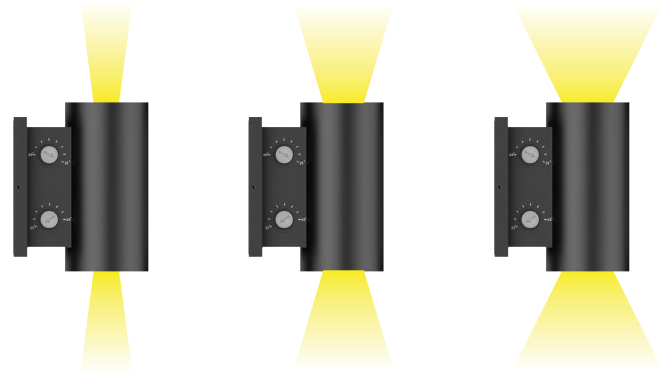
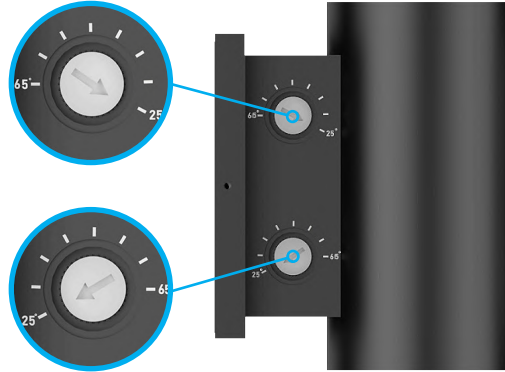
## WALL MOUNT CYLINDER

Selectable LED Wattage/CCT | Built-in Photocell  
Adjustable Uplight/Downlight and Beam Angle

We reserve the right to revise the design or components of any product without notice.

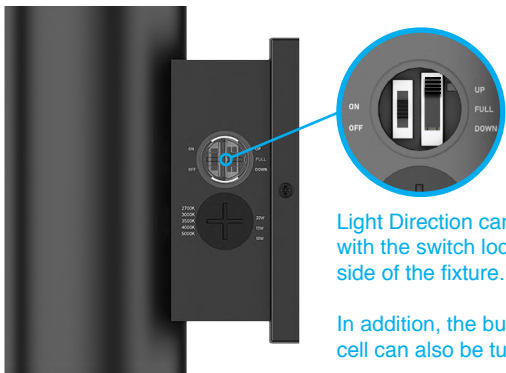
CATALOG #		TYPE
PROJECT/LOCATION		
APPROVED BY		

### ADJUSTABLE BEAM ANGLE



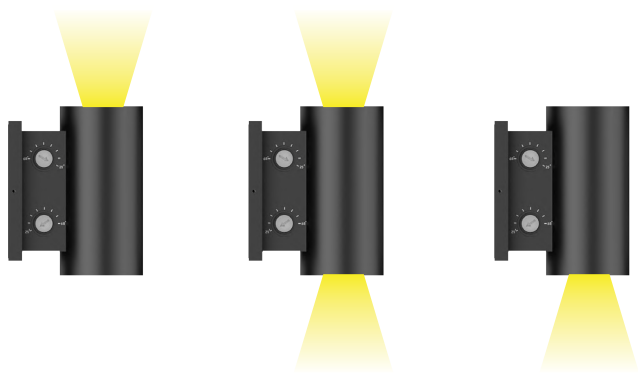
Beam angle can be adjusted with the dial switches located on the side of the fixture. Each beam angle for the uplight or downlight can be independently adjusted.

### ADJUSTABLE LIGHT DIRECTION / PHOTOCELL

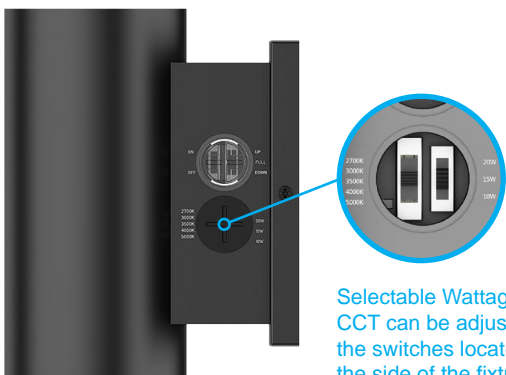


Light Direction can be adjusted with the switch located on the side of the fixture.

In addition, the built-in Photocell can also be turned On/Off.



### SELECTABLE WATTAGE/CCT



Selectable Wattage and CCT can be adjusted with the switches located on the side of the fixture.



2700K

3000K

3500K

4000K

5000K