

# Troy 3

## NARROW WALL MOUNT CYLINDER

Switchable Up/Down Light or Down Light Only

Indoor/Outdoor

We reserve the right to revise the design or components of any product without notice.

CATALOG #		TYPE
PROJECT/LOCATION		
APPROVED BY		

### SPECIFICATIONS

- APPLICATIONS — Assisted Living, Breezeway, Egress, Hospitality, Natatoriums, Public Pools, Residential Single/Multi-Unit Apartment Complexes, Retail, Schools, Security, Stairwells, Strip Centers.
- COLOR RENDERING INDEX —  $\geq 80$ .
- DRIVER — 120AC Voltage (50/60Hz).
- EFFICACY — 82lm/W (2,446 to 2,509 nominal lumens).
- FINISH — Durable Powder Coat Bronze (BZ) finish applied over pre-treated surfaces.
- HOUSING — Open heavy gauge aluminum cylinder.
- LIGHT ENGINE — Energy Efficient LED is standard. Built-in internal switch allows user to choose between Up/Down Light or Down Light Only (Dark Sky Compliant).
- LENS — Clear Tempered Glass.
- LIFETIME — 50,000hrs with at least 70% of initial lumen output (L70).
- MOUNTING — Wall Mount featuring Arm.
- POWER FACTOR —  $\geq 0.90$
- COMPLIANCE — Built to comply with U.S. and Canadian Safety Standards. Complies with FCC Part 15, Class B. Complies with EN61000-4-5, surge immunity protection (1kV). RoHS Compliant. Suitable for Wet Locations.
- WARRANTY — 5-Year Limited Warranty.



Shown with Optional Blue Lens Filter and PNA Finish



### ORDERING INFO

Series	Wattage	CCT	Voltage	Finish	Options
ORDERING GUIDE:					

#### SERIES

TY3 = Troy 3 Series

#### WATTAGE

Note: Built-in Internal Switch for Up/Down Light or Down Light Only

UP15/DN15 = Up Light 15 Watt and Down Light 15 Watt  
— NON-Dark Sky Compliant

UP15 = Up Light 15 Watt - NON-Dark Sky Compliant

DN15 = Down Light 15 Watt - Dark Sky Compliant

#### COLOR TEMPERATURE (CCT)

3K =  $\pm 3000K$  range LED

4K =  $\pm 4000K$  range LED

5K =  $\pm 5000K$  range LED

#### VOLTAGE

120 = 120 Volt

#### STANDARD FINISH

BK = Black Finish

BZ = Bronze Finish — STANDARD

PNA = Painted Natural Aluminum

WH = Textured White Finish

#### PREMIUM UPCHARGE FINISH

CC = Custom Color (Visit [www.ralcolor.com](http://www.ralcolor.com))

— Provide RAL# or Make-to-Match Color Chip

+NAT = Epoxy Coating for Natatorium

#### OPTIONS

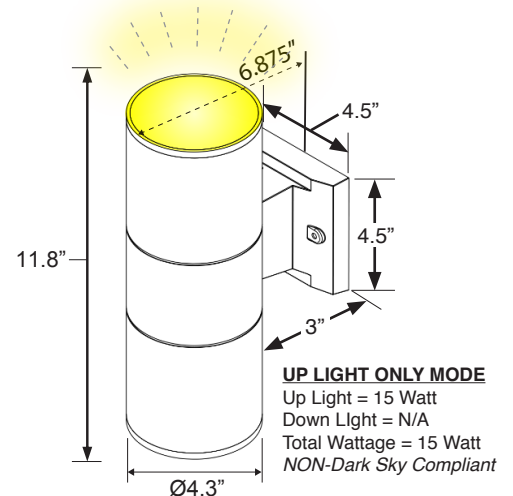
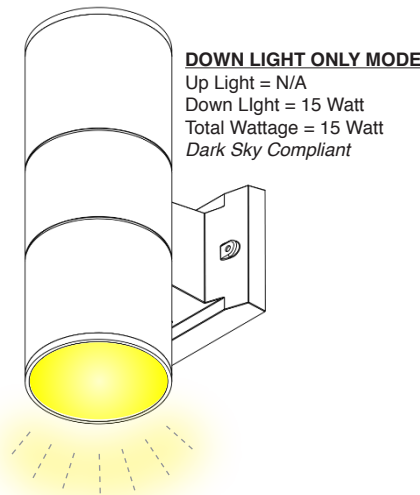
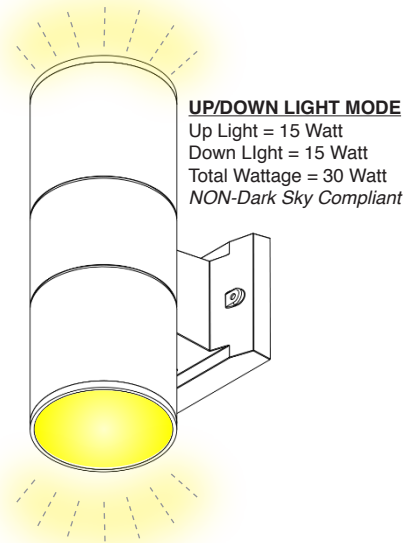
LF = Lens Filter

— Colors: Red (R) / Blue (B) / Green (G) / Amber (A)

Order Example: Lens Filter Red (LF-R)

NOTE: Lens Filter Compatible with 4K CCT Only

### SWITCHABLE LIGHT MODES / DIMENSIONS



# Troy 3

## NARROW WALL MOUNT CYLINDER

Switchable Up/Down Light or Down Light Only  
Indoor/Outdoor

We reserve the right to revise the design or components of any product without notice.

CATALOG #		TYPE
PROJECT/LOCATION		
APPROVED BY		

### APPLICATION IMAGES



### ELECTRICAL DATA

Color Temp	CRI <sup>1</sup>	Luminaire Lumens	Luminaire Watts	Lumens Per Watt	Input Voltage	Input Current (A)			Power Factor	THD <sup>2</sup>	L <sub>70</sub> Hours <sup>3</sup>
						120V	240V	277V			
3000K	> 80	2,446	30W	82	120V	0.25	N/A	N/A	> 90%	< 50%	50,000
4000K	> 80	2,467	30W	82	120V	0.25	N/A	N/A	> 90%	< 50%	50,000
5000K	> 80	2,509	30W	82	120V	0.25	N/A	N/A	> 90%	< 50%	50,000

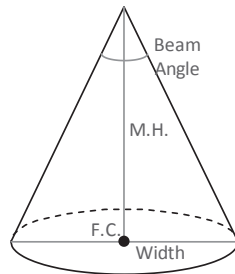
#### NOTES:

- 1 Color Rendering Index
- 2 Total Harmonic Distortion
- 3 L<sub>70</sub> refers to the number of hours at which lumen output declines to 70% of the initial level. L<sub>70</sub> hours are IES TM-21-11 calculated hours.

### PHOTOMETRIC DATA

Luminaire Data	
Description	Up/Down Cylinder, 3K
Total Lumens	2,509
Input Wattage	30
Efficacy (lm/W)	82
Beam Angle	H=45.1, V=45.1
Field Angle	H=86.9, V=86.9

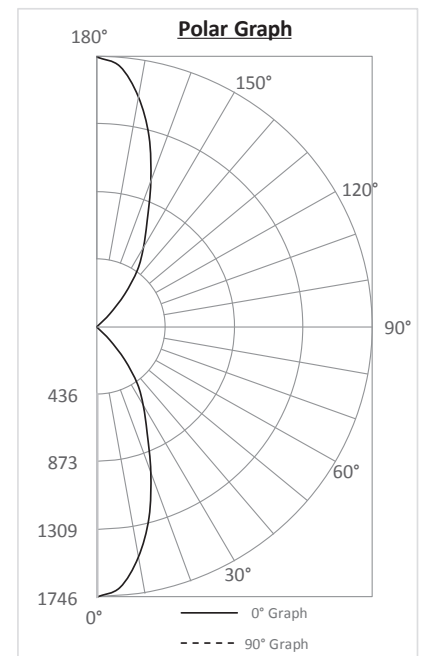
#### Cone of Light



M.H.	F.C.	Width
4'	109	3.3'
6'	48	5.0'
8'	27	6.6'
10'	17	8.3'
12'	12	10.0'
14'	9	11.6'
16'	7	13.3'

#### Candela Table (lm)

0°	1,746
10°	1,512
20°	997
30°	589
40°	277
50°	22
60°	6
70°	4
80°	4
90°	0
100°	4
110°	4
120°	6
130°	22
140°	277
150°	589
160°	997
170°	1,512
180°	1,745



Zonal Lumen Summary		
Zone	Lumens	%Fixt
0-20°	506	20.2%
0-30°	858	34.2%
0-40°	1,131	45.1%
0-60°	1,243	49.6%
0-80°	1,253	49.9%
0-90°	1,254	50.0%
90-180°	1,254	50.0%
0-180°	2,509	100.0%