

# Stockholm Mid-Depth

## EURO BULKHEAD WALL PACK FAMILY

Selectable Wattage / CCT Series

Vandal-Resistant High Abuse / Wet Location

We reserve the right to revise the design or components of any product without notice.

CATALOG #		TYPE
PROJECT/LOCATION		
APPROVED BY		

### SPECIFICATIONS

- DIFFUSER** — Opal White Injection Molded Polycarbonate standard. Optional Ribbed Frosted Opal Lens (RF).
- DRIVER** — Universal Voltage 120/277v Electronic Driver with 0-10V dimming.
- EMERGENCY** — Optional Integral or Remote LED Emergency Battery.
- FASTENERS** — (4) Stainless steel tamperproof Torx screws to secure lens to backplate.
- FINISH** — Extremely durable oven baked Polyester Powder Coat is Standard. Finishes include Black, Bronze or White.
- GASKETING** — One Piece Die Cut 3/16" Thick Black EPDM.
- HOUSING** — Marine Grade cast aluminum.
- LIGHT ENGINE** — Energy Efficient Light Emitting Diode - Selectable Watt / CCT
- MOUNTING HOLES** — (4) 5/16" Diameter Holes for 1/4" Diameter Bolts.
- COMPLIANCE** — Built to comply with U.S. and Canadian Safety Standards. Suitable for Wet Locations.



### ORDERING INFO - SELECTABLE WATTAGE/CCT SERIES

Series	Style	Wattage	CCT	Voltage	Finish	Options
ORDERING GUIDE:						

#### SERIES

**SK-M** = Stockholm Bulkhead Mid-Depth Casting Series  
— 6.5" Depth

#### STYLE

**A** = Style A: with Cage  
**B** = Style B: no Cage  
**C** = Style C: Eyelid with Vertical Bar  
**D** = Style D: Eyelid  
**F** = Style F: Flat Lens  
 — Ceiling Mount is Dark Sky Compliant

#### WATTAGE

**SLED** = \*Selectable LED Wattage: 13.5W | 17W | 20.5W

#### COLOR TEMPERATURE (CCT)

**For SLED Model:**  
**SCCT** = \*Selectable CCT: 3000K | 3500K | 4000K | 5000K  
 \*Note: Fixtures will ship from factory at lowest wattage and warmest CCT. It is the installer's responsibility to set the fixture at the desired wattage and CCT for their project.

#### VOLTAGE

**UNV** = Universal Volt (120-277v) Driver

#### STANDARD FINISH

**BK** = Black Finish  
**WH** = White Finish

#### PREMIUM UPCHARGE FINISH

Note: Premium Finishes Require MOQ = 5pcs  
**BZ** = Bronze Finish  
**PNA** = Painted Natural Aluminum  
**CC** = Custom Color (Visit [www.ralcolor.com](http://www.ralcolor.com))  
 — Provide RAL# or Make-to-Match Color Chip

#### INHIBITOR FINISH

Note: Inhibitor Finishes Require MOQ = 5pcs  
**+NAT** = Epoxy Coating for Chlorine Environments  
**+OFC** = Epoxy Coating for Ocean Front Environments

#### MOUNTING OPTIONS

**PEND12** = Pendant Mount (12" Stem)  
 — Includes Canopy Swivel Kit (45°)  
**PEND(XX)** = Pendant Mount with Custom Stem Length (XX")  
 — Includes Canopy Swivel Kit (45°)  
**SR** = Semi-Recessed

#### LENS OPTIONS

**FRO** = Frosted Opal  
**FLO** = Flat Opal Lens<sup>20</sup>  
**FLP** = Flat Prismatic<sup>22</sup>  
**RC** = Ribbed Clear  
**RF** = Ribbed Frosted  
**RW** = Ribbed White

#### PHOTOCELL OPTION

**9328** = Photocell Button (120/277V)

#### SENSOR CONTROL

**OCC** = Occupancy Sensing | Motion Sensor Integra<sup>20</sup>  
 — Microwave / Single Feed / 120/277V Only  
 — Standby Dim Level Presets: ON/OFF (0%/100%)

#### MISC OPTIONS

**FUS** = Single Fusing

#### EMERGENCY BATTERY OPTIONS<sup>50 51</sup>

Meets California Energy Commission Title 20:  
 (CEC-400-2014-009-CMF) Efficiency Standards

**EL8W** = Integral LED 8 Watt<sup>51</sup>  
**EL10W** = Integral LED 10 Watt<sup>51</sup>  
**EL16W** = Integral LED 16 Watt<sup>51</sup>

**REL8W** = Remote LED 8 Watt  
**REL10W** = Remote LED 10 Watt  
**REL16W** = Remote LED 16 Watt

#### Cold Weather Emergency Batteries:

Operating Temp: -20°C thru 50°C / NON-CEC Compliant  
**EL10W-CW** = Integral LED 10 Watt (Cold Weather)<sup>51</sup>  
**REL10W-CW** = Remote LED 10 Watt (Cold Weather)

#### ACCESSORY OPTIONS (order as a separate line)

**9002** = Tamperproof Screwdriver  
**REMT0009** = Remote Controller for Sensor Options

#### NOTES:

- <sup>20</sup> Max mounting height of fixture is 10' (10 feet).
- <sup>51</sup> Not available in "F" style lens fixtures.
- <sup>22</sup> Compatible with "F" style lens fixtures Only.
- <sup>50</sup> Max WHIP length with the REL provided by the factory is 8 feet.
- <sup>53</sup> Final selection of the Battery Pack under discretion of Factory.

Selectable LED Wattage / Lumen Output		
Low Power	Medium Power	High Power
13.5 Watt (2150 Lumens)	17 Watt (2400 Lumens)	20.5 Watt (3150 Lumens)

Note: Lumen output based on 4000K CCT.

# Stockholm Mid-Depth

## EURO BULKHEAD WALL PACK FAMILY

**Static Wattage / CCT Series**

**Vandal-Resistant High Abuse / Wet Location**

We reserve the right to revise the design or components of any product without notice.

CATALOG #		TYPE
PROJECT/LOCATION		
APPROVED BY		

### SPECIFICATIONS

- DIFFUSER — Opal White Injection Molded Polycarbonate standard. Optional Ribbed Frosted Opal Lens (RF).
- DRIVER — Universal Voltage 120/277v Electronic Driver with 0-10V dimming.
- EMERGENCY — Optional Integral or Remote LED Emergency Battery.
- FASTENERS — (4) Stainless steel tamperproof Torx screws to secure lens to backplate.
- FINISH — Extremely durable oven baked Polyester Powder Coat is Standard. Finishes include Black, Bronze or White.
- GASKETING — One Piece Die Cut 3/16" Thick Black EPDM.
- HOUSING — Marine Grade cast aluminum.
- LIGHT ENGINE — Energy Efficient Light Emitting Diode - Static Wattage / CCT (Non-Selectable).
- MOUNTING HOLES — (4) 5/16" Diameter Holes for 1/4" Diameter Bolts.
- COMPLIANCE — Built to comply with U.S. and Canadian Safety Standards. Suitable for Wet Locations.



### ORDERING INFO - STATIC WATTAGE/CCT SERIES

Series	Style	Wattage	CCT	Voltage	Finish	Options
<input type="text"/>	<input type="text"/>	<input type="text"/>	<input type="text"/>	<input type="text"/>	<input type="text"/>	<input type="text"/>

#### SERIES

**SK-M** = Stockholm Bulkhead Mid-Depth Casting Series  
— 6.5" Depth

#### STYLE

**A** = Style A: with Cage  
**B** = Style B: no Cage  
**C** = Style C: Eyelid with Vertical Bar  
**D** = Style D: Eyelid  
**F** = Style F: Flat Lens  
 — Ceiling Mount is Dark Sky Compliant

#### WATTAGE

**LED40** = LED 40 Watt (Static Wattage - Non-Selectable)

#### COLOR TEMPERATURE (CCT)

**3K** = ±3000K range LED  
**35K** = ±3500K range LED  
**4K** = ±4000K range LED  
**5K** = ±5000K range LED

#### VOLTAGE

**UNV** = Universal Volt (120-277v) Driver

#### STANDARD FINISH

**BK** = Black Finish  
**WH** = White Finish

#### PREMIUM UPCHARGE FINISH

**Note: Premium Finishes Require MOQ = 5pcs**  
**BZ** = Bronze Finish  
**PNA** = Painted Natural Aluminum  
**CC** = Custom Color (Visit [www.ralcolor.com](http://www.ralcolor.com))  
 — Provide RAL# or Make-to-Match Color Chip

#### INHIBITOR FINISH

**Note: Inhibitor Finishes Require MOQ = 5pcs**  
**+NAT** = Epoxy Coating for Chlorine Environments  
**+OFC** = Epoxy Coating for Ocean Front Environments

#### MOUNTING OPTIONS

**PEND12** = Pendant Mount (12" Stem)  
 — Includes Canopy Swivel Kit (45°)  
**PEND(XX)** = Pendant Mount with Custom Stem Length (XX")  
 — Includes Canopy Swivel Kit (45°)  
**SR** = Semi-Recessed

#### LENS OPTIONS

**FRO** = Frosted Opal  
**FLO** = Flat Opal Lens<sup>21</sup>  
**FLP** = Flat Prismatic<sup>22</sup>  
**RC** = Ribbed Clear  
**RF** = Ribbed Frosted  
**RW** = Ribbed White

#### PHOTOCELL OPTION

**9328** = Photocell Button (120/277V)

#### SENSOR CONTROL

**OCC** = Occupancy Sensing | Motion Sensor Integra<sup>20</sup>  
 — Microwave / Single Feed / 120/277V Only  
 — Standby Dim Level Presets: ON/OFF (0%/100%)

#### MISC OPTIONS

**FUS** = Single Fusing

#### EMERGENCY BATTERY OPTIONS<sup>50 51</sup>

**Meets California Energy Commission Title 20:**  
 (CEC-400-2014-009-CMF) Efficiency Standards

**EL8W** = Integral LED 8 Watt<sup>31</sup>  
**EL10W** = Integral LED 10 Watt<sup>31</sup>  
**EL16W** = Integral LED 16 Watt<sup>31</sup>

**REL8W** = Remote LED 8 Watt  
**REL10W** = Remote LED 10 Watt  
**REL16W** = Remote LED 16 Watt

#### Cold Weather Emergency Batteries:

Operating Temp: -20°C thru 50°C / **NON-CEC Compliant**  
**EL10W-CW** = Integral LED 10 Watt (Cold Weather)<sup>31</sup>  
**REL10W-CW** = Remote LED 10 Watt (Cold Weather)

#### ACCESSORY OPTIONS (order as a separate line)

**9002** = Tamperproof Screwdriver  
**REMT0009** = Remote Controller for Sensor Options

#### NOTES:

- <sup>20</sup> Max mounting height of fixture is 10' (10 feet).
- <sup>31</sup> Not available in "F" style lens fixtures.
- <sup>32</sup> Compatible with "F" style lens fixtures Only.
- <sup>50</sup> Max WHIP length with the REL provided by the factory is 8 feet.
- <sup>51</sup> Final selection of the Battery Pack under discretion of Factory.

# Stockholm Mid-Depth

## EURO BULKHEAD WALL PACK FAMILY

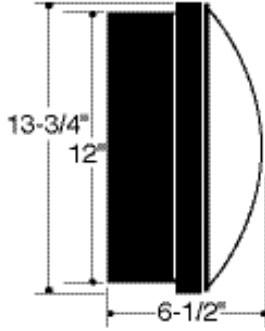
### Selectable or Static Wattage/CCT Series

### Vandal-Resistant High Abuse / Wet Location

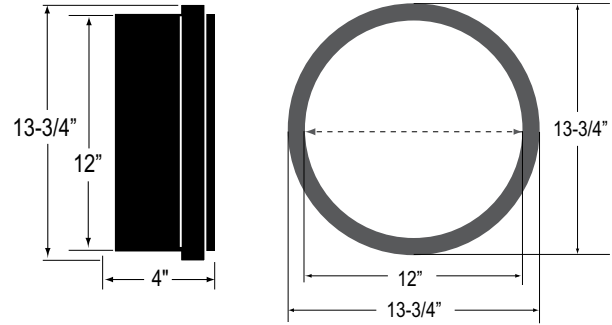
We reserve the right to revise the design or components of any product without notice.

CATALOG #		TYPE
PROJECT/LOCATION		
APPROVED BY		

#### DIMENSIONS

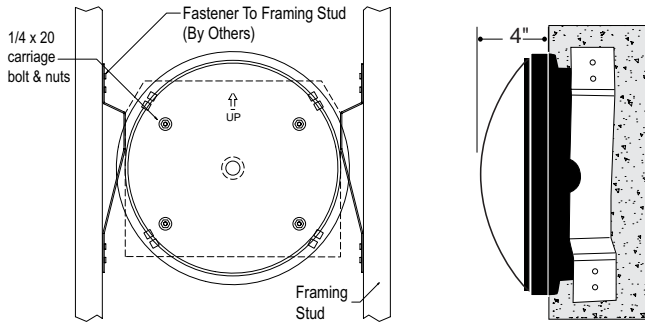


Mid-Depth (SK-M)



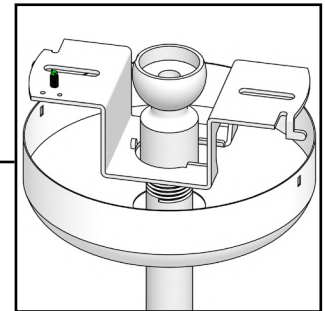
Shown with Flat Lens (Style F)  
Ceiling Mount is Dark Sky Compliant

#### OPTIONS



Shown with Semi-Recessed Option (SR)

#### PENDANT MOUNT OPTION



Pendant Mount Includes Canopy Swivel Kit



Style B Pendant Mount

Style F Pendant Mount