

We reserve the right to revise the design or components of any product without notice.

Munich Extra Large

FULL CUT-OFF WALL PACK FAMILY

Vandal Resistant LED

CATALOG #		TYPE
PROJECT/LOCATION		
APPROVED BY		

SPECIFICATIONS

- DRIVER — Universal Voltage 120/277v Electronic Driver with 0-10V dimming is standard.
- EMERGENCY — Integral Emergency Battery Options available.
- GASKETING — High temperature, non-aging black EPDM and/or neoprene rubber concealed in housing pocket and enclosed by cast-in drip shield and rear wire entrance hole to protect against outside contaminants.
- HOUSING — Heavy wall cast aluminum with wire access on back through threaded 1/2" conduit size entrance holes - Standard Finish in Bronze oven baked Polyester Powder Coat.
- LIGHT ENGINE — Energy Efficient Light Emitting Diode (LED).
- COMPLIANCE — Built to comply with U.S. and Canadian Safety Standards. Suitable for Wet Locations. CSA Listed. Complies with Buy American Act.



ORDERING INFO

Series	Distribution	LED Wattage	CCT	Lens	Voltage	Finish	Options

ORDERING GUIDE:

SERIES

MU-Q-XL = Munich Extra Large Series
— (18¼"W x 9⅞"H x 13¾"D)

DISTRIBUTION

FT = Forward Throw Distribution (Type III)
WS = Wide Spread Distribution (Type V)

LED WATTAGE

LED37 = LED 37 Watt
LED56 = LED 56 Watt

LED COLOR TEMPERATURE

4K = ±4000K range
5K = ±5000K range

LENS

CFG = Clear Tempered Flat Glass
CFP = Clear Tempered Flat Prismatic Glass²⁰

VOLTAGE

UNV = Universal Volt (120-277v) Driver

STANDARD FINISH

BZ = Bronze

PREMIUM UPCHARGE FINISH³³

BK = Black
SGR = Silver Grey
WH = White
CC = Custom Color (Visit www.ralcolor.com)
— Provide RAL# or Make-to-Match Color Chip

PHOTOCELL OPTIONS

9328 = Photocell Button (120/277V)

CONTROL OPTIONS

OCC = Occupancy Sensing | Motion Sensor Integral^{20 33}
— Microwave / Single Feed / 120/277V Only
BLD = Bi-Level Dimming | Motion Sensor Integral^{20 33}
— Microwave / Single Feed / 120/277V Only

MISC OPTIONS

FUS = Single Fusing³³
SG = Surge Protection³³

EMERGENCY BATTERY OPTIONS³³

Meets California Energy Commission Title 20:
(CEC-400-2014-009-CMF) Efficiency Standards

EL10W = 10 Watt Battery Backup
— 90 Minute Battery Time
EL10W-CW = 10 Watt Battery Backup - Cold Weather
— 90 Minute Battery Time
— Operating Temp: -20°C to 50°C

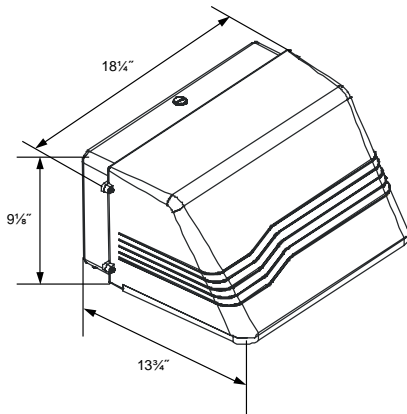
ACCESSORY OPTIONS (order as a separate line)

WG = Stainless Steel Wire Guard

NOTES:

- ²⁰ Max mounting height of fixture is 18' (18 feet)
- ³³ Minimum Order Quantity of (5) pieces required - Subject to Setup Fee
- ³⁴ Only Available with WS Distribution
- ³⁵ Only Available on 120/277V

DIMENSIONS



LUMENS

	Wattage	LED37	LED56
	Input Watts	40.6	60.9
Optic	CCT	Delivered Lumens	
Forward Throw Distribution (Type III)	4000K	4,074	6,112
	5000K	4,244	6,366
	BUG Rating	B1-U2-G1	B2-U2-G2
Wide Spread Distribution (Type III)	4000K	4,510	6,765
	5000K	4,698	7,047
	BUG Rating	B2-U2-G1	B2-U2-G1

Munich Extra Large

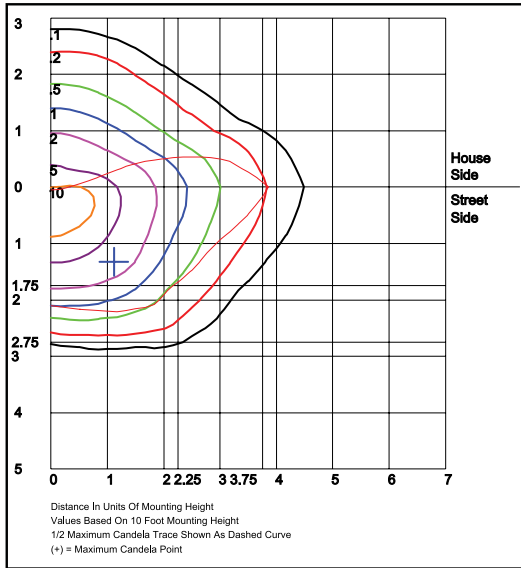
FULL CUT-OFF WALL PACK FAMILY

Vandal Resistant LED

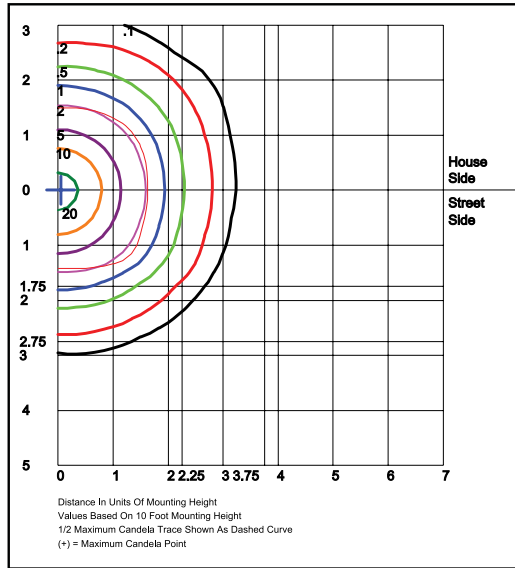
We reserve the right to revise the design or components of any product without notice.

CATALOG #		TYPE
PROJECT/LOCATION		
APPROVED BY		

PHOTOMETRY

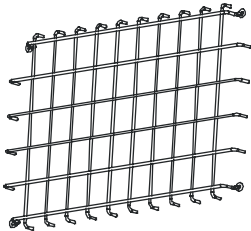


MU-Q-XL-FT-LED56-5K-CFG
 MH=10 Feet



MU-Q-XL-WS-LED56-5K-CFG
 MH=10 Feet

ACCESSORY OPTIONS (Order as a separate line)



Stainless Steel Wire Guard (WG)