

# Liverpool XL Indoor

## Indoor Indirect LED Luminaire

We reserve the right to revise the design or components of any product without notice.

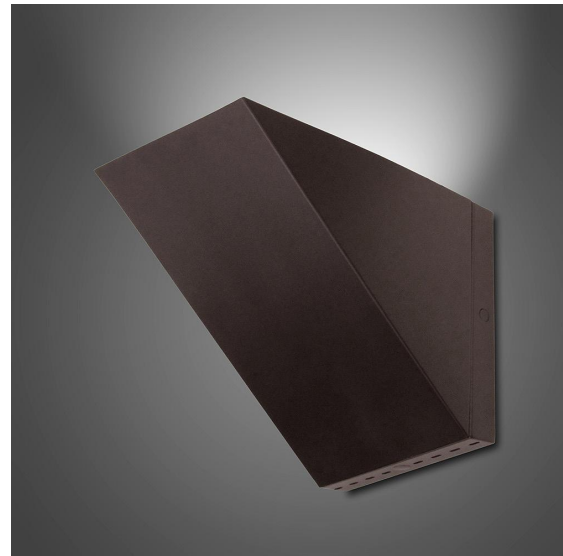
CATALOG #		TYPE
PROJECT/LOCATION		
APPROVED BY		

### SPECIFICATIONS

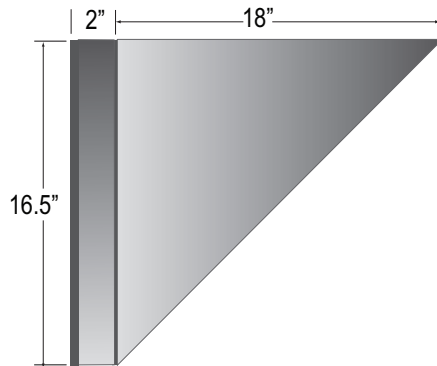
- DRIVER — Universal Voltage 120/277v Electronic Driver is standard.
- HOUSING — All aluminum construction, easy 2-piece installation, with wall Back Box (Standard) or RCA (Optional). Finished in oven baked polyester powder coat. Fascia has visible hardware..
- LIGHT ENGINE — 80 CRI Standard; 90 CRI Optional.
- LENS — Clear Acrylic is Standard. Optional: Prismatic glass (93); Clear polycarbonate (92); Prismatic polycarbonate (80, 81).
- COMPLIANCE— Built to comply with U.S. and Canadian safety standards.

### FEATURES

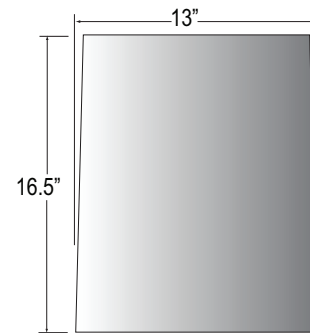
- Adjustable Aiming of Light Engines.
- 140 LPW Standard.
- Optional Round Column Adapter (RCA)—Specify Radius.



### DIMENSIONS

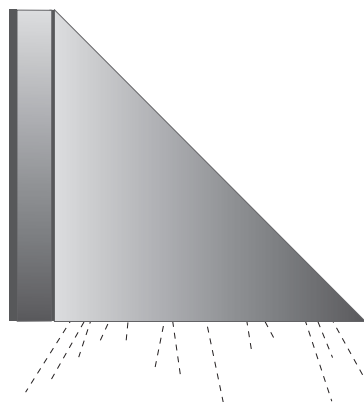


**SURFACE MOUNT, STYLE B (INDIRECT)**  
Side View With Standard BB

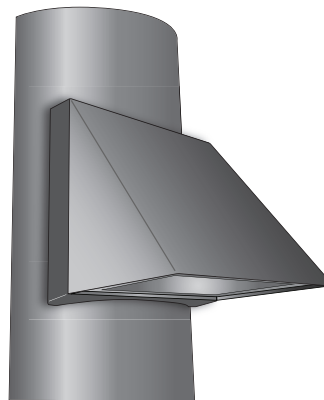


**FRONT VIEW**

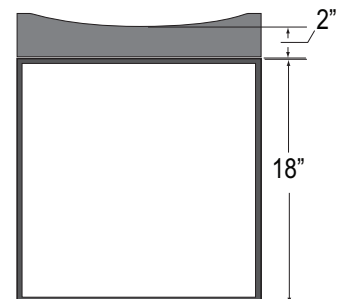
### OPTIONS



**SURFACE MOUNT, STYLE A (DIRECT)**



**ROUND COLUMN  
ADAPTER (RCA)**



**OPTIONAL COLUMN MOUNT  
TOP VIEW WITH RCA**

# Liverpool XL Indoor

## Indoor Indirect LED Luminaire

ORDERING GUIDE:

Series	Style	Lamp/Wattage	Color Temp	Voltage	Finish	Options

### SERIES

LV-XL = Liverpool XL Series (16.5" H x 13" W x 18"D)

### STYLE

- A = Direct (Downlight)
- B = Indirect (Uplight: Indoor Only)

### LED WATTAGE

- LED60 = 60 Watt LED (5,000 Initial Lumens)
- LED120 = 120 Watt LED (10,000 Initial Lumens)

### LED COLOR TEMPERATURE

- 3K = ±3000K range
- 4K = ±4000K range
- 5K = ±5000K range

### VOLTAGE

EBU = Universal Volt (120-277v) Electronic Driver

### FINISH

- BK = Black Finish
- BZ = Bronze Finish – Standard
- CC = Custom Color
- PNA = Painted Natural Aluminum
- WH = White Finish

### OPTIONS

- 80 = .125" K12 Prismatic Polycarbonate
- 81 = .156" K12 Prismatic Polycarbonate
- 92 = .187" Clear Polycarbonate
- 93 = .156" C73 Prismatic Tempered Glass
- 94 = .156" C73 Prismatic Frosted Glass
- BB = Backbox for Surface Conduit (Standard)
- RCA9 = Round Column Adapter, 9" Radius
- RCA12 = Round Column Adapter, 12" Radius
- RCAC = Round Column Adapter, Custom Radius—Specify Size

### LED OPTIONS

- BL1 = Bi-Level Light (High/Low)
  - Single AC Input Feed, with Switch Sensor (Required)
- BL2 = Bi-Level Light (High/Low)
  - Wired for Dual AC Input Feeds
- D7 = 0-10V low-voltage dimming (100-30% Standard, Consult Factory for Other)

## PHOTOMETRIC DATA

### Test # 18923.0

Test Date: 06/23/2015

Tested in accordance with LM-79-80  
The results contained in this summary report pertain only to the tested sample

Zonal Lumen Summary		
Zone	Lumens	% Luminaire
0-30	2297	32.6
0-40	3779	53.6
0-60	6316	89.7
0-90	7044	100.0
0-180	7044	100.0

### LV-XL-LED120-3K-(2)EBU-WH-D7

