

Linz

SMALL BASIC VANDAL RESISTANT Wall Mount LED Luminaire Open Style Available as Ceiling Mount

We reserve the right to revise the design or components of any product without notice.

CATALOG #		TYPE
PROJECT/LOCATION		
APPROVED BY		

SPECIFICATIONS

- DIFFUSER — Opalescent Polycarbonate Lens.
- DRIVER — Universal Voltage 120/277v Electronic Driver for LED.
- EMERGENCY — LED — Remote or Integral Emergency Battery.
- FINISH — Extremely durable oven baked Polyester Powder coat. Finishes include Bronze or White.
- HOUSING — Die-Cast Aluminum Housing and Open Front Frame, Textured Architectural Bronze Powdercoat Finish Over a Chromate Conversion Coating, Gasketed.
- LIGHT ENGINE — Energy Efficient Light Emitting Diode (LED).
- REFLECTOR — White Powdercoat Steel Pan Reflector.
- MOUNTING — Surface Mount.
- COMPLIANCE — Built to comply with U.S. and Canadian safety standards. Suitable for wet environments (requires 4-Point mounting).



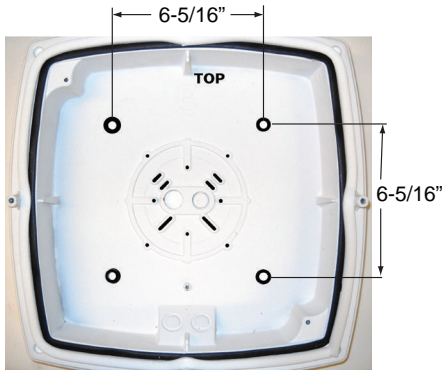
Linz STYLE A:
Eyelid Wall Mount



Linz STYLE B:
Open (NO Eyelid) Wall Mount

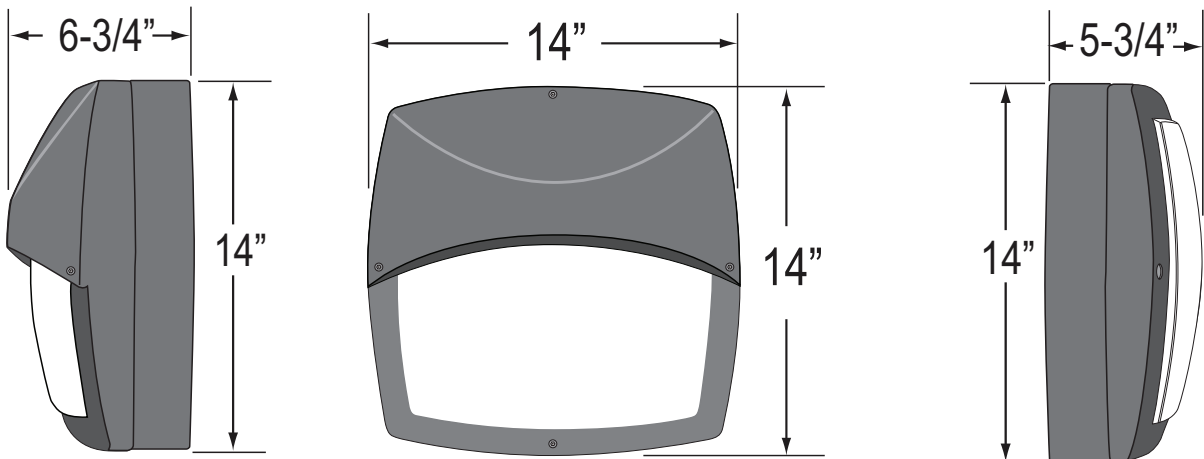


Linz STYLE C:
Open (NO Eyelid) Ceiling Mount



Linz Mounting Dimensions

DIMENSIONS



Linz

SMALL BASIC VANDAL RESISTANT

Wall Mount LED Luminaire

Open Style Available as Ceiling Mount

ORDERING GUIDE:

Series	Style	Lamp/Wattage	Color	Voltage	Finish	Options

SERIES

LZ = Linz Series

STYLE

- A** = Linz Eyelid Wall Mount
— Style-A Dimensions: 14”Sq. x 6¾”D
- B** = Linz Open (NO Eyelid) Wall Mount
— Style-B Dimensions: 14”Sq. x 5¾”D
- C** = Linz Open (NO Eyelid) Ceiling Mount
— Style-C Dimensions: 14”Sq. x 5¾”D

LED WATTAGE¹

LED30 = 30 Watt LED

LED COLOR TEMPERATURE

- 3K** = ±3000K range
- 4K** = ±4000K range
- 5K** = ±5000K range
- 65K** = ±6500K range

VOLTAGE

- 120** = 120 Volts
- 277** = 277 Volts
- EBU** = Universal Volt (120-277V) Electronic Driver
- 2EBU** = 2 Universal Voltage Drivers for Dual Circuit²

FINISH

- BK** = Black Finish
- BZ** = Bronze Finish – Standard
- WH** = White Finish

OPTIONS

- 9002** = Torx Tamperproof Screwdriver
- 9328** = Universal Photocell – 120/277V¹²
- FUS** = Single Fusing
- GTD** = Generator Transfer Device (Bodine)

LED OPTIONS

- BL1** = Bi-Level Light (High/Low)
— Single AC Input Feed
— Switch Sensor (Required)
- BL2** = Bi-Level Light (High/Low)²
— Wired for Dual AC Input Feeds
- D7** = LED Dimming: 0-10V low-voltage (100-30% Standard, Consult Factory for Other)
- D8** = LED Dimming: Forward Phase (Triac)
- MSE** = Motion Sensor External
— Single circuit-all on, all off
Specify Finish: White (WH)/Bronze (BZ)
- MSE2** = Motion Sensor External
— Dual circuit, half on half off
Specify Finish: White (WH)/Bronze (BZ)
- SG** = 10KA Surge Protection for LED fixtures (meets ANSI spec C62.41.2)

EMERGENCY BATTERY OPTIONS ³⁵

No onsite Emergency Power (AC or DC) is provided
Specify Fixture Voltage: 120V or 277V Power Feed
A=120V or B=277V

LED Emergency Battery ⁵⁰

- EL67⁵** = LED 23 Watt Cold Weather (Integral)
- REL67** = LED 23 Watt Cold Weather (Remote)
- REL82** = LED 4 Watt (Remote)
- REL85** = LED 20 Watt (Remote)
- REL88** = LED 16 Watt (Remote)

NOTES:

- ¹ Consult Factory with requests regarding lamp sources, including LED, color temp., wattages or voltages not shown.
- ² Backbox (BB) Required (where text bold and note#² shown).
- ³ Consult Factory for additional Emergency Battery options not shown.
- ¹² Requires remote mounting
- ⁵⁰ Max WHIP length with the REL provided by the factory is 8 feet.
- ⁵³ Battery Available as Integral or Remote - Specify REL for Remote option (ie. EL1 = Integral; REL1 = Remote)
- ⁵⁵ Due to form and fit, final selection of the Battery Pack under discretion of Factory