

LAN Series

RGBW Color Tuning LED Landscape Light High Performance / Outdoor Lighting IP65 Rated

We reserve the right to revise the design or components of any product without notice.

CATALOG #		TYPE
PROJECT/LOCATION		
APPROVED BY		

SPECIFICATIONS

- CONTROLS — Color and brightness controlled via app or optional remote controller.
- FINISH — Bronze finish is standard. Black and White finish are optional.
- HOUSING — Die-cast aluminum with built-in heatsink. Provides excellent thermal management for long lifespan.
- INPUT POWER — 12 Volt AC or 12 Volt DC.
- LED DISTRIBUTION — 22°, 35°, or 57° Beam Angle.
- LED LIFETIME — 50,000hrs per L70 TM-21@ 25°C.
- LIGHT ENGINE — Energy efficient LED. 70CRI.
- MOUNTING — Ground or Wall Mount. 1/2" NPT threaded arm with locking swivel. Optional Wall Mount Bracket.
- OPERATIONAL TEMPERATURE — -30°C to +40°C / -22°F to +104°F
- COMPLIANCE — Built to comply with U.S. and Canadian safety standards. IP65 Rated.
- WARRANTY — 5 Year Limited Warranty.



ORDERING INFO

ORDERING GUIDE:	Series	LED Wattage	CCT	Beam Angle	Input Power	Finish	Options

SERIES

LAN = Landscape Light

LED WATTAGE

See RGBW LED System Chart Below for Lumen / Size Info

- LED6 = 6 Watt LED
- LED12 = 12 Watt LED
- LED30 = 30 Watt LED

LED COLOR TEMPERATURE (CCT)

Note: See Accessory Options for Optional Remote Controller

RGBW = Red / Green / Blue / White - Color Tuning System

BEAM ANGLE

- 22D = 22°
- 35D = 35°
- 57D = 57°

INPUT POWER

- 12VAC = 12 Volt AC
- 12VDC = 12 Volt DC

FINISH

- BK = Black
- BZ = Bronze — STANDARD
- WHT = White

MOUNTING OPTIONS

WMB = Wall Mount Bracket

ACCESSORY OPTIONS (order as a separate line)

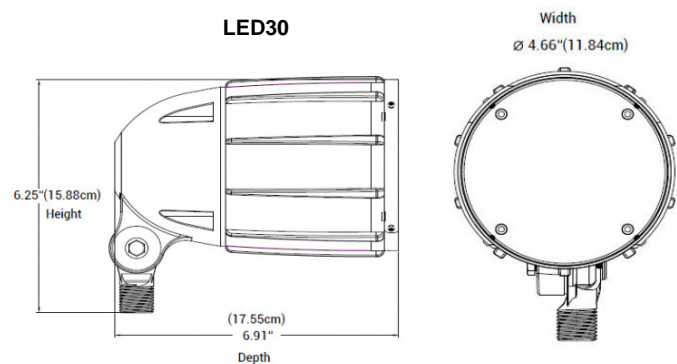
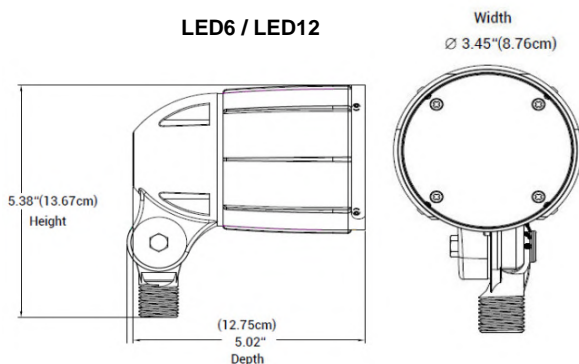
REMT = Remote Controller for RGBW System

Note: User Manual for App / Remote Control on Pgs. 3-5

RGBW LED SYSTEM SPECIFICATION SUMMARY

LED WATTAGE	LUMEN OUTPUT (RED)	LUMEN OUTPUT (GREEN)	LUMEN OUTPUT (BLUE)	LUMEN OUTPUT (WHITE)	FIXTURE DIMENSIONS
6 Watt	81 Lumens	109 Lumens	22 Lumens	182 Lumens	3.45"W x 5.38"H x 5.02"D
12 Watt	209 Lumens	218 Lumens	45 Lumens	343 Lumens	3.45"W x 5.38"H x 5.02"D
30 Watt	462 Lumens	524 Lumens	107 Lumens	867 Lumens	4.66"W x 6.25"H x 5.02"D

DIMENSIONS



CONTROLS



RGBW Software

Connect to fixture via Bluetooth and control Color / Brightness settings through the downloadable iOS or Android App.



Remote Control (REMT)

Control Color / Brightness settings via the wireless remote controller.

Not Included Sold Separately as an Option.

MOUNTING OPTIONS



Wall Mount Bracket (WMB)

APPLICATIONS



APP CONNECTION AND MODES

1. Scan the QR code to download and install on your iOS device (iPhone, iPad) the application HappyLighting from the AppStore. on your Android device, download HappyLighting from Google Play Store.



2. Turn on the Bluetooth on your Apple or Android device (see Fig. 1)

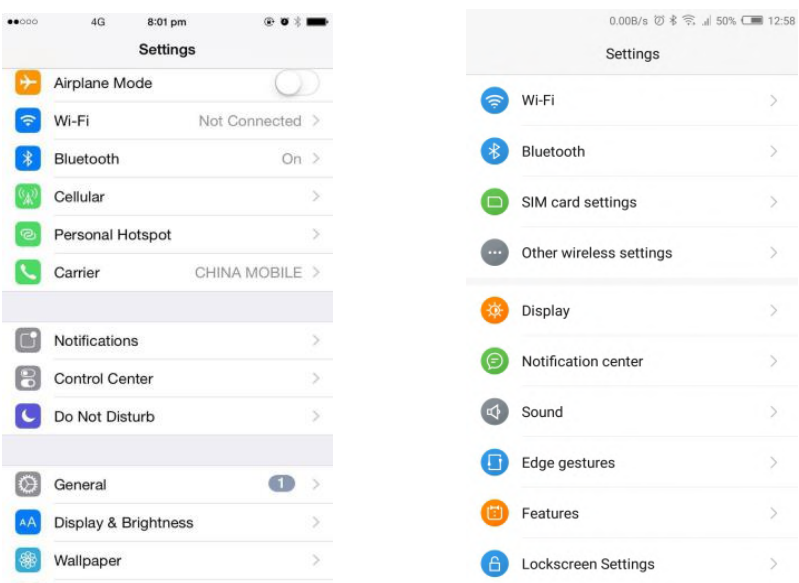


FIG.1

3. Turn on the bullet floodlights. Run the application and tap the button on the top left corner to show device list and select the light to start connection (Fig. 2).

4. You can group a maximum of 6 lights using the app, by tapping "Group Manage". Select the lights and add them to the desired group (Fig 3). Multiple groups can be created.

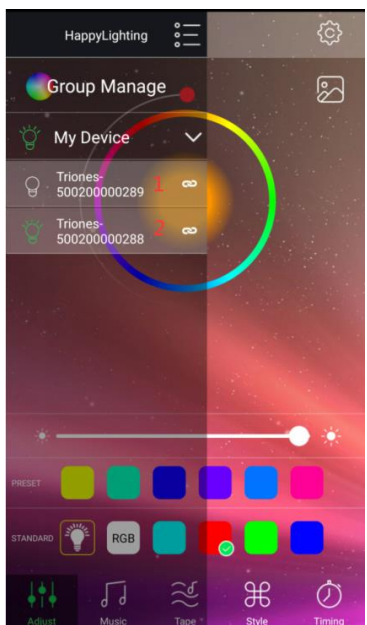


FIG.2

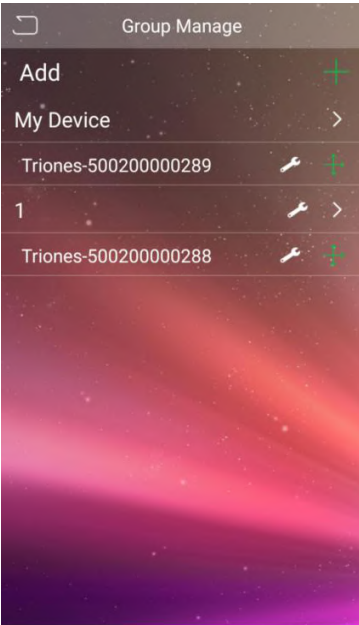


FIG.3

5. Music Mode - Tap the "Music" button to enter Music mode. In this mode the connected bullet floodlight will light in the rhythm of the music playing on the smartphone or tablet. To do this, select your music library on smartphone or tablet and select the desired music. With the pause/play button in the middle, you can start or stop the music and the LED light (Fig. 4).

6. Voice Mode - Tap the "Tape" button to enter in Voice mode. In this mode the connected bullet floodlight lights up depending on the volume / noise from the outside like a microphone (Fig. 5).

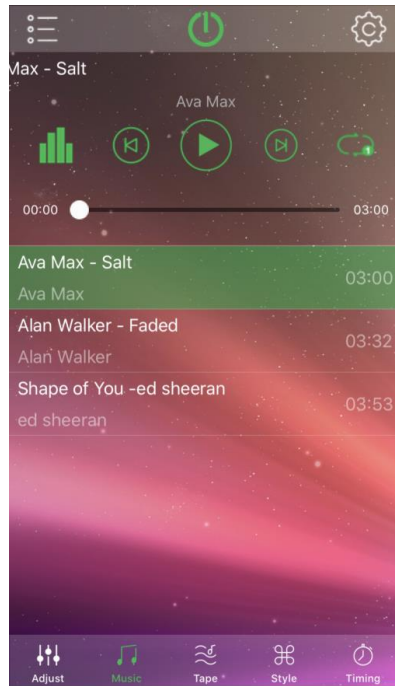


Fig. 4

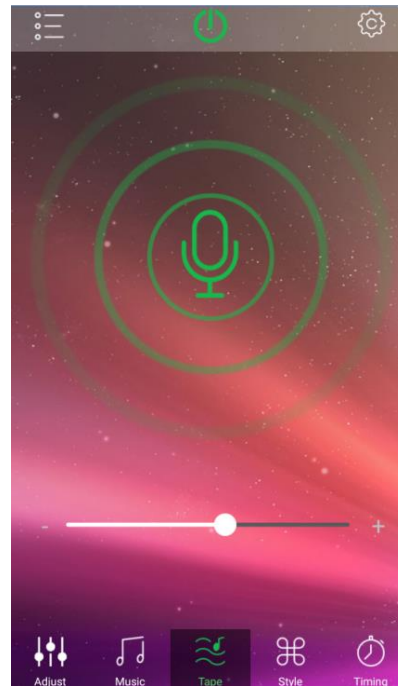


Fig. 5

7. RGBW Mode - Tap the "Adjust" button to enter RGBW mode. You can adjust both the color RGB (Red/Green/Blue) as well as the brightness of the color. There are 6 preset and 6 standard color buttons for easy access to the individual channels. (Fig. 6)

8. RGB Scenes - Tap the "Style" button to enter RGB Scene mode. There are 20 preset modes. You can adjust the speed of each mode using the slider (Fig. 7).

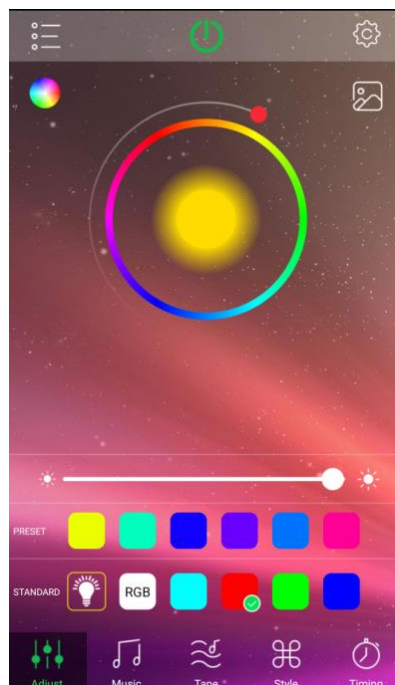


Fig.6

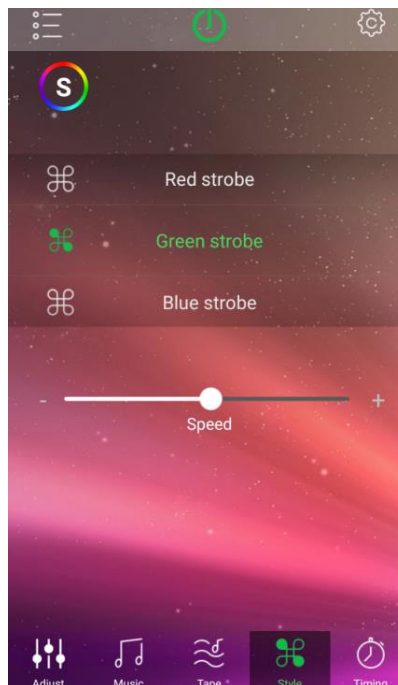


Fig.7

9.Timer - The controller has a build-in timer function. To access it tap the "Timing" button. You can set the desired ON or OFF time or you can set the light to work in a time interval. The timer will not operate if the power supply is interrupted (Fig. 8).

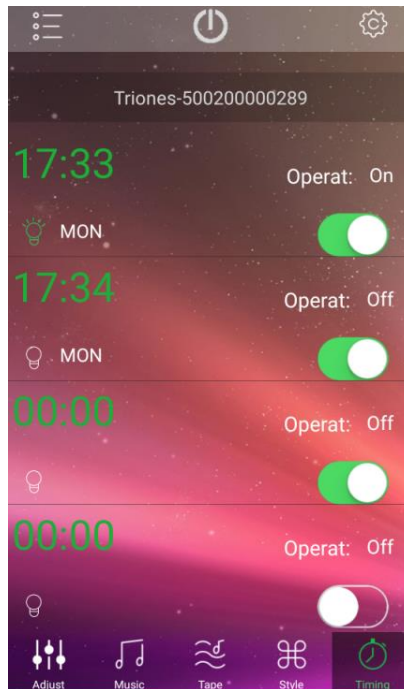


Fig.8

10. Remote controller

ON/OFF Button - Switch the unit on or off.

Dimming and Speed - When in static monochrome mode use it to adjust the brightness; when the set mode is in FADE, STROBE, FLASH or SMOOTH it adjusts the speed

Static Monochrome - Use the buttons to directly select the desired color (16 choices)

FLASH - Automatic change of colors (fast)

STROBE - Automatic jumping change of colors (slow)

FADE - Automatic change of seven colors with blending effect

SMOOTH - Automatic change of three colors with blending effect

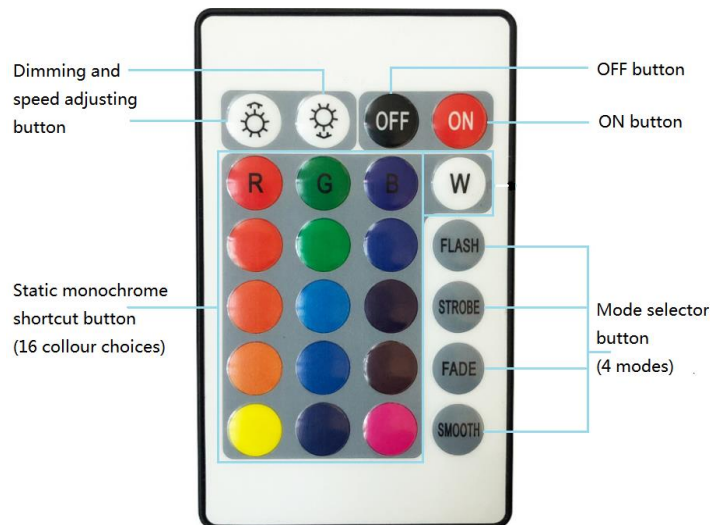


Fig.9