

Kayla Series

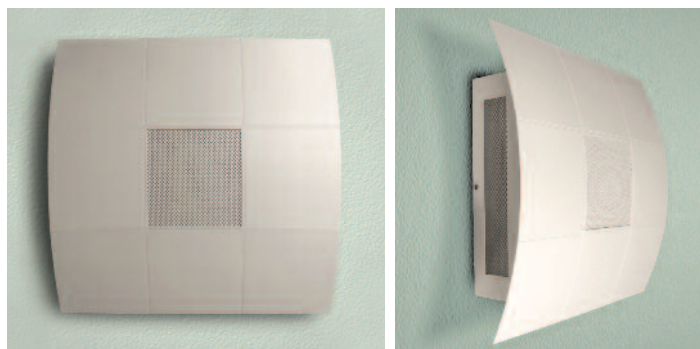


Fluorescent or H.I.D.
Wall Mount Indoor/Outdoor 'Sconce'

Catalog Number	
Project/Location	Type
Approved By	

SPECIFICATIONS

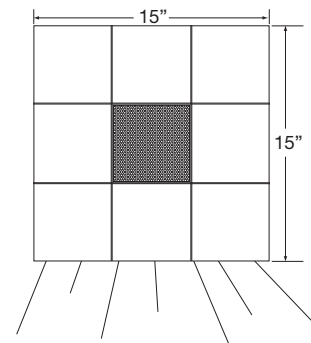
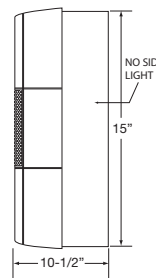
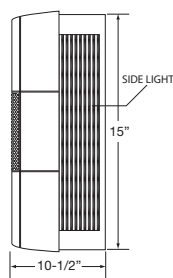
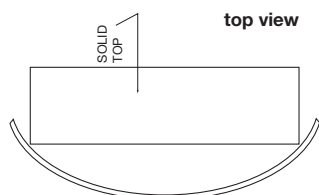
- BACKPLATE— 16 Gauge aluminum (AL)
- BALLAST— For DTT, TTT Fluorescent Electronic (EB) cold weather 0° is Standard. — High Temperature Electronic Ballast operates from -30° C up to 90° C max case temperature. NPF for MH.
- DIFFUSER— 0.125 (1/8") Thick Clear Prismatic (CPR) Acrylic standard. Provides glow of Light on all four sides. Optional No Side Light (NSL).
- FASTENERS— Stainless steel tamperproof screws --(2) To secure lens in place
- FINISH— Corrosion and Weather resistant pre-treated extremely durable oven baked polyester powder.
- GASKETING— High temperature, non-aging black EPDM and/or neoprene rubber around the entire lens perimeter and rear wire entrance hole to protect against dust, moisture and outside contaminants
- HOUSING— 16 Gauge Aluminum (AL) — Curved Face Plate
- LAMPING— Double (DTT), Triple Twin Tube (TTT) or Philips PL-H Compact Fluorescent; HID Medium Base Metal Halide (MH) - SUPPLIED BY OTHERS.
- MOUNTING— Center access hole for indoor mounting to a "J" box or use (4) 5/16" diameter holes for 1/4" diameter bolts for outdoor or indoor for some models
- PERFEX WINDOW— Perfix Perforated Insert (center window).
- UL/ULC— UL/ULC Listed to U.S. and Canadian safety standards - Suitable for wet locations



Show in Style A (Square Mounting)



Show in Style B (Diamond Mounting)



Lamp Size	KY
Dimensions - W x H x D	15" x 15" x 10 1/2"
Fluorescent TT	Consult Factory
Fluorescent DTT	(2)26w
Fluorescent TTT	(1 or 2)26/32/42w
Metal Halide	50/70w
LED	Consult Factory

Show with No Side Light (NSL)

Catalog Number Ordering Guide

Example: **KY A MH (1)70 120 NPF**

SERIES	KY = Kayla Series (15" sq x 10-1/2" deep)
STYLE	A = Style A (Square Mounting) B = Style B (Diamond Mounting)
LAMP TYPE	DTT = Double Twin Tube Mini-Fluorescent TTT = Triple Twin Tube Mini-Fluorescent MH = Medium Base Metal Halide - Pulse Start
LAMP QUANTITY/WATTAGE	Refer to Above Chart
VOLTAGE	120 = 120 Volts 277 = 277 Volts 347 = 347 Volts EBU = High Temp Universal Volt (120-277v) Electronic Ballast Programmable Start for CFL
POWER FACTOR	EB = Electronic Ballast NPF = Normal Power Factor for HID HPF = High Power Factor for HID

COLOR HOUSING	BK = Black BZ = Bronze (Standard) CC = Custom Color (consult factory) PNA = Painted Natural Aluminum PLT = Platinum Beige SGR = Silver Gray WH = White
COLOR FX WINDOW	AM = Amber BL = Blue CC = Custom Color (consult factory) GN = Green RD = Red WH = White

OPTIONS	ACR = Acrylic Diffuser - White Translucent Opal CPR = Clear Prismatic Diffuser Standard DK = Dark Sky (Opaque Top) EL = Any Emergency Battery (EL, ELH, EL-CW, REL) for CFL See EL Chart immediately after Architectural/Euro Tab FUS = Single Fusing DFUS = Double Fusing NSL = No Side Light OPL = Opal White Diffuser PS = Pulse Start (standard on MH 50w thru 150w)
----------------	---



9245 W. Ivanhoe St. | Schiller Park, IL 60176
p: (847) 260-0333 | f: (847) 260-0344
www.eclipselightinginc.com | quotes@eclipselightinginc.com