

# Hermes

## ARCHITECTURAL SERIES

Decorative Wall Cylinder,  
Up or Down Light;  
HID, CFL, LED

We reserve the right to revise the design or components of any product without notice.

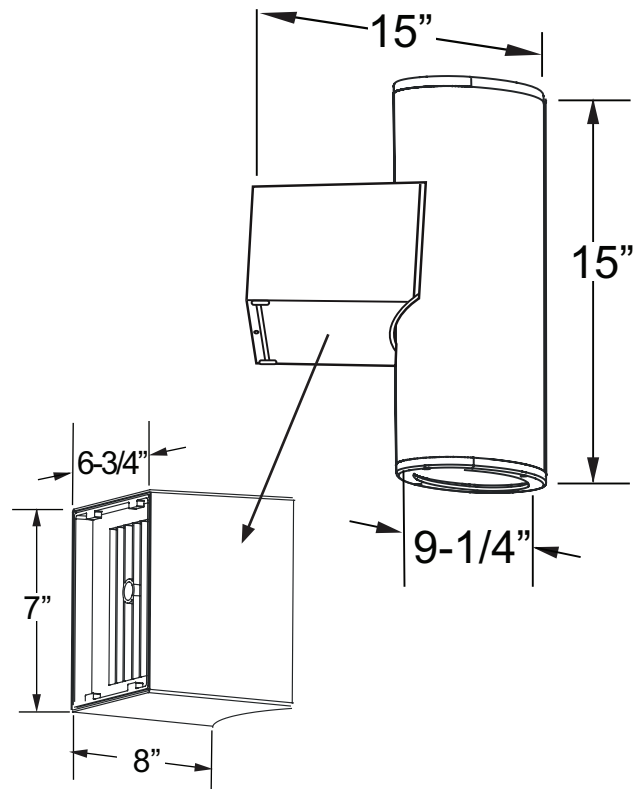
**ARRA**  
Compliant

CATALOG #		TYPE
PROJECT/LOCATION		
APPROVED BY		



### SPECIFICATIONS

- BALLAST — For HID Pulse Start is Standard.
- EMERGENCY — LED — Remote Only.
- HOUSING — Extruded Oval Aluminum Housing—can be reversed to create an Uplight, Die Cast Aluminum Ballast Housing Finished in White, Black or Bronze Powdercoat over a Chromate Conversion Coating, Hinged Ballast Compartment for easy wiring access.
- LAMP — Metal Halide—BY OTHERS. LED Included.
- LENS — Clear Tempered Glass (94) is Standard.
- MOUNTING — Mount Over a 4" Recessed Outlet Box Includes Easy-Hang "Two Hands Free" Wall Mounting Bracket.
- REFLECTOR — Aluminum Standard
- UL/ULC Listed to U.S. and Canadian safety standards - Suitable for wet location.



LAMP TYPE/QTY/WATTAGE <sup>1</sup>		HERMES	
Visit <a href="http://www.eclipselightinginc.com">www.eclipselightinginc.com</a> for available IES files			
Fixture		HERMES	
Dimensions - W x H x D		9 1/4" Max Dia. x 15" T x 15" D	
Compact Fluorescent Double Twin Tube	DTT	(1 or 2)26w	
Compact Fluorescent Triple Twin Tube	TTT	(1 or 2)26/32/42w	
Pulse Start Metal Halide	MH	(1)70w	
Light Emitting Diode	LED	15/30w	

### ORDERING GUIDE:

Series	Size	Lamp Type/Qty/Watt	Color Temp	Voltage: Primary/Emergency	Finish	Options

#### NOTES:

- Consult Factory with requests regarding lamp sources, including LED, color temp., wattages or voltages not shown.
- Consult Factory for additional Emergency Battery options.
- Max WHIP length with the REL provided by the factory is 8 feet.

#### SERIES

HS = Hermes Series

#### LAMP TYPE/QUANTITY/WATTAGE

Refer to Chart Above

#### LAMP CONFIGURATIONS

- UP = Up Light (1 Lamp)
- DN = Down Light (1 Lamp)
- UP/DN = Up & Down Light (2 Lamps)

#### COLOR TEMP (LED)

- 3K = ±3000K range LED
- 4K = ±4000K range LED
- 5K = ±5000K range LED
- 6K = ±6000K range LED

#### VOLTAGE

- 120 = 120 Volts
- 277 = 277 Volts
- EB = Electronic Ballast
- EBMH = Electronic Ballast for Metal Halide

#### FINISH

- BK = Black
- BZ = Bronze
- CC = Custom Color (Consult Factory)
- WH = White

#### OPTIONS

- FUS = Single GLR Fuse and Fuse Holder
- GTD = Generator Transfer Device (Bodine)

#### LED OPTIONS

- D7 = 0-10V low-voltage dimming (100-30% Standard, Consult Factory for Other)

#### EMERGENCY BATTERY OPTIONS<sup>50</sup>

No onsite Emergency Power (AC or DC) is provided  
Specify Fixture Voltage: 120V or 277V Power Feed  
A=120V or B=277V

- REL61 = Remote Emergency Battery<sup>50</sup>: LED 12W, ± 720 Lms (by lota)
- REL63 = Remote Emergency Battery<sup>50</sup>: LED 23W, ± 1290 Lms (Bodine)
- REL67 = Remote Emergency Battery<sup>50</sup>: Cold Weather LED 23W, ± 1290 Lms (lota)