

# Frankfurt

## EURO WALL PACK FAMILY

### Surface Mount

### Vandal Resistant LED

We reserve the right to revise the design or components of any product without notice.

CATALOG #		TYPE
PROJECT/LOCATION		
APPROVED BY		

#### SPECIFICATIONS

- DRIVER — Universal Voltage 120/277V Electronic Driver is standard.
- EMERGENCY — LED — Remote.
- FINISH — Weather and Vandal Resistant Oven Baked Powder Coat Finish.
- GASKETING — High temperature, non-aging black EPDM and/or neoprene rubber concealed in housing.
- HOUSING — Die-Cast Aluminum Housing.
- LAMP — Light Emitting Diode [LED] comes standard.
- LENS — Opalescent Polycarbonate Diffuser.
- MOUNTING — Surface Wall Mount is ADA Compliant.
- COMPLIANCE — Built to comply with U.S. and Canadian Safety Standards. Suitable for Wet Locations. IP65 Tested and Approved. Meets Buy America / Buy American Act Requirements.
- WARRANTY — Standard 5 Years, defects and workmanship.

\*Consult Factory for Extended Conditional Warranty.



#### ORDERING INFORMATION

Series	Size	Mounting	Wattage	CCT	Voltage	Finish	Options

#### ORDERING GUIDE:

##### SERIES

FK = Frankfurt Series

##### SIZE

S = Small (6-1/3" Width x 8 1/4" Height x 3" Depth)  
L = Large (9" Width x 11 3/4" Height x 4 1/4" Depth)

##### LED WATTAGE

Refer to Below Chart for Size / Wattage Compatibility  
LED(xx) = LED (xx = Wattage, ex: LED20)

##### LED COLOR TEMPERATURE (CCT)

4K = ±4000K range

##### VOLTAGE

UNV = Universal Volt (120-277v) Electronic Driver

##### FINISH

BK = Black Finish  
BZ = Bronze Finish – STANDARD  
PNA = Painted Natural Aluminum  
WH = White Finish

##### CONTROL OPTIONS

9328 = Photozell Button (120/277V)  
OCC = Occupancy Sensing | Motion Sensor Integral<sup>Ⓜ</sup>  
— Microwave / Single Feed / 120/277V Only  
— Standby Dim Level Presets: ON/OFF (0%/100%)  
BLD = Bi-Level Dimming | Motion Sensor Integral<sup>Ⓜ</sup>  
— Microwave / Single Feed / 120/277V Only  
— Standby Dim Level Presets:  
10% / 20% / 30% (Standard) / 50%

##### EMERGENCY BATTERY OPTIONS <sup>Ⓢ</sup> <sup>Ⓣ</sup> <sup>Ⓤ</sup>

**No onsite Emergency Power (AC or DC) is provided**

##### Meets California Energy Commission Title 20:

(CEC-400-2014-009-CMF) Efficiency Standards

REL4W = Remote LED 4 Watt  
REL8W = Remote LED 8 Watt  
REL16W = Remote LED 16 Watt

##### NOTES:

- Ⓢ Consult Factory for additional Emergency options not shown
- Ⓣ Max mounting height of fixture is 18' (18 feet)
- Ⓤ Max WHIP length of the REL is 8 feet.
- Ⓠ Final selection of the Battery Pack under discretion of Factory

SIZE / WATTAGE		
Fixture	Frankfurt Small (FK-S)	Frankfurt Large (FK-L)
Dimensions - W x H x D	6-1/3" x 8 1/4" x 3"	9" x 11 3/4" x 4 1/4"
Light Emitting Diode	LED 20 Watt	LED 30 Watt

# Frankfurt

EURO WALL PACK FAMILY

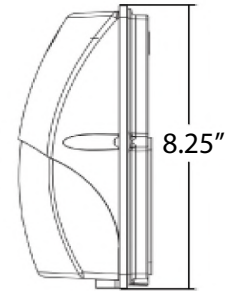
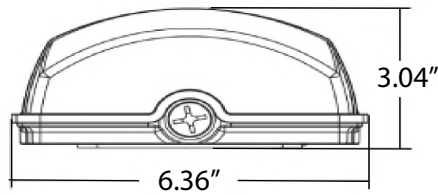
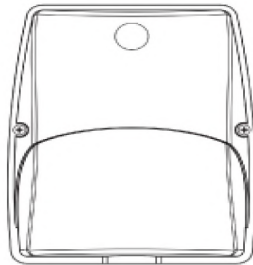
Surface Mount

Vandal Resistant LED

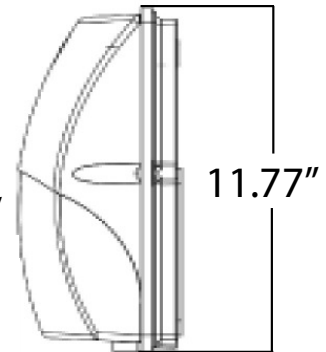
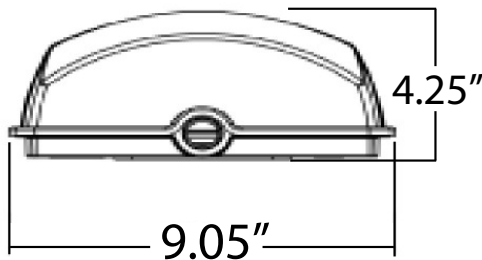
We reserve the right to revise the design or components of any product without notice.

CATALOG #		TYPE
PROJECT/LOCATION		
APPROVED BY		

## DIMENSIONS



Frankfurt Small (FK-S)



Frankfurt Large (FK-L)