

Dresden

Architectural Full Cutoff Wall Mounted Luminaire

Indoor/Outdoor



We reserve the right to revise the design or components of any product without notice.

CATALOG #		TYPE
PROJECT/LOCATION		
APPROVED BY		

SPECIFICATIONS

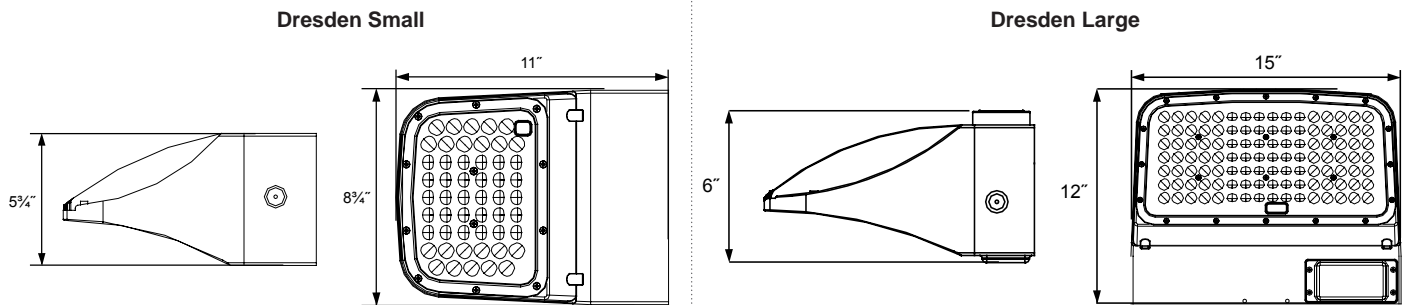
- DRIVER — Universal Voltage (120/277v), 50/60Hz Electronic Driver. <20% THD / PF <0.90. 0-10V low voltage dimming is standard, with dim level 100-10% (See Note 3 on Page 2). 347 and 480 Volt are optional. Standard internal surge protection of 6kV on all drivers.
- HOUSING — Die-cast Aluminum Housing with Full Cutoff frame. Features Integral heatsink and driver compartment.
- LENS — One-piece Molded Type IV Clear Polycarbonate Lens.
- FINISH — Bronze Textured Powdercoat Finish over a Chromate Covered Coating.
- LIGHT ENGINE — Energy efficient LED designed to replace HID lighting systems.
- MOUNTING — Mounts directly over a 4" Recessed Outlet Box. Includes user-friendly wall mount bracket with built-in level. Recommended mounting height of 12 to 25 feet.
- OPERATING TEMP — -40°C to +50°C Environment.
- COMPLIANCE — Built to comply with U.S. and Canadian safety standards. CSA listed for Wet Locations. ANSI/UL 1598, 8750. IP66 Sealed LED Compartment. Complies with Buy American Act. 3G Vibration Test Pending.
- WARRANTY — 5-Year Limited Warranty.



APPLICATIONS

- RETAIL CENTERS
- INDUSTRIAL PARKS
- SCHOOLS / UNIVERSITIES
- PUBLIC TRANSIT
- AIRPORTS
- OFFICE BUILDINGS
- MEDICAL FACILITIES

DIMENSIONS



ORDERING GUIDE:	Series	Size	LED Wattage	CCT	Voltage	Finish	Options

SERIES

DD = Dresden

SIZE

S = Small (8 3/4"W x 11"L x 5 3/4"D)
 L = Large (15"W x 12"L x 6"D)

LED WATTAGE

Dresden Small LED Wattages

LED30 = 30 Watt LED (100w HID Equivalent)
 LED45 = 45 Watt LED (175w HID Equivalent)
 LED85 = 85 Watt LED (175w HID Equivalent)

Dresden Large LED Wattages

LED95 = 95 Watt LED (175w HID Equivalent)
 LED135 = 135 Watt LED (250w HID Equivalent)
 LED190 = 190 Watt LED (400w HID Equivalent)

*Photometric Data available on pgs.2-3

LED COLOR TEMPERATURE (CCT)

4K = ±4000K range (80CRI)
 5K = ±5000K range (80CRI)

VOLTAGE

347 = 347 Volt (Available for Size Large ONLY)
 480 = 480 Volt (Available for Size Large ONLY)
 UNV = Universal Volt (120-277v) Driver

FINISH

BZ = Bronze Finish (STANDARD)
 CC = Custom Color (Consult Factory)

PHOTOCELL OPTIONS

9206 = Photocell Button – 120V
 9221 = Photocell Button – 277V
 PCT3 = Photocell: 3-Pin Twist Lock Receptacle (DD)
 PCT7 = Photocell: 7-Pin Twist Lock Receptacle (DD)
 — ANSI C136.41-2013

OPTIONS

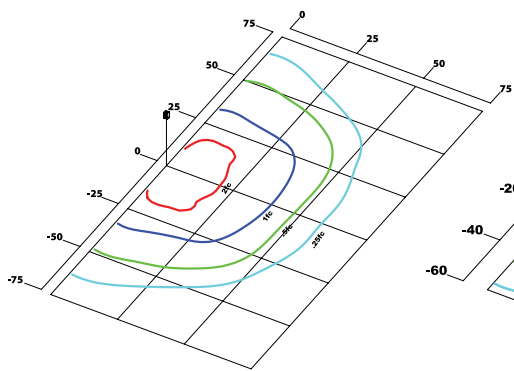
FUS = Single Fuse
 DFUS = Double Fuse
 MS11 = Motion Sensor Integral
 — Light Levels: OFF / ALL-ON
 — Max Mounting Height: 25ft or Less
 S23 = Motion Sensor Integral
 — 0-10V Dimming (120-277V Only)
 — Max Mounting Height: 25ft or Less
 SG = 10KA Surge Protection for LED fixtures
 (meets ANSI spec C62.41.2)

EMERGENCY BATTERY OPTIONS

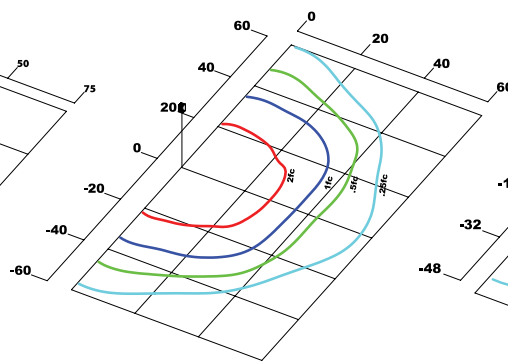
EL4W = Integral LED 4 Watt (90min Battery)
 — Compatible with Size Small: LED30 / LED45 Only
 — Compatible with Size Large: LED95 / LED135 Only
 — Operating Temp Range: -40°C - 50°C



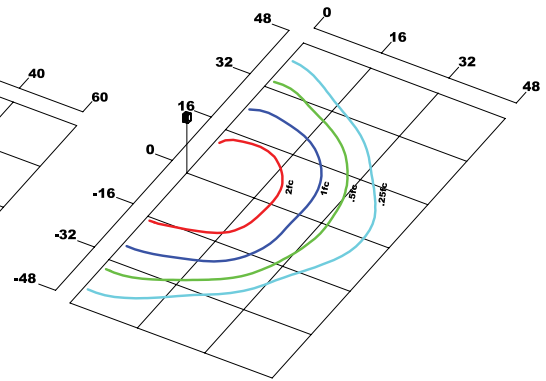
DRESDEN SMALL PHOTOMETRIC DATA



**Dresden Small LED 85 Watt 5000K
DD-S-LED85-5K-EBU**
Type IV
Grid in MH
MH = 25 Feet



**Dresden Small LED 85 Watt 5000K
DD-S-LED85-5K-EBU**
Type IV
Grid in MH
MH = 20 Feet



**Dresden Small LED 45 Watt 5000K
DD-S-LED45-5K-EBU**
Type IV
Grid in MH
MH = 16 Feet

DRESDEN SMALL PHOTOMETRIC PERFORMANCE

Led Wattage	Drive Current (mA)	Input Watts	Optics	5000K / 80 CRI					4000K / 80 CRI				
				Lumens	LPW	B	U	G	Lumens	LPW	B	U	G
30 Watt LED	525	28	Type IV	3,424	122	1	1	1	3,151	113	1	1	1
45 Watt LED	525	42	Type IV	4,604	110	1	1	1	4,459	106	1	1	1
85 Watt LED	525	84	Type IV	9,278	110	2	1	2	9,166	109	2	1	2

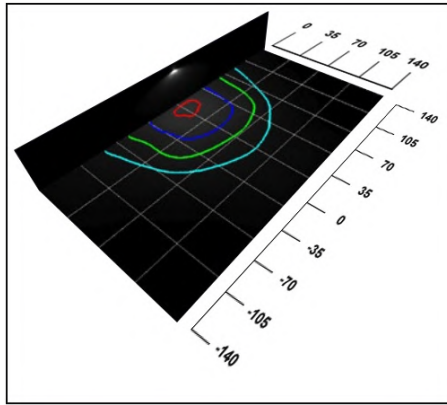
DRESDEN SMALL PROJECTED LUMEN MAINTENANCE

DATA SHOWN FOR 5000 CCT						
TM-21-11 ¹	Input Watts	Initial	25,000 Hrs ²	50,000 Hrs	100,000 Hrs	Calculated L70@ 25°C
L70 Lumen Maintenance @ 25°C / 77°F	84	1.00	0.99	0.98	0.95	646,000
L70 Lumen Maintenance @ 50°C / 122°F	84	1.00	0.98	0.97	0.93	455,000
L70 Lumen Maintenance @ 40°C / 104°F	84	1.00	0.98	0.97	0.94	320,000

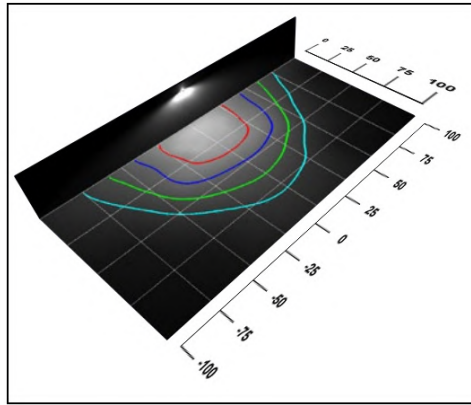
NOTES:

- 1 Projected per IESNA TM-21. Data references the extrapolated performance projections for the 525mA base model in a 25°C ambient, based on 10,000 hours of LED testing per IESNA LM-80-08.
- 2 Indicates suggested Light Loss Factor (LLF) to be used when comparing to Metal Halide (MH) systems.
- 3 Field wiring of 0-10V Dimming is NOT IMPLIED and may not be available. Luminaires are tested with Eclipse Lighting Inc. supplied controls and may not function properly with controls Supplied by Others.

DRESDEN LARGE PHOTOMETRIC DATA



**Dresden Large LED 190 Watt 5000K
DD-L-LED190-5K-EBU**
Type IV
Grid in MH
MH=35 Feet



**Dresden Large LED 190 Watt 5000K
DD-L-LED190-5K-EBU**
Type IV
Grid in MH
MH=25 Feet

DRESDEN LARGE PHOTOMETRIC PERFORMANCE

Led Wattage	Drive Current (mA)	Input Watts	Optics	5000K / 80 CRI					4000K / 80 CRI				
				Lumens	LPW	B	U	G	Lumens	LPW	B	U	G
95 Watt LED	525	93	Type IV	10,402	112	3	3	3	9,700	104	3	3	3
135 Watt LED	525	131	Type IV	14,689	112	3	3	3	13,697	105	3	3	3
190 Watt LED	525	188	Type IV	21,374	114	3	3	3	19,931	106	3	3	3

DRESDEN LARGE PROJECTED LUMEN MAINTENANCE

DATA SHOWN FOR 5000 CCT						
TM-21-11 ¹	Input Watts	Initial	25,000 Hrs ²	50,000 Hrs	100,000 Hrs	Calculated L70@ 25°C
L70 Lumen Maintenance @ 25°C / 77°F	188	1.00	0.99	0.98	0.95	646,000
L70 Lumen Maintenance @ 50°C / 122°F	188	1.00	0.98	0.97	0.93	455,000
L70 Lumen Maintenance @ 40°C / 104°F	188	1.00	0.98	0.97	0.94	320,000

NOTES:

- 1** Projected per IESNA TM-21. Data references the extrapolated performance projections for the 525mA base model in a 25°C ambient, based on 10,000 hours of LED testing per IESNA LM-80-08.
- 2** Indicates suggested Light Loss Factor (LLF) to be used when comparing to Metal Halide (MH) systems.