

# Dresden-T Series

**Vandal Resistant Full Cutoff Luminaire**  
**Tunable Wattage/CCT via Dipswitch**  
**IP65 Rated**

We reserve the right to revise the design or components of any product without notice.

CATALOG #		TYPE
PROJECT/LOCATION		
APPROVED BY		

## SPECIFICATIONS

- DRIVER — Universal Voltage 120/277V (50/60Hz) Electronic Driver is standard for LED.
- HOUSING — Heavy duty die-cast aluminum.
- LIGHT ENGINE — Energy Efficient Light Emitting Diode (LED). Power Factor:  $\geq 0.90$ . Ra  $> 70$ . LED Wattage can be adjusted to: 25%/50%/75%/100%. CCT can be adjusted to: 3K/4K/5k.
- LENS — UV-resistant polycarbonate refractor lens. Type III Distribution Optics.
- LIFETIME —  $> 50,000$ Hrs @ L70
- MOUNTING — Wall Mount.
- OPERATING / STORAGE TEMP —  $-22^{\circ}\text{F}$  to  $113^{\circ}\text{F}$  ( $-30^{\circ}\text{C}$  to  $45^{\circ}\text{C}$ ) /  $-40^{\circ}\text{F}$  to  $158^{\circ}\text{F}$  ( $-40^{\circ}\text{C}$  to  $70^{\circ}\text{C}$ )
- STORAGE HUMIDITY — RH  $< 95\%$
- SURGE PROTECTION — L-N: 2KV | L/N-PE: 4KV
- COMPLIANCE — Built to comply with U.S. and Canadian Safety Standards. cETL/ETL, DLC Listed. IK08 Rated. IP65 Rated - Suitable for Wet Locations.
- WARRANTY — 5-year Limited Warranty.



Series	LED Wattage	CCT	Voltage	Finish	Options

## ORDERING GUIDE:

### SERIES

DD-T = Dresden Tunable Series

### LED WATTAGE

Note: Wattage can be adjusted to 25%/50%/75%/100%  
 LED60 = 60 Watt LED (Replaces 200W HID)  
 — Tunable Watts: 15W | 30W | 45W | 60W

### LED COLOR TEMPERATURE

SCCT =  $\pm$ Selectable CCT: 3000K | 4000K | 5000K

### VOLTAGE

347 = 347 Volts  
 UNV = Universal Volt (120-277v) Driver

### FINISH

BK = Black Finish  
 BZ = Bronze Finish

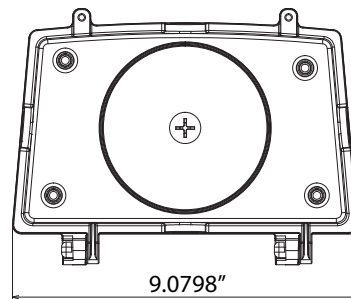
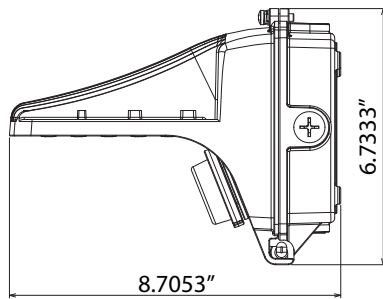
### DIMMING OPTIONS

D7 = 0-10VDC LED Dimming Driver

### CONTROL OPTIONS

9328 = Photocell Button (120/277V)  
 OCC = Occupancy Sensing | Motion Sensor Integral  
 — Microwave / Single Feed / 120/277V Only  
 — Standby Dim Level Presets: ON/OFF (0%/100%)

## DIMENSIONS



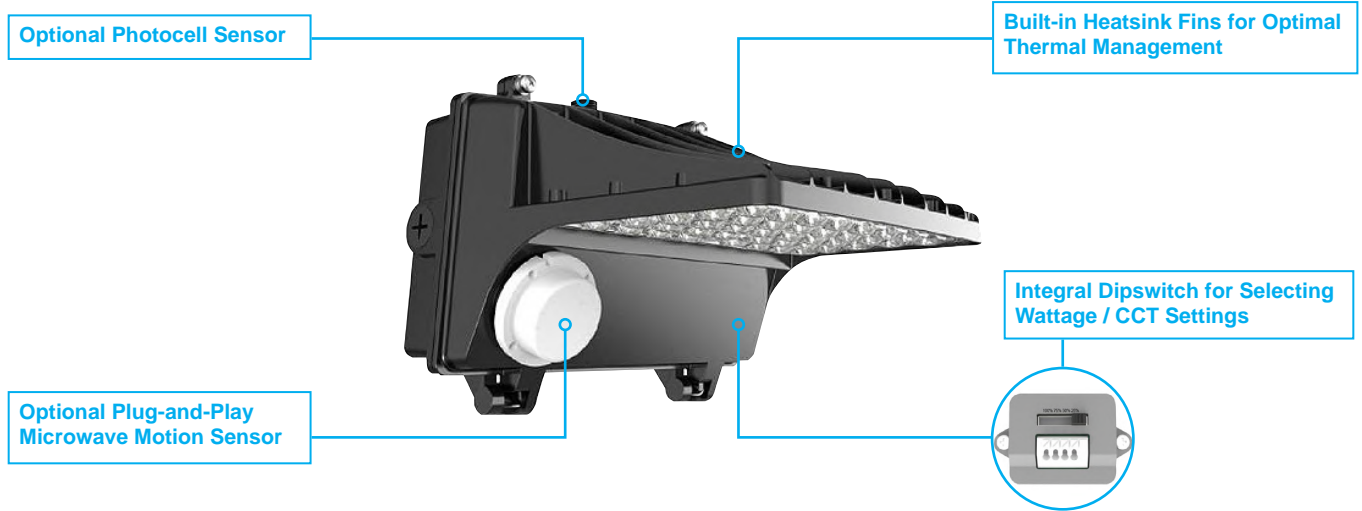
# Dresden-T Series

*Vandal Resistant Full Cutoff Luminaire*  
*Tunable Wattage/CCT via Dipswitch*  
*IP65 Rated*

We reserve the right to revise the design or components of any product without notice.

CATALOG #		TYPE
PROJECT/LOCATION		
APPROVED BY		

## FEATURES / OPTIONS



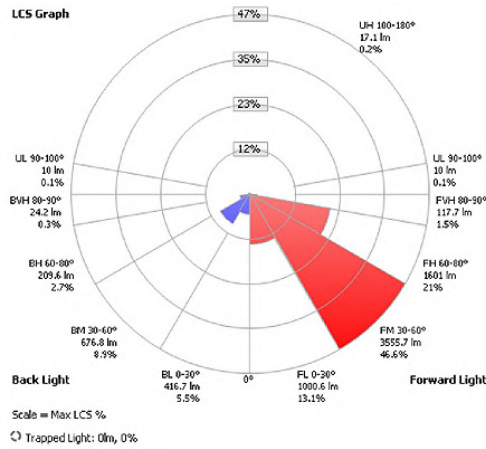
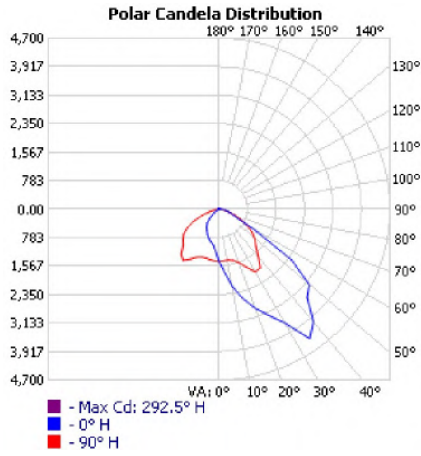
## TUNABLE WATTAGE



## TUNABLE CCT



Summary of Results						
Lamp Output	Lumen Efficacy	Input Voltage	Input Wattage	Distribution Type	Color Temp	BUG Rating
7628.4 Lumens	132.9 LPW	120.2V	57.4W	Type III - Medium	4000K	B1-U2-G2



LCS Summary	
Zone	Lumens
Forward Low (0-30)	1,000.6
Forward Medium (30-60)	3,555.7
Forward High (60-80)	1,601.0
Forward Very High (80-90)	117.7
Back Low (0-30)	416.7
Back Medium (30-60)	676.8
Back High (60-80)	209.6
Back Very High (80-90)	24.2
Up Low (90-100)	10.0
Up High (100-180)	17.1